



Round cable entry plates for single cable

FEATURES

- Metric size
- Quick installation
- Cost effective
- High degree of protection (IP67)
- Grey color

The cable entry RCS series allow single cables without connectors to pass through walls up to 4mm thick. Simply puncture the outer membrane slightly and push the cable through the grommet. They are available in gray for cable diameters from 4 to 34mm.

Material: EPDM, halogens and silicones free

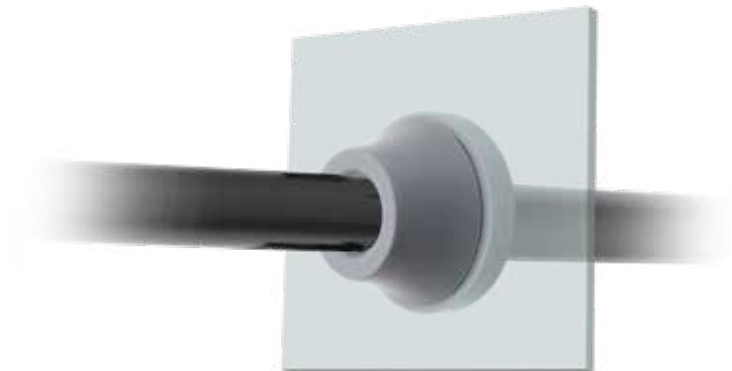
Flammability: self-extinguishing sec. UL94-V0

Temperature: -40°C... +110°C (statica)

Wall thickness: from 0,5 a 4 mm

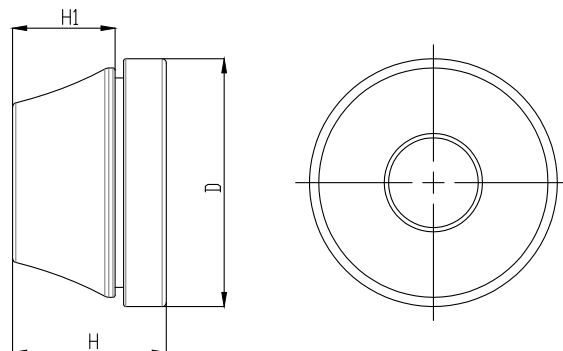
RELATED PRODUCTS

- HY360 hydraulic punch driver (pag. 139)



Model	Code	Nr. Cables / Ø (mm)	Ø Hole (mm)	Dimensions (mm)			Wall thickness (mm)	Pcs (/pack)
				H	H1	D		
RCS M12G	1732067012	1 / 3-5	12,5	17,3	10,5	20	0,5 - 2	100
RCS M16G	1732067016	1 - 5-9	16,5	19	11,5	21	0,5 - 2	
RCS M20G	1732067020	1 - 7-13	20,5	20,5	12,7	25,5	0,5 - 2	
RCS M25G	1732067025	1 - 10-17	25,5	22,6	15,5	31	0,5 - 2	
RCS M32G	1732067032	1 - 14-20	32,5	25,5	17,5	39	1-4	
RCS M40G	1732067040	1 - 19-26	40,5	30	20,4	48	1-4	
RCS M50G	1732067040	1 - 26-34	50,5	36	23,9	58,6	1-4	

Dimensions (mm)



up to
IP66
IP67



RoHS
COMPLIANT