



DES PDM CLEAN



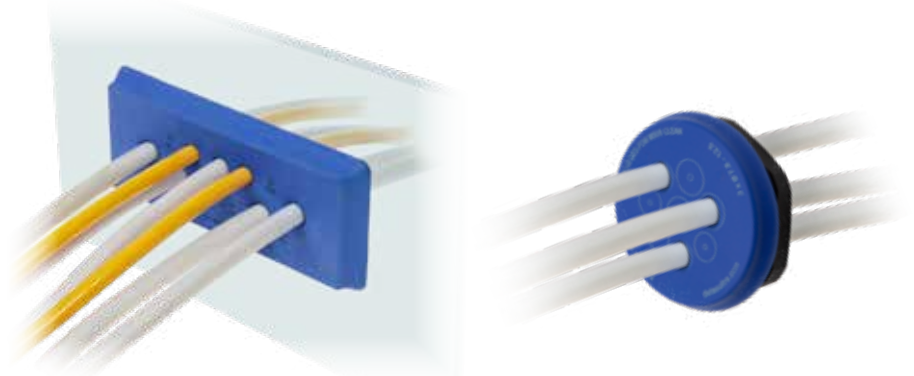
Cable entry plate for Food&Pharma applications

FEATURES

- For large number cables without connectors
- Internal reinforcing frame
- Rounded edges
- UL94-HB
- Fixing with snap mounting, screws or locknut

The DES PDM CLEAN Family is mainly used in the food&pharma production thanks to the rounded shape without edges which avoids dirt accumulation and allows frequent washing. The cable entry plate can be fixed to the panel from the inside with four hidden screws or screwed on the panel. The holes location is guided by a laser printing which guarantees the front clean area during the operation. The first front membrane is lightly drilled with a small screwdriver, while the second parallel membrane acts as a reinforcement, ensuring a very high strain relief and water resistance.

Material: TPE, halogens and silicones free
Flammability: self-extinguishing acc. UL94-HB
Temperature: -40°C... +80°C

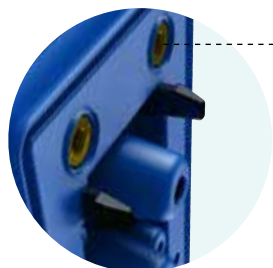
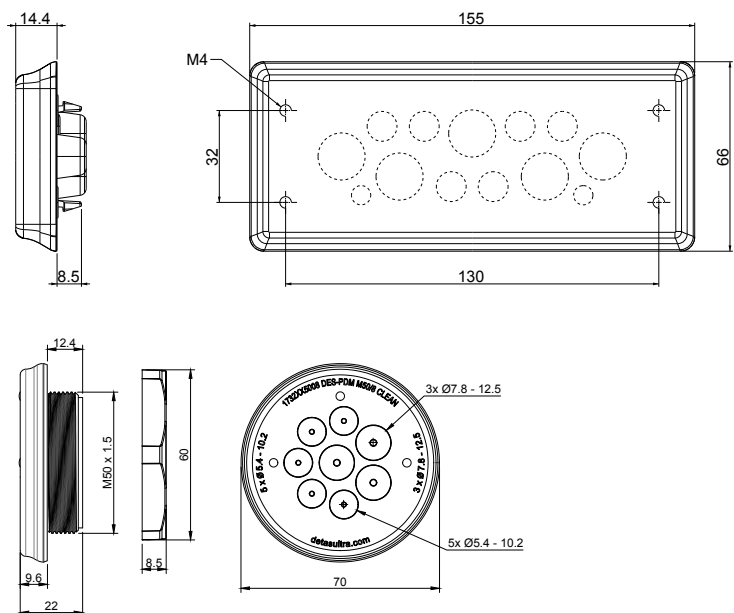


Model	Code	Nr. Cables	Ø Cable min/max (mm)	Dimensions (mm)		Pcs (/pack)
				Cut-out	Plate	
DES PDM 24/13 CLEAN	1732025017	2	2,8 / 6,5	112 x 36	155 x 66	1
		6	4,6 / 10,2			
		5	8,6 / 16,2			
DES PDM 24/25 CLEAN	1732025025	12	2,8 / 6,5	112 x 36	155 x 66	1
		7	4,4 / 9,7			
DES PDM 24/32 CLEAN	1732025032	21	2,8 / 6,5	112 x 36	155 x 66	1
		8	4,6 / 10,2			
DES PDM M50/8 CLEAN	1732036108	3	7,8 / 12,5	55	70	1
		5	5,4 / 10,2			

RELATED PRODUCTS

- IFP plugs (page 92)
- FVM - Metal detectable cable ties (page 104)
- HY360 hydraulic punch driver (page 139)
- PF/PFX cable entry system plates (from page 140)

Dimensions (mm)



Snap mounting and M4 threaded inserts

