



# DES 24MX15



Splittable frame for cables with and without connectors

## FEATURES

- Multiple configurations in the same frame
- Frame screws in AISI304 Stainless Steel
- IP54
- Strain relief acc. to EN 62444
- Sturdy construction IK10
- External gasket included


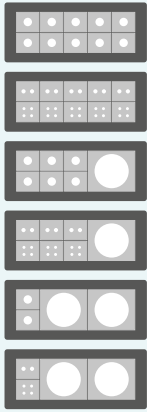


The DES 24MX15 splittable frame allow up to 60 cables with or without connector or one or two cables up to 35mm diameter to pass through electric cabinet or machines walls. The small and big grommets can be freely positioned inside the frame. The DES 24MX15 is tightened thanks to three stainless steel screws on the right side.

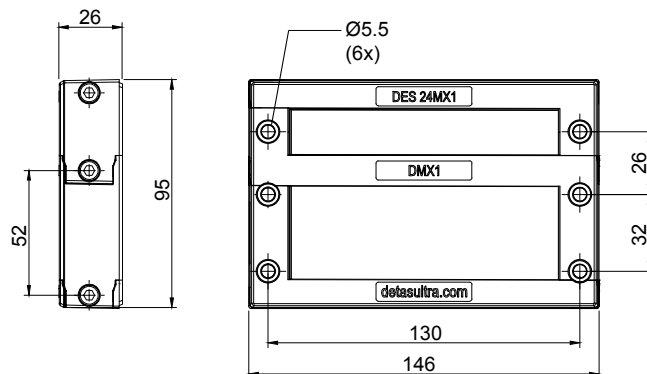
**Material:** PP+GF, halogens and silicones free  
**Flammability:** self-extinguishing acc. to UL94-V0  
**Temperature:** -40°C... +155°C (static)

## RELATED PRODUCTS

- SPP grommets (from page 46)
- SPG grommets (from page 52)

Model	Code	Some possible configurations	Dimensions (mm)	Max. cut-out (mm)	Pcs (/pack)
 DES 24MX15	1731010215		146 x 95,4	114 X 70	1
Upon request	1731991020	Set of 4 mounting screws in AISI304 with Black Geomet finishing			

## Dimensions (mm)



IP54

NEMA 12



ECOLAB



IK10