



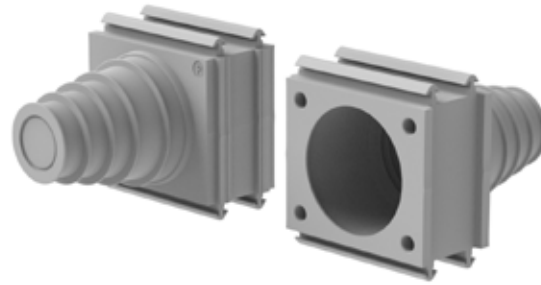
SPG P ATEX



SPP multi-range grommets with pyramidal shape

FEATURES

- Universal solution for cables without connectors from 17 to 33 mm diameter
- Can be used on all DES Frames and divisible cable glands
- IP66
- UL94-V0 for both grey and black colors



The SPG P ATEX grommets are suitable for cables without connectors. They are used cutting the cone corresponding to the diameter of the cable. The cable is then routed into the grommet where the internal shape is increasing the strain relief.

Is it also possible to secure the cable with a cable tie.

SPG P ATEX series can be used in zone 2 and 22.



Material: TPE, halogens and silicones free

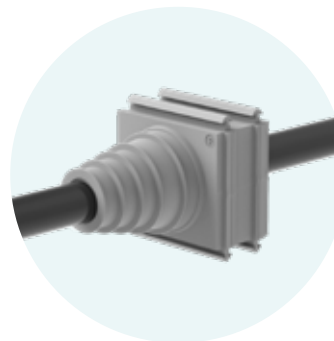
Flammability: self-extinguishing acc. to UL94-V0

Temperature: -40°C... +110°C (static)

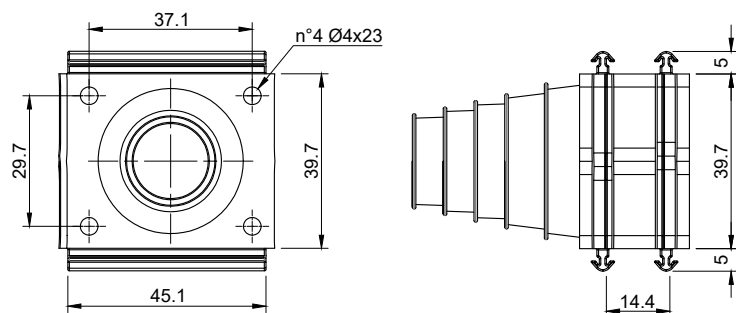
RELATED PRODUCTS

- DES FRAMES
- DESPRED

Model	Code	Thread	Pcs (/pack)
 SPG PGA	1731320745	17 - 33	10
 SPG PBA	1731320748		10



Dimensions (mm)



* Indoor only



IP66

NEMA 12, 4X*



ECOLAB

