



# DES PDP ATEX



## Round base, cone-shaped cable entry plate with locknut

### FEATURES

- For diameters from 2,5 to 64 mm
- Reinforcing base plate
- Cost efficient solution
- UL94-V0 for grey and black

The DES PDP is available in M25, M32, M40, M50, M63 and M75 sizes, enabling non-terminated cables with diameter from 2,5 to 64 mm to pass through the walls of the electrical cabinets.

The reinforcing base plate increases the stability when large cables are used.

**DES PDP ATEX series can be used in zone 2 and 22.**

**Material:** TPE, halogens and silicones free

**Flammability:** self-extinguishing acc. to UL94-V0

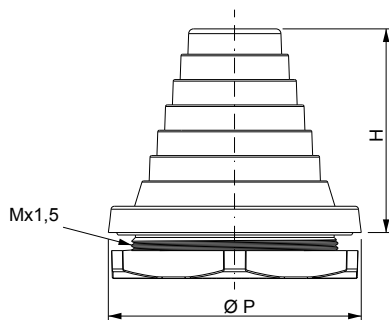
**Temperature:** -40°C... +110°C (static)

### RELATED PRODUCTS

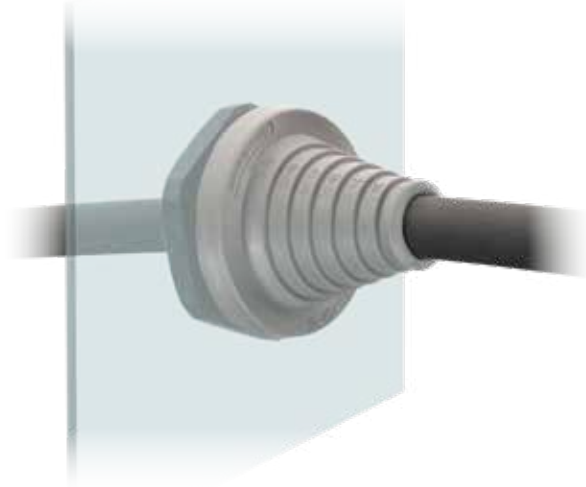
- HY360 hydraulic punch driver (page 139)



### Dimensions (mm)



\* Indoor only



Model	Code	Nr. Cables	Ø Cable min/max (mm)	Thread	Dimensions (mm)			Pcs x conf.
					Cut-out	ØP	H	
DES PDP 25GA	1732350025	1	2,5 / 17	M25	25,5	39	46.5	10
DES PDP 32GA	1732350032	1	5 / 23	M32	32,5	46	55.2	
DES PDP 40GA	1732350040	1	8 / 29	M40	40,5	54	62	
DES PDP 50GA	1732350050	1	17 / 42	M50	50,5	64	50	
DES PDP 63GA	1732350063	1	23 / 55	M63	63,5	77	62	
DES PDP 75GA	1732350075	1	38 / 64	M75	75,5	89	64	

Model	Code	Nr. Cables	Ø Cable min/max (mm)	Thread	Dimensions (mm)			Pcs x conf.
					Cut-out	ØP	H	
DES PDP 25BA	1732352025	1	2,5 / 17	M25	25,5	39	46.5	10
DES PDP 32BA	1732352032	1	5 / 23	M32	32,5	46	55.2	
DES PDP 40BA	1732352040	1	8 / 29	M40	40,5	54	62	
DES PDP 50BA	1732352050	1	17 / 42	M50	50,5	64	50	
DES PDP 63BA	1732352063	1	23 / 55	M63	63,5	77	62	
DES PDP 75BA	1732352075	1	38 / 64	M75	75,5	89	64	



up to IP66

up to NEMA 12, 4X\*

UL TYPE 12

