



DES PDM KN ATEX



Cable entry plate - large frame and double membrane

FEATURES

- For up to 72 cables without connectors
- High strain relief thanks to the double membrane
- Internal reinforcing frame
- Cost efficient solution
- High IP grade (IP66)



The DES PDM KN are multi cable entry plates suitable for cabinet side or bottom. According to cable size and quantities it is possible to find the right model. The fixing holes are for Rittal cabinets. The cable is pushed through the front membrane, whilst the second membrane increases the strain relief and liquid resistance.

DES PDM KN ATEX series can be used in zone 2 and 22.

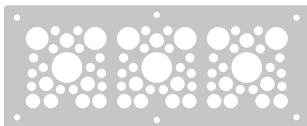
Material: TPE, halogens and silicones free

Flammability: self-extinguishing acc. to UL94-V0

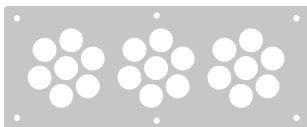
Temperature: -40°C... +110°C (static)

RELATED PRODUCTS

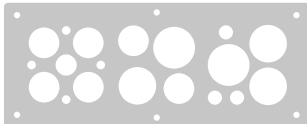
- Tappi IFP (pag. 92)
- DES PDM CAPS (pag. 92)



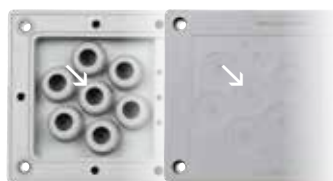
KN/72



KN/21



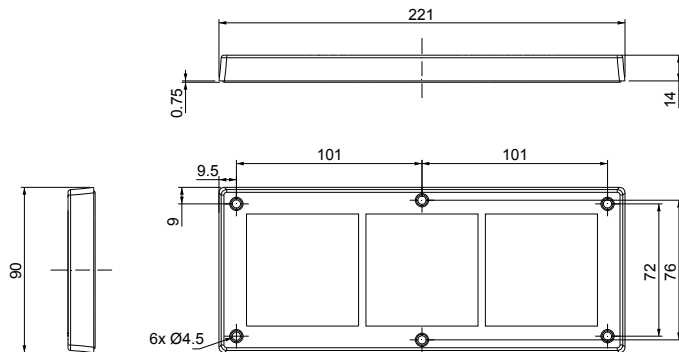
KN/19



Double parallel membrane

Model	Code	Nr. Cables	Ø Cable min/max (mm)	Dimensions (mm)		Pcs (/pack)
				Cut-out	Plate	
DES PDM KN/72GA	1732340072	42	2,8 / 6,5	192 x 62	221 x 90	1
		21	4,6 / 10,2			
		6	8,6 / 16,2			
DES PDM KN/72BA	1732341073	3	14,5 / 22			
DES PDM KN/21GA	1732340021	21	9,5 / 17	192 x 62	221 x 90	1
DES PDM KN/21BA	1732341022					
DES PDM KN/19GA	1732340019	4	3 / 6	192 x 62	221 x 90	1
DES PDM KN/19BA	1732341020	3	5 / 10			
		1	9 / 15			
		6	14 / 22			
		3	19 / 27			
		2	22/30			

Dimensions (mm)



IP66

NEMA 12

UL TYPE 12



ECOLAB



RoHS COMPLIANT

