



SPG P



SPP multi-range grommets with pyramidal shape

FEATURES

- Universal solution for cables without connectors from 17 to 33 mm diameter
- Can be used on all DES Frames and divisible cable glands
- IP66
- UL94-V0 for both grey and black colors





The SPG P grommets are suitable for cables without connectors. They are used cutting the cone corresponding to the diameter of the cable. The cable is then routed into the grommet where the internal shape is increasing the strain relief. Is it also possible to secure the cable with a cable tie.

Material: TPE, halogens and silicones free

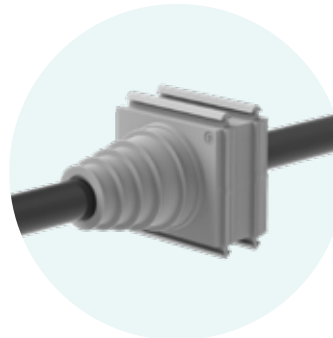
Flammability: self-extinguishing acc. to UL94-V0

Temperature: -40°C... +110°C (static)

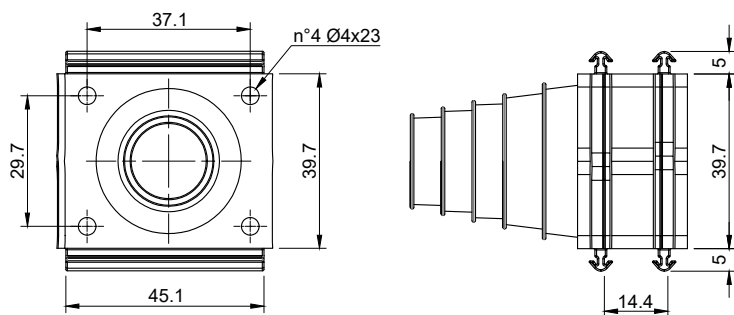
Model	Code	Cable diameter range (mm)	Pcs (/pack)
 SPG PG	1731020745	17 - 33	10
 SPG PB	1731020748		10

RELATED PRODUCTS

- DES FRAMES
- DESPRED
- DESCLICK 50



Dimensions (mm)



* Indoor only



IP66

NEMA 12, 4X*



ECOLAB

UL94-V0



RoHS COMPLIANT

