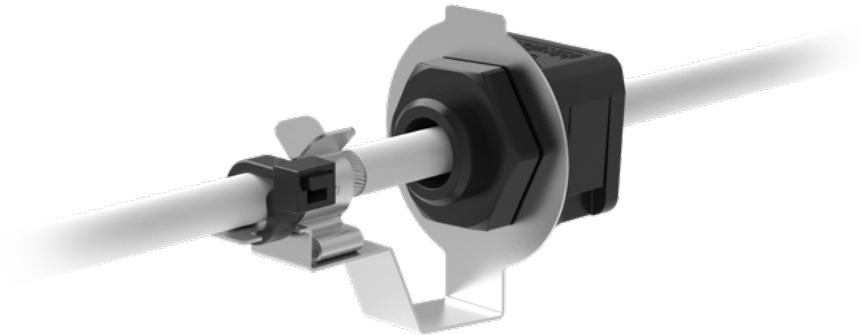




## EMC bracket with strain relief for OSF family

- ▶ Stainless steel bracket for grounding the cable shield
- ▶ Quick installation on OSF divisible cable glands
- ▶ Cable strain relief with cable tie

**NEW**



Model	Code	Clamp dimensions H [mm]	Pcs /pack
BROSF-16-1,5-3	1734052316	16,5	10
BROSF-16-3-6	1734052317	16,5	
BROSF-20-1,5-3	1734052320	20,5	10
BROSF-20-3-6	1734052321	20,5	
BROSF-25-1,5-3	1734052325	25,5	10
BROSF-25-3-6	1734052326	25,5	
BROSF-32 -1,5-3	1734052332	32,5	10
BROSF-32 -3-6	1734052333	32,5	

The OSF EMC brackets allow grounding and strain relief of the shielded cables when installed in the OSF splittable cable glands family.

There are 4 models for the relevant metric openings M16, M20, M25 and M32 with two models of shield clips from 1.5 to 6 mm. Other diameters can be supplied upon request.

### Technical data

**Material:** Stainless steel SS304

### Related products

OSF  
OSF 90

Other models on request

### Dimensions [mm]

