

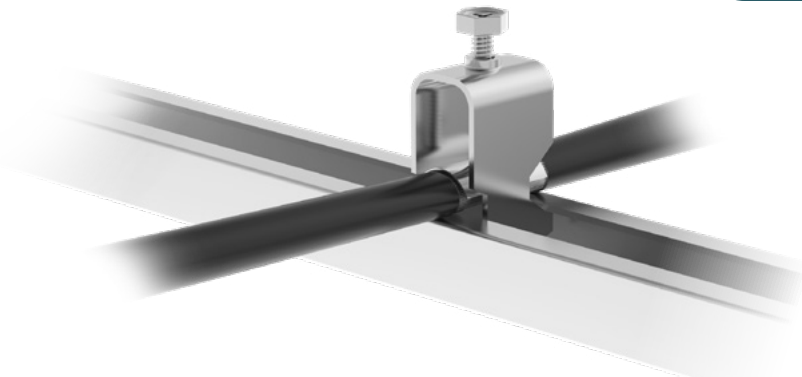


MST

Shield clamp for C 30mm rail

NEW

- ▶ Suitable for cable diameters from 6 to 42 mm
- ▶ Installation on C rail 30 mm
- ▶ Snap-in assembly with tightening nut
- ▶ Cost effective



Model	Code	Clamping range [mm]	Dimensions [mm]		Pz /pack
			B	H	
MST 6-12	1734040512	6 - 12	21	70	10
MST 12-18	1734040518	12 - 18	23	70	
MST 18-22	1734040522	18 - 22	27	70	
MST 22-30	1734040530	22 - 30	39	85	
MST 30-38	1734040538	30 - 38	45	90	
MST 38-42	1734040542	38 - 42	47	95	

The MST shield clamps enable the cable shield to be grounded easily and effectively. The MST shield clamps are used on the C 30 mm rail and they are secured tightening the screw which is also making strain relief function.

Technical data

Material: zinc plated steel



Dimensions [mm]

