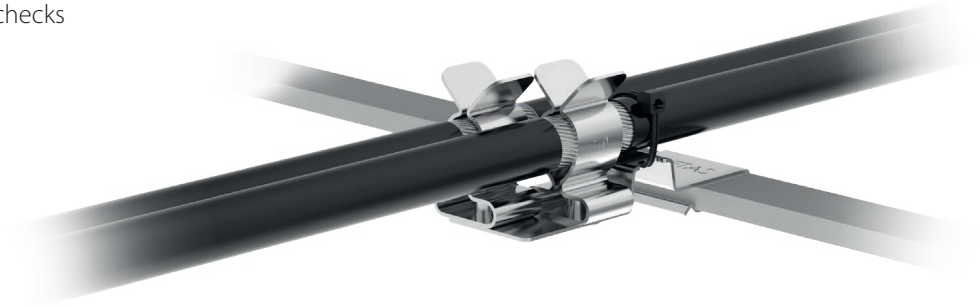




# MSRP/MSRC

## Shield clamps for 10 x 3 mm busbar

- ▶ Suitable for a range of cables from 1,5 to 9 mm
- ▶ Shield grounding and strain relief functions in a single device
- ▶ Snap-in assembly, no need to use tools
- ▶ Constant pressure of the clamp on the cable sheath without having to run tests and checks



Model	Code	Clamping range [mm]	Dimensions [mm] H	Pcs /pack
MSRP 1.5-3 V2	1734040111	1,5 - 3	16,5	50
MSRP 3-6*	1734040120	3 - 6	19,1	
MSRC 3-7	1734040121	3 - 7	27,2	
MSRC 6-8	1734040122	6 - 8	XX	
MSRP 7-9*	1734040130	7 - 9	21,4	

The MSRP/MSRC shield clamps allow to easily and effectively earthing the cable shielding and guarantee the strain relief function on the cable fixing a cable tie.

The special construction shape allows side-by-side mounting on a 3x10 busbar, allowing significant space savings on the cabinet.

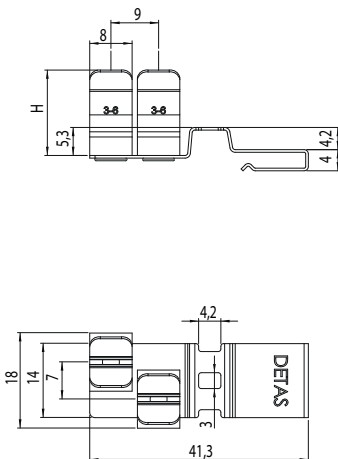
### Technical data

**Material:** spring steel, zinc plated

\*Not available for the german market

### Dimensions [mm]

#### MSRP



#### MSRC

