



DES PMH 6



Cable entry plates with internal frame and double membrane

FEATURES

- Compact dimensions, ultra-thin
- For a large number of cables without connectors
- High strain relief thanks to the double membrane
- Space saving and cost-effective solution
- IP66
- Threaded inserts version on request



The DES PMH6 is an innovative alternative to standard cable glands for machinery cabinets and equipment. Its ultra-thin design allows installation in limited spaces while maintaining excellent stability thanks to the integrated rigid frame. The cable is inserted through the front membrane, while the second membrane enhances strain relief and ensures liquid-tight sealing.

Material: TPE+PA66, halogen-free, silicone-free

Flammability: self-extinguishing acc. to UL94-V0

Temperature: -40°C... +105°C (static)

Material successfully tested for UV and water exposure resistance according to UL 746C related procedures, suitable for outdoor applications.

RELATED PRODUCTS

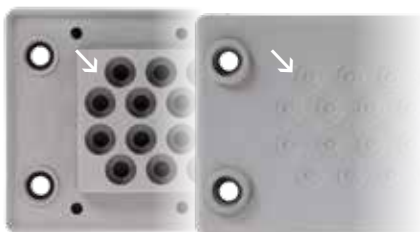
- IFP plugs (page 117)
- Intumescent gasket (page 178)

Model	Code		NC	ØC
DES PMH 6/12G	1732010612		12	4,4 / 8,1
Cut-out (mm)	Plate (mm)	Pcs/pack		
36 x 52	87 x 55,6	10		

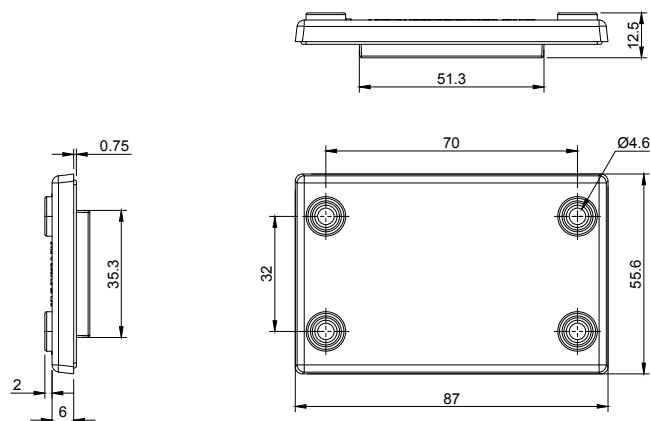
Model	Code		NC	ØC
DES PMH 6/18G	1732010618		18	3,1 / 6,5
Cut-out (mm)	Plate (mm)	Pcs/pack		
36 x 52	87 x 55,6	10		

NC: Number of cables **ØC:** Diameter of cables - min/max (mm)

Dimensions (mm)



Double membrane



IP54
IP66



ECOLAB



© Detas SpA - ISO9001/ ISO14001 certified company
Via Tre Ponti, 29 - 25086 Rezzato BS - Italy - Tel. +39 030 2594120
info@detasultra.com - www.detasultra.com