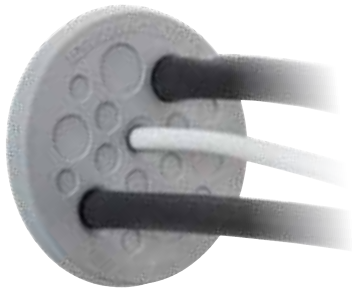




DES PM M



Round cable entry plates with double membrane



NC: Number of cables
ØC: Diameter of cables - max (mm)

Model	Code
● DES PM M 25/4G	1732062504
● DES PM M 25/4B	1732063505

Apertura	Passacavo	Pz/conf.
min: 25 mm max: 26 mm cons: 25,5 mm	ø 34 mm	10

NC	ØC
4	8

TYPE 1

FEATURES

- For a large number of cables
- High retaining force thanks to the double membrane
- Cost efficient solution
- High IP protection (IP65)
- Metric sizes

The round metric DES PM M is an alternative to standard cable glands on electrical, electronic and telecommunication cabinets and equipment. The cable is pushed through the front membrane, whilst the second membrane increases the strain relief and liquid resistance.

Material: TPE, halogens and silicones free

Flammability: self-extinguishing acc. to UL94-V0

Temperature: -40°C... +105°C (static)

Wall thickness:

- Type 1 - from 1,5 to 2,5 mm
- Type 2 - from 2,8 to 4 mm

RELATED PRODUCTS

- IFP plugs (page 97)
- HY360 hydraulic punch driver (page 148)

Model	Code
● DES PM M 25/6G	1732062506
● DES PM M 25/6B	1732063507

Apertura	Passacavo	Pz/conf.
min: 25 mm max: 26 mm cons: 25,5 mm	ø 34 mm	10

NC	ØC
4	5,2
2	9,4

TYPE 1

Model	Code
● DES PM M 32/10G	1732063210
● DES PM M 32/10B	1732064211

Apertura	Passacavo	Pz/conf.
min: 32 mm max: 33 mm cons: 32,5 mm	ø 40 mm	10

NC	ØC
6	5,2
2	6,4
2	9,4

TYPE 1

Model	Code
● DES PM M 32/10G	1732263210
● DES PM M 32/10B	1732264211

Apertura	Passacavo	Pz/conf.
min: 32 mm max: 33 mm cons: 32,5 mm	ø 40 mm	10

NC	ØC
6	5,2
2	6,4
2	9,4

TYPE 2

Model	Code
● DES PM M 40/16G	1732064016
● DES PM M 40/16B	1732064017

Apertura	Passacavo	Pz/conf.
min: 40 mm max: 41 mm cons: 40,5 mm	ø 52 mm	10

NC	ØC
2	3,8
10	5,3
2	8,3
2	10,3

TYPE 1



Double parallel membrane



IP65

NEMA 12

UL TYPE 12



ECOLAB

UL94-V0



RoHS COMPLIANT



DES PM M



Round cable entry plates with double membrane

Model	Code
● DES PM M 40/9G	1732064009
● DES PM M 40/9B	1732064012

Apertura	Passacavo	Pz/conf.
min: 40 mm max: 41 mm cons: 40,5 mm	∅ 52 mm	10

NC	∅C
1	12
10	9,5

TYPE 1

Model	Code
● DES PM M 50/9G	1732065009
● DES PM M 50/9B	1732066010

Apertura	Passacavo	Pz/conf.
min: 50 mm max: 51 mm cons: 50,5 mm	∅ 62 mm	10

NC	∅C
5	7
4	18,3

TYPE 1

Model	Code
● DES PM M 50/11G	1732065011
● DES PM M 50/11B	1732066012

Apertura	Passacavo	Pz/conf.
min: 50 mm max: 51 mm cons: 50,5 mm	∅ 62 mm	10

NC	∅C
7	7
3	11,4
1	22

TYPE 1

Model	Code
● DES PM M 50/12G	1732065012
● DES PM M 50/12B	1732066013

Apertura	Passacavo	Pz/conf.
min: 50 mm max: 51 mm cons: 50,5 mm	∅ 62 mm	10

NC	∅C
10	9
2	11

TYPE 1

Model	Code
● DES PM M 50/12G	1732265012
● DES PM M 50/12B	1732266013

Apertura	Passacavo	Pz/conf.
min: 50 mm max: 51 mm cons: 50,5 mm	∅ 62 mm	10

NC	∅C
10	9
2	11

TYPE 2

Model	Code
● DES PM M 50/15G	1732065015
● DES PM M 50/15B	1732066016

Apertura	Passacavo	Pz/conf.
min: 50 mm max: 51 mm cons: 50,5 mm	∅ 62 mm	10

NC	∅C
2	6
4	7,2
4	9,7
5	12

TYPE 1

Model	Code
● DES PM M 50/17G	1732065017
● DES PM M 50/17B	1732066018

Apertura	Passacavo	Pz/conf.
min: 50 mm max: 51 mm cons: 50,5 mm	∅ 62 mm	10

NC	∅C
5	5,5
5	6,5
3	9,7
4	11,4

TYPE 1

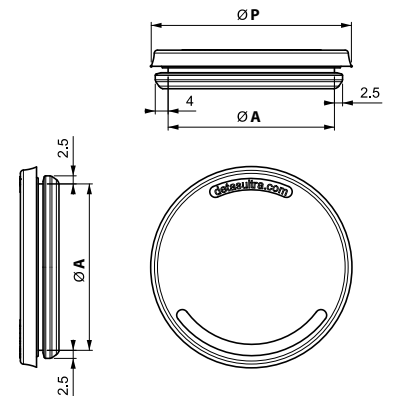
Model	Code
● DES PM M 50/20G	1732065020
● DES PM M 50/20B	1732066021

Apertura	Passacavo	Pz/conf.
min: 50 mm max: 51 mm cons: 50,5 mm	∅ 62 mm	10

NC	∅C
16	6,5
4	9,7

TYPE 1

Dimensions (mm)



* Indoor only



IP65

NEMA 12

UL TYPE 12



ECOLAB

UL94-V0



RoHS COMPLIANT

