



# DES PDM S



## Cable entry plates with internal frame and double membrane

### FEATURES

- For several number of cables in a limited space
- High strain relief thanks to the double membrane
- Cost efficient solution
- High IP grade (IP66)
- ATEX version on request (Group 7)
- Threaded inserts version on request



Double parallel membrane



The DES PDM S is an innovative alternative to standard cable glands on electrical, electronic and telecommunication cabinets and equipment.

The cable is pushed through the front membrane, whilst the second membrane increases the strain relief and liquid resistance.





**Material:** TPE, halogens and silicones free

**Flammability:** self-extinguishing acc. to UL94-V0

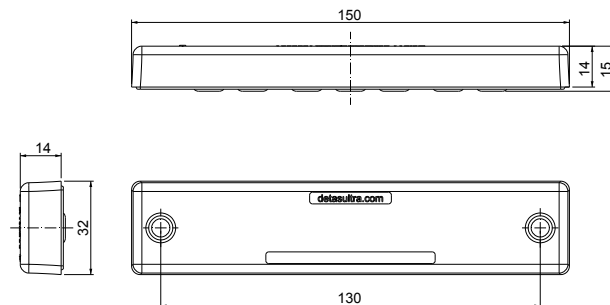
**Temperature:** -40°C... +110°C (static)

### RELATED PRODUCTS

- IFP plugs (page 92)
- DES PDM caps (page 92)

Model	Code	Nr. Cables	Ø Cable min/max (mm)	Dimensions (mm)		Pcs (/pack)
				Cut-out	Plate	
 DES PDM S 112/7G	1732021127	7	6,8 / 12	112x18	150 x 32	10
 DES PDM S 112/22G	1732021122	22	3,2 / 6,5			
 DES PDM S 112/7B	1732022127	7	6,8 / 12			
 DES PDM S 112/22B	1732022122	22	3,2 / 6,5			

### Dimensions (mm)



IP66

NEMA 12

UL TYPE 12



ECOLAB



RoHS COMPLIANT

