

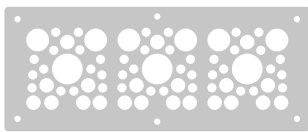


DES PDM KN

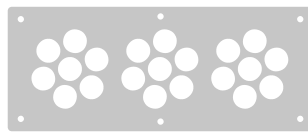


Cable entry plate - large frame and double membrane

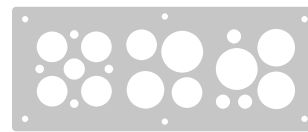
- ▶ For up to 72 cables without connectors
- ▶ High strain relief thanks to the double membrane
- ▶ Internal reinforcing frame
- ▶ Cost efficient solution
- ▶ High IP grade (IP66)
- ▶ ATEX version on request (see group 7)



KN/72



KN/21



KN/19

Model	Code	Cable nr.	Ø Cable min/max [mm]	Dimensions [mm]		Pcs /pack
				Cut-out	Plate	
DES PDM KN/72G	1732040072	42 -	2,8 / 6,5	192 x 62	221 x 90	1
DES PDM KN/72B	1732041073	21 -	4,6 / 10,2			
		6 -	8,6 / 16,2			
		3 -	14,5 / 22			
DES PDM KN/21G	1732040021	21 -	9,5 / 17	192 x 62	221 x 90	1
DES PDM KN/21B	1732041021					
DES PDM KN/19G	1732040019	4 -	3 / 6	192 x 62	221 x 90	1
		3 -	5 / 10			
		1 -	9 / 15			
		6 -	14 / 22			
DES PDM KN/19B	1732041020	3 -	19 / 27			
		2 -	22 - 30			

The DES PDM KN are multi cable entry plates suitable for cabinet side or bottom. According to cable size and quantities it is possible to find the right model.

The fixing holes are for Rittal cabinets.

The cable is pushed through the front membrane, whilst the second membrane increases the strain relief and liquid resistance.

Technical data

Material: TPE

Flammability: self-extinguishing acc. to UL94-V0

Temperature: -40°C... +110°C (static)

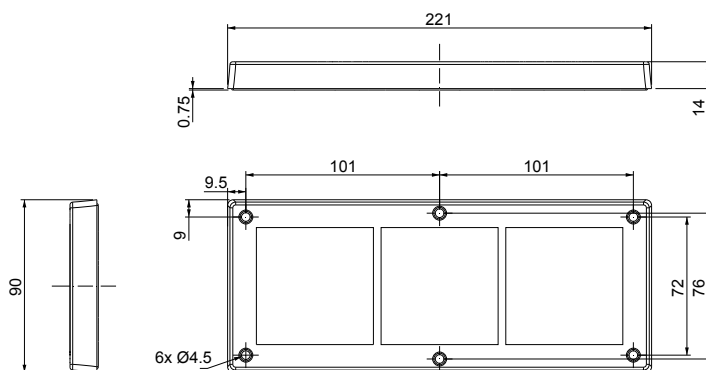
Features: halogens and silicones free

Related products

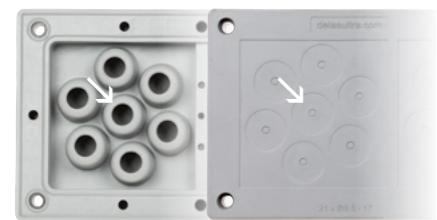
IFP plugs (page 85)

DES PDM caps (page 85)

Dimensions [mm]



Double parallel membrane



IP66

NEMA 12

UL TYPE 12



ECOLAB



ROHS COMPLIANT

