



DES PDM 10



Cable entry plates with internal frame and double membrane

FEATURES

NEW

- Compact dimensions
- For a large number of cables without connectors
- High strain relief thanks to the double membrane
- Space saving and cost efficient solution
- IP66 and Nema 4X*
- Threaded inserts version on request

The DES PDM 10 is an innovative alternative to standard cable glands on electrical, electronic and telecommunication cabinets and equipments. The cable is pushed through the front membrane, whilst the second membrane increases the strain relief and liquid tightness.

Material: TPE+PA66, halogens and silicones free

Flammability: self-extinguishing acc. to UL94-V0

Temperature: -40°C... +105°C (static)

RELATED PRODUCTS

- IFP plugs (page 112)
- DES PDM caps (page 112)
- EMCZ (page 162)

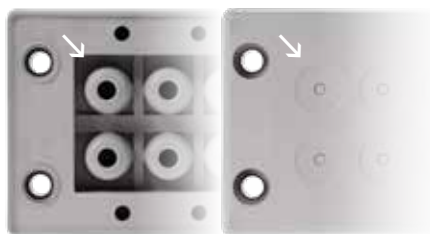


NC: Number of cables **ØC:** Diameter of cables - min/max (mm)

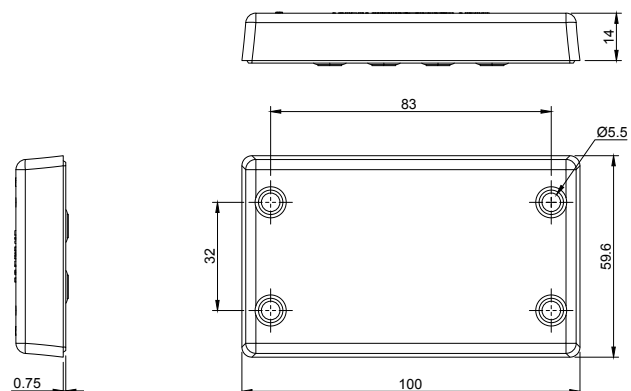
Model	Code		NC	ØC
DES PDM 10/8G	1732011008		8	6,8 / 12
Cut-out / Plate (mm)	Pcs/pack			
65 x 36 / 100 x 59,6	10			

Model	Code		NC	ØC
DES PDM 10/26G	1732011026		26	2,8 / 6,5
Cut-out / Plate (mm)	Pcs/pack			
65 x 36 / 100 x 59,6	10			

Dimensions (mm)



Double parallel membrane



* Indoor only

IP66
IP68

NEMA
12, 4X*

UL TYPE
12, 4X

HL3
EN 45545-2

ECOLAB

UL94-V0

UV
ISO 4892-2A

RoHS
COMPLIANT