



DES LCQ

Splittable frame for cables with and without connectors

FEATURES

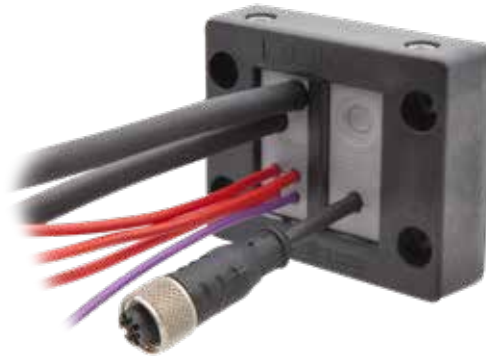
- For SPC and SPN grommets
- Stainless steel screws
- Strain relief according to EN 62444
- IP54
- Integrated UL94-V0 gasket
- Removable divider for small or large grommets in the same frame

The DES LCQ is a split cable entry frame designed for quick and flexible routing of cables with or without connectors. It supports both small and large grommets of the SPC and SPN ranges, allowing multiple cable configurations. The frame features a pre-assembled gasket for direct mounting onto the cabinet, and is secured using stainless steel screws.

Material: PP+GF, halogen-free, silicone-free
Flammability: self-extinguishing acc. to UL94-V0 including gasket
Temperature: -40°C... +130°C (static)

RELATED PRODUCTS

- SPC grommets (from page 58)
- SPN grommets (from page 63)
- HY360 hydraulic punch driver (page 179)

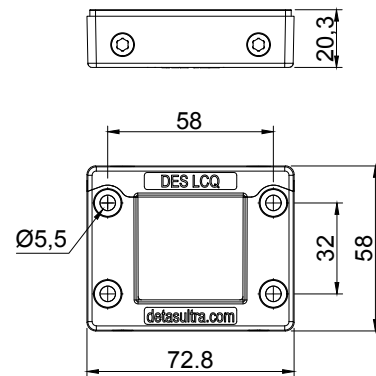


Model	Code	Some possible configurations	Cut-out (mm)	Pcs (/pack)
NEW DES LCQ	1731010350		40 x 36	10

ON REQUEST

Mounting screws	1731991020	Set of 4 mounting screws in AISI304 with Black Geomet finishing
-----------------	------------	---

Dimensions (mm)



IP54

NEMA 12



IK10

