

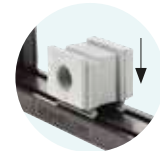
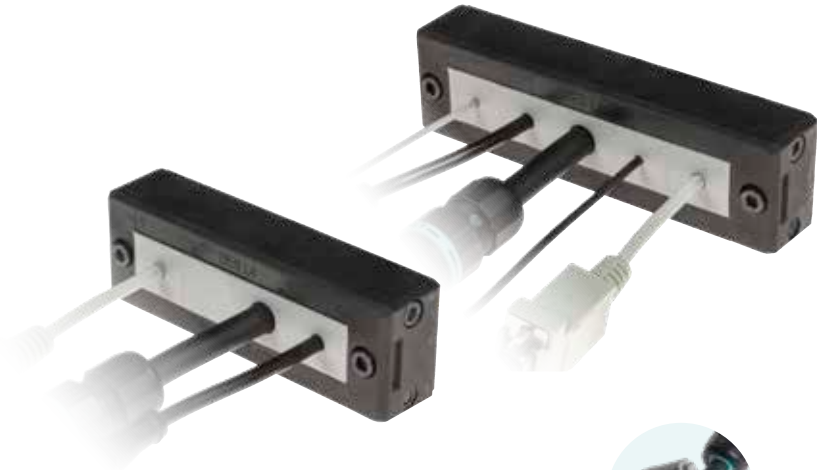


# DES L4/L5



## Splittable frame for cables with and without connectors

- ▶ For 4 or 5 small SPP grommets
- ▶ Frame screws in AISI304 Stainless Steel
- ▶ Overmolded gasket for full UL94V0 system with grey or black grommets
- ▶ Strain relief according to EN 62444
- ▶ Sturdy construction IK10
- ▶ IP66 and Nema 4X\* certified with all configurations of grommets
- ▶ ATEX version on request (see sec. 7)
- ▶ Threaded inserts version on request



Model	Code	Some possible configurations	Max. cut-out [mm]	Pcs /pack
DES L4	1731010004		86 x 18	10
DES L5	1731010005		112 x 18	
Upon request:	1731991010	Set of 2 mounting screws in AISI304 with Black Dacromet finishing		

The DES L4/L5 cable entry system consists of a splittable frame designed to accommodate small (SPP) grommets for cables with or without connectors.

With all combinations of grommets, single, double, quadruple, the IP66 and Nema 4X are guaranteed.

The overmolded gasket guarantees faster installation times and the complete V0 self-extinguishing of the system.

### Technical data

**Material:** PP+GF

**Flammability:** self-extinguishing acc. to UL94-V0

**Temperature:** -40°C... +155°C (static)

**Features:** halogens and silicones free

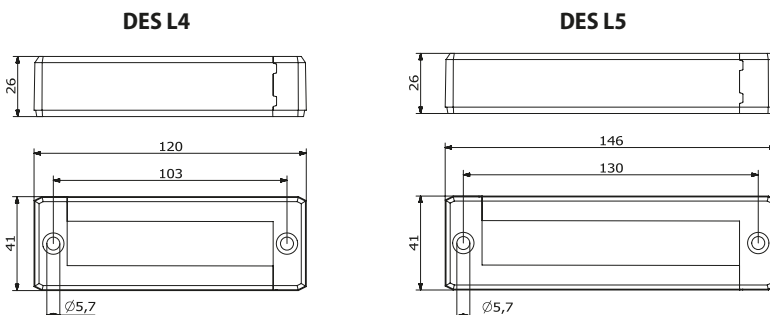
### Related products

SPP grommets (from page 39)

HY360 hydraulic punch driver

1

### Dimensions [mm]



\* Indoor only



IP66

NEMA 12, 4X

UL TYPE 12, 4X



ECOLAB



IK10

