



DDM SUB-D9



SUB-D9 locknut

FEATURES

- Divisible metric thread locknuts, suitable to SUB-D9 connector (DVI, Profibus)
- UL94-V0
- Black colour
- Recommended tightening torque 8 Nm

This locknut allows the pass through of SUB-D9 connectors (DVI or PROFIBUS), in the case of using a M32 cable gland, simplify machinery wiring.

It is suitable for: DESCLICK 32, DESPRED 32, DESPRED ZZ 32, OSF 32.

Material: PA66, halogen-free, silicone-free

Flammability: self-extinguishing acc. to UL94-V0

Temperature: -40°C... +120°C (static)

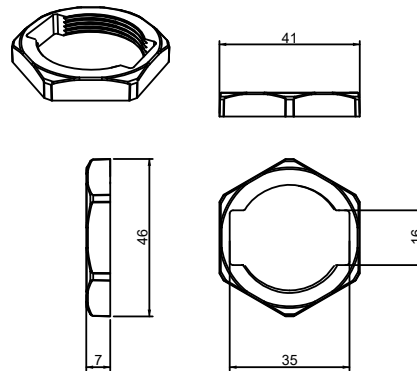
RELATED PRODUCTS

- OSF
- OSF 90
- DESPRED
- DESPRED ZZ
- DESCLICK
- DESCLICK Z



Model	Code	Thread	Pcs (/pack)
DDM SUB-D9	1731052032	M32 locknut for SUB-D9	10

Dimensions (mm)



IK10