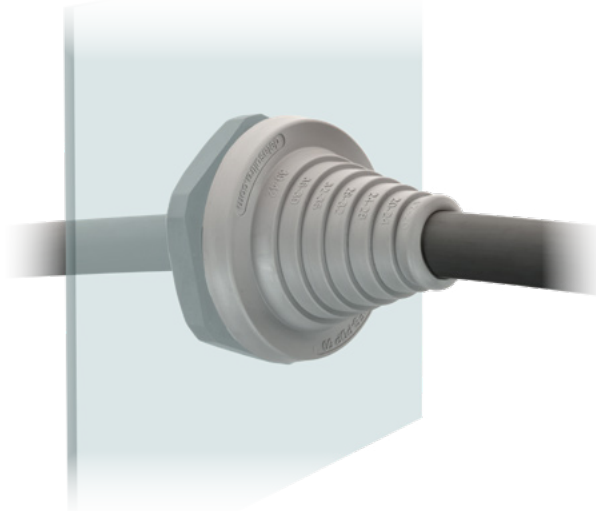


## Round base, cone-shaped cable entry plate with locknut

- ▶ For diameters from 2,5 to 64 mm
- ▶ Reinforcing base plate
- ▶ Cost efficient solution
- ▶ UL94-V0 for grey and black



	Model	Code	Cable nr.	Ø Cable min/max [mm]	Thread x 1,5	Dimensions [mm]			Pcs /pack
						Cut-out	Ø P	H	
NEW	DES PDP 25GA	1732350025	1 -	2.5 / 17	M25	25,5	39	46.5	10
NEW	DES PDP 32GA	1732350032	1 -	5 / 23	M32	32,5	46	55.2	
	DES PDP 40GA	1732350040	1 -	8 / 29	M40	40,5	54	62	
	DES PDP 50GA	1732350050	1 -	17 / 42	M50	50,5	64	50	
	DES PDP 63GA	1732350063	1 -	23 / 55	M63	63,5	77	62	
	DES PDP 75GA	1732350075	1 -	38 / 64	M75	75,5	89	64	
NEW	DES PDP 25BA	1732352025	1 -	2.5 / 17	M25	25,5	39	46.5	10
NEW	DES PDP 32BA	1732352032	1 -	5 / 23	M32	32,5	46	55.2	
	DES PDP 40BA	1732352040	1 -	8 / 29	M40	40,5	54	62	
	DES PDP 50BA	1732352050	1 -	17 / 42	M50	50,5	64	50	
	DES PDP 63BA	1732352063	1 -	23 / 55	M63	63,5	77	62	
NEW	DES PDP 75BA	1732352075	1 -	38 / 64	M75	75,5	89	64	

The DES PDP is available in M25, M32, M40, M50, M63 and M75 sizes, enabling non-terminated cables with diameter from 2,5 to 64 mm to pass through the walls of the electrical cabinets.

The reinforcing base plate increases the stability when large cables are used.

**DES PDP ATEX series can be used in zone 2 and 22 according to IEC 60079-10.**

### Technical data

**Material:** TPE

**Flammability:** self-extinguishing acc. to UL94-V0

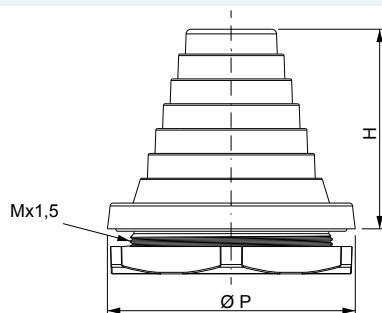
**Temperature:** -40°C... +110°C (static)

**Features:** halogens and silicones free

### Related products

HY360 hydraulic punch driver (page 129)

### Dimensions [mm]



\* Indoor only



up to  
**IP66**

up to  
**NEMA  
12, 4X**

**UL TYPE  
12**



**ECOLAB**



**ROHS  
COMPLIANT**

