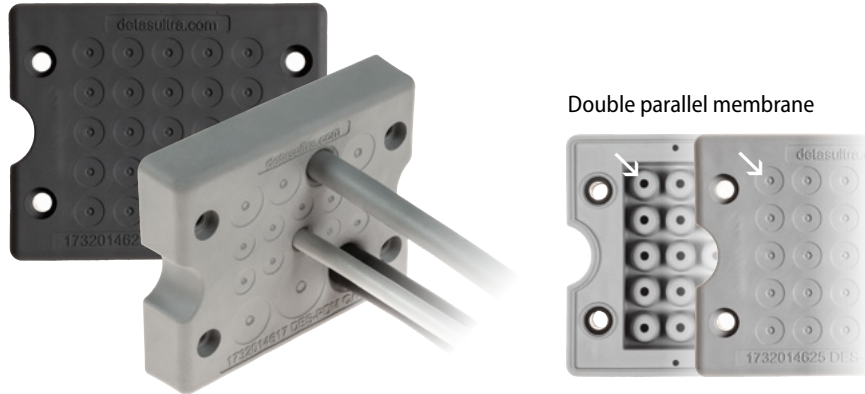


## Cable entry plates with internal frame and double membrane

- ▶ For large number of cables without connectors
- ▶ High strain relief thanks to the double membrane
- ▶ Cost efficient solution
- ▶ IP66 and NEMA 4X\* certified
- ▶ Threaded inserts or plastic rivets version on request



Model	Code	Cable nr.	Ø Cable min/max [mm]	Dimensions [mm]		Pcs /pack
				Cut-out	Plate	
DES PDM Q 13GA	1732314613	8 - 4 - 1 -	2,8 / 6,5 4,6 / 10,2 14,5 / 22	46 x 46	74x60	10
DES PDM Q 17GA	1732314617	10 - 4 - 2 - 1 -	2,8 / 6,5 4,6 / 10,2 6,8 / 12 8,6 / 16,2			
DES PDM Q 25GA	1732314625	25 -	2,8 / 6,5			
DES PDM Q 13BA	1732315614	8 - 4 - 1 -	2,8 / 6,5 4,6 / 10,2 14,5 / 22			
DES PDM Q 17BA	1732315618	10 - 4 - 2 - 1 -	2,8 / 6,5 4,6 / 10,2 6,8 / 12 8,6 / 16,2			
DES PDM Q 25BA	1732315626	25 -	2,8 / 6,5			

The DES PDM Q is an innovative alternative to standard cable glands on electrical, electronic and telecommunication cabinets and equipment.

The cable is pushed through the front membrane, whilst the second membrane increases the strain relief and liquid resistance.

**DES PDM Q ATEX series can be used in zone 2 and 22 according to IEC 60079-10.**

### Technical data

**Material:** TPE

**Flammability:** self-extinguishing acc. to UL94-V0

**Temperature:** -40°C... +110°C (static)

**Features:** halogens and silicones free

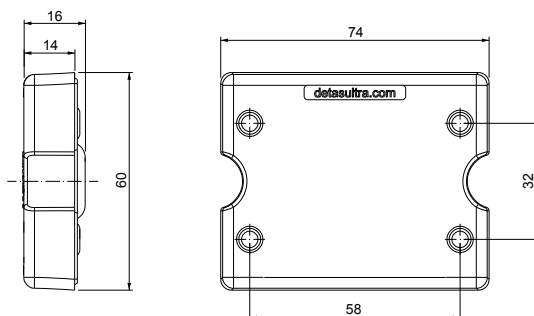
### Related products

IFP plugs (page 85)

DES PDM caps (page 85)

HY360 hydraulic punch driver (page 129)

### Dimensions [mm]



\* Indoor only