



DESPRED 50-90



Divisible cable glands with locknut - 90° entry

FEATURES

- Without screws
- Metric size
- Strain relief according to EN 62444
- IP54
- Sturdy construction IK10

DESPRED 50-90 is a M50 metric, divisible cable glands with a 90° entry. It works with small, multiple and large grommets for cables ranging from 2 to 17 mm diameter. The multiple grommets allow to accommodate up to 16 cables. Large grommets are used with corrugated tubes.

Material: PA+PC, halogens and silicones free

Flammability: self-extinguishing acc. to UL94-V0

Temperature: -40°C... +130°C (static)

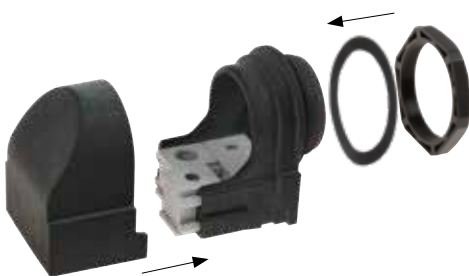
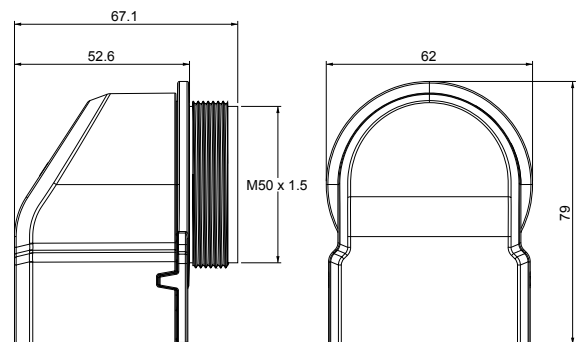
RELATED PRODUCTS

- SPP grommets (from page 48)
- SPG grommets (from page 54)
- HY360 hydraulic punch driver (page 148)



Model	Code	Some possible configurations	Max. cut-out (Ø mm)	Pcs (/pack)
DESPRED 50-90	1731050250		50,5	10

Dimensions (mm)



IP54

NEMA 12

UL TYPE 12



IK10