

# DES LCQ

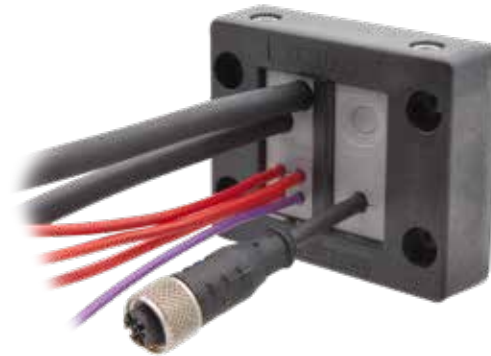


## Splittable frame for cables with and without connectors

### FEATURES

**NEW**

- For SPC and SPN grommets
- Stainless steel screws
- Strain relief according to EN 62444
- IP54
- Integrated UL94-V0 gasket



The DES LCQ is a splittable frame designed to accommodate various combinations of cables, with or without connectors. It is compatible with both small and large grommets from the SPC and SPN families. The gasket is pre-attached to the frame, allowing the DES LCQ to be installed directly onto the cabinet. Fixing is carried out using stainless steel screws. The frame's innovative polycarbonate (PC) material ensures superior resistance, particularly to extreme temperatures, compared to other commonly used materials.

**Material:** PP+GF, halogens and silicones free

**Flammability:** self-extinguishing acc. to UL94-V0 including gasket

**Temperature:** -40°C... +130°C (static)

### RELATED PRODUCTS

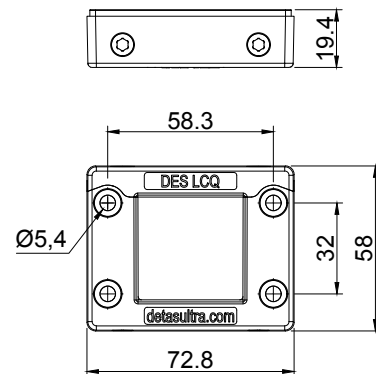
- SPC grommets (from page 53)
- SPN grommets (from page 58)
- HY360 hydraulic punch driver (page 174)

| Model   | Code       | Some possible configurations | Cut-out (mm) | Pcs (/pack) |
|---------|------------|------------------------------|--------------|-------------|
| DES LCQ | 1731010350 |                              | 40 x 39      | 10          |

### ON REQUEST

|                 |            |   |
|-----------------|------------|---|
| Mounting screws | 1731991020 | Set of 4 mounting screws in AISI304 with Black Geomet finishing |
|-----------------|------------|---|

### Dimensions (mm)



IP54

NEMA 12



IK10