



DES PDP ATEX



Round base, cone-shaped cable entry plate with locknut

FEATURES

- For diameters from 2,5 to 64 mm
- Reinforcing base plate
- Cost efficient solution
- UL94-V0 for grey and black

The DES PDP is available in M25, M32, M40, M50, M63 and M75 sizes, enabling non-terminated cables with diameter from 2,5 to 64 mm to pass through the walls of the electrical cabinets.

The reinforcing base plate increases the stability when large cables are used.

DES PDP ATEX series can be used in zone 2 and 22.

Material: TPE, halogens and silicones free

Flammability: self-extinguishing acc. to UL94-V0

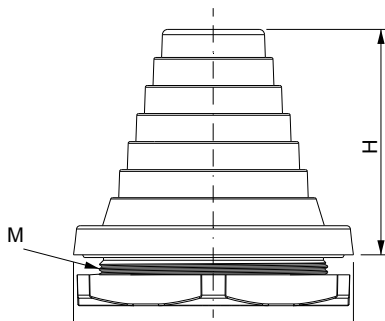
Temperature: -40°C... +110°C (static)

RELATED PRODUCTS

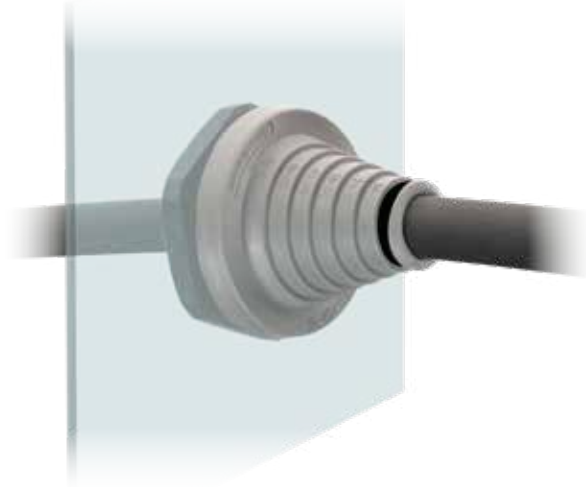
- HY360 hydraulic punch driver (page 148)



Dimensions (mm)



* Indoor only



Model	Code	Nr. Cables	Ø Cable min/max (mm)	M	Dimensions (mm)			Pcs x conf.
					Cut-out	ØP	H	
DES PDP 25GA	1732350025	1	2,5 / 17	M25 x 1,5	25,5	39	46.5	1
DES PDP 32GA	1732350032	1	5 / 23	M32 x 1,5	32,5	46	55.2	
DES PDP 40GA	1732350040	1	8 / 29	M40 x 1,5	40,5	54	62	
DES PDP 50GA	1732350050	1	17 / 42	M50 x 1,5	50,5	64	50	
DES PDP 63GA	1732350063	1	23 / 55	M63 x 1,5	63,5	77	62	
DES PDP 75GA	1732350075	1	38 / 64	M75 x 2	75,5	89	64	

Model	Code	Nr. Cables	Ø Cable min/max (mm)	M	Dimensions (mm)			Pcs x conf.
					Cut-out	ØP	H	
DES PDP 25BA	1732352025	1	2,5 / 17	M25 x 1,5	25,5	39	46.5	1
DES PDP 32BA	1732352032	1	5 / 23	M32 x 1,5	32,5	46	55.2	
DES PDP 40BA	1732352040	1	8 / 29	M40 x 1,5	40,5	54	62	
DES PDP 50BA	1732352050	1	17 / 42	M50 x 1,5	50,5	64	50	
DES PDP 63BA	1732352063	1	23 / 55	M63 x 1,5	63,5	77	62	
DES PDP 75BA	1732352075	1	38 / 64	M75 x 2	75,5	89	64	



up to IP66

up to NEMA 12, 4X*

UL TYPE 12

