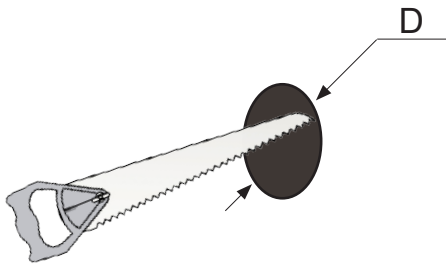
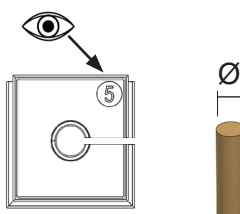


I



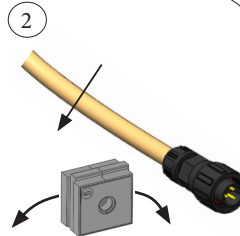
	D [mm]	Max insert size		
		SPC 1x	SPC 2x	SPC 4x
OSF 90-16	Ø16.5 ±0.5	SPC 10	SPC 2x4	SPC 4x4
OSF 90-20	Ø20.5 ±0.5	SPC 14	SPC 2x5	SPC 4x5
OSF 90-25	Ø25.5 ±0.5	SPC 14	SPC 2x7	SPC 4x6
OSF 90-32	Ø32.5 ±0.5	SPC 14	SPC 2x7	SPC 4x6

1




SPC not included

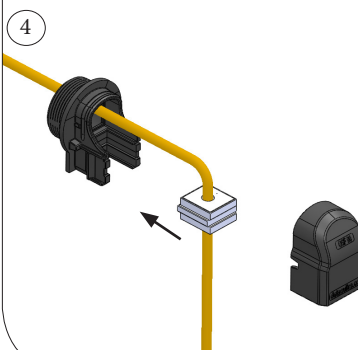
2



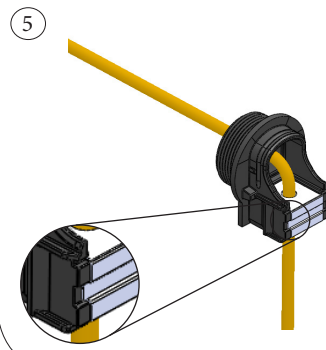
3



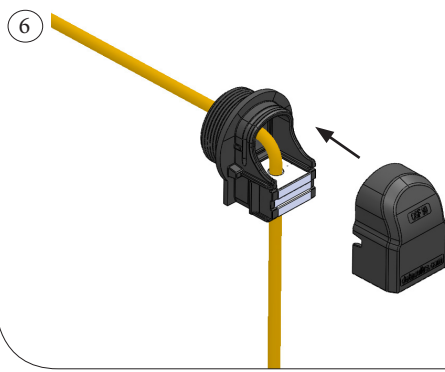
4



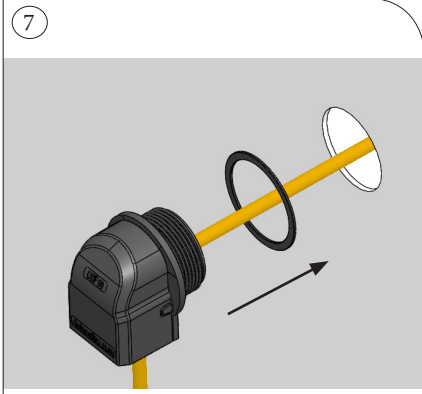
5



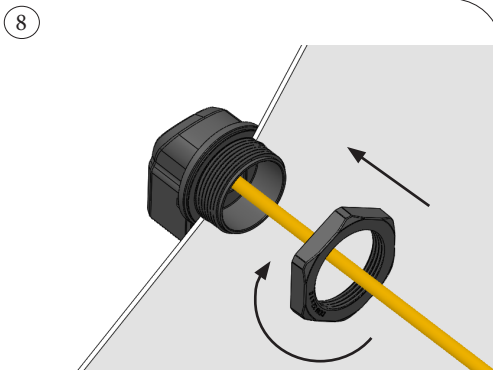
6



7



8



OSF 90-16 = Max 2.5 Nm  
 OSF 90-20 = Max 3.5 Nm  
 OSF 90-25 = Max 5 Nm  
 OSF 90-32 = Max 7 Nm

9

