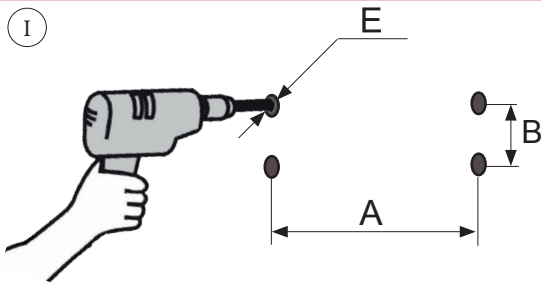
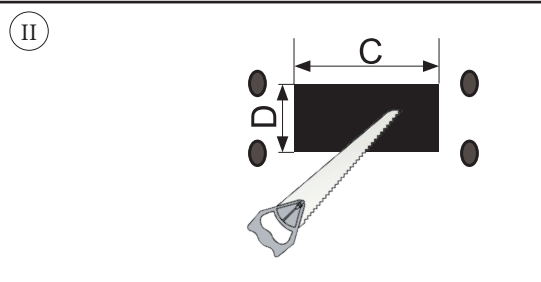


I



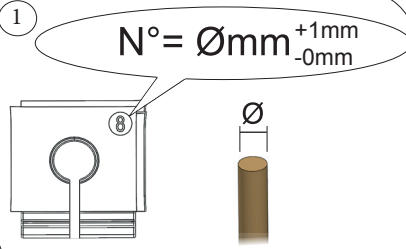
	A mm	B mm	C ± 0,5mm	D ± 0,5mm	E mm
DES 24 Clean	130	32	114	40	Ø5

II



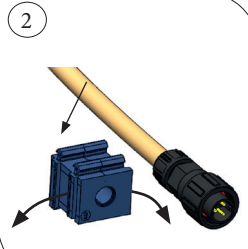
1

$N^\circ = \text{Ømm} +1\text{mm} -0\text{mm}$

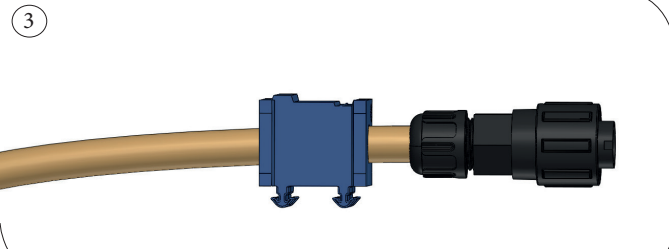


SPP inserts not included

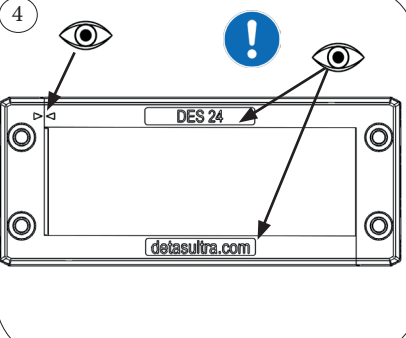
2



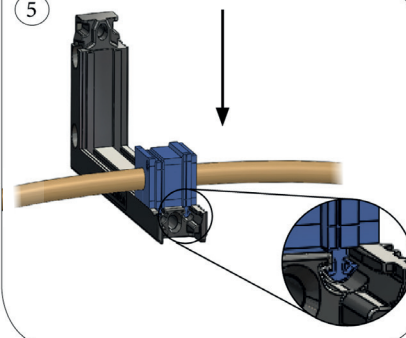
3



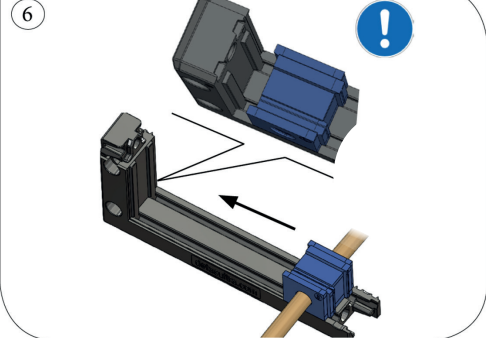
4



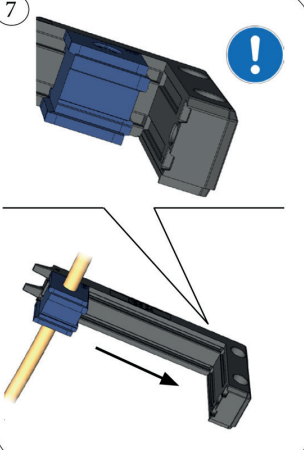
5



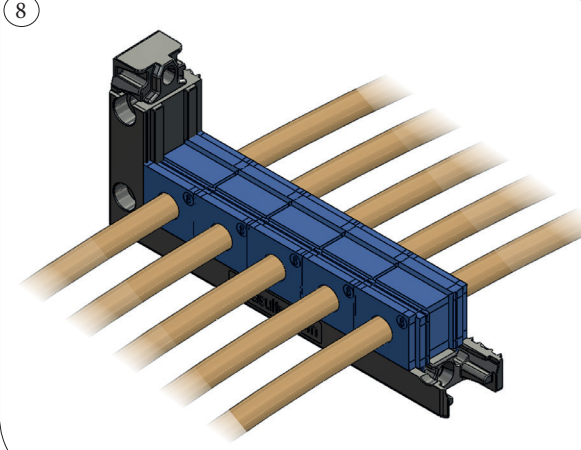
6



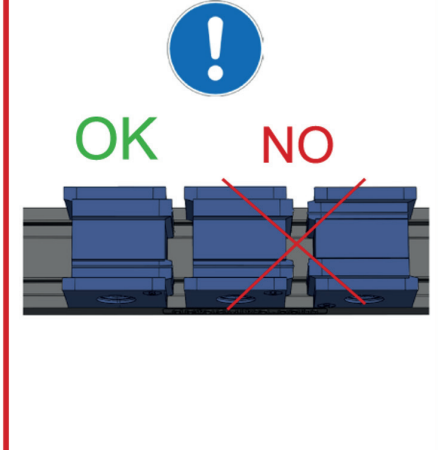
7

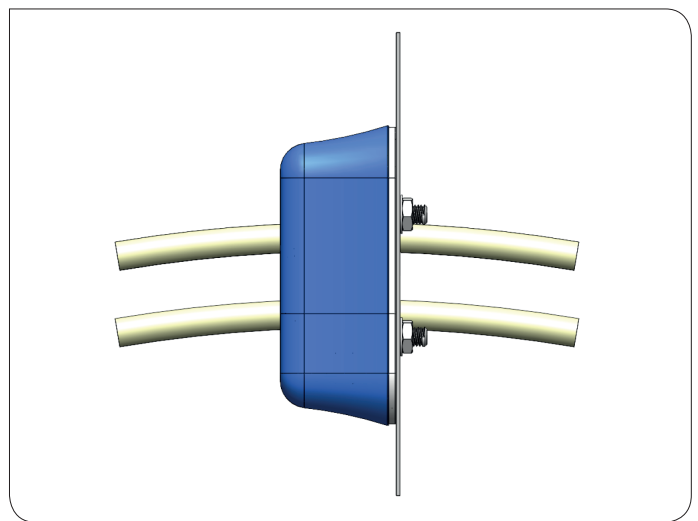
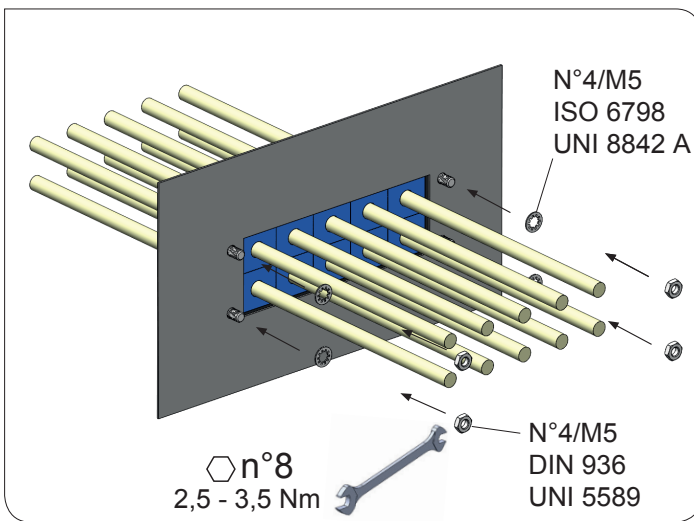
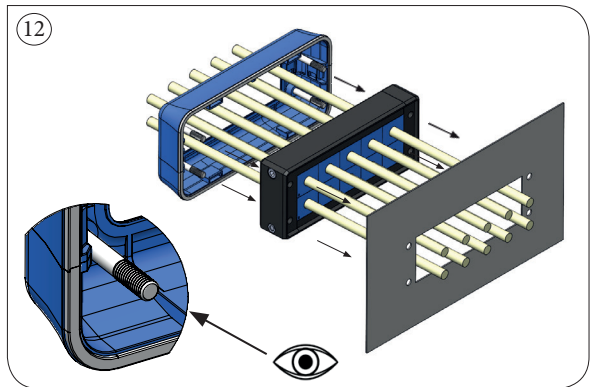
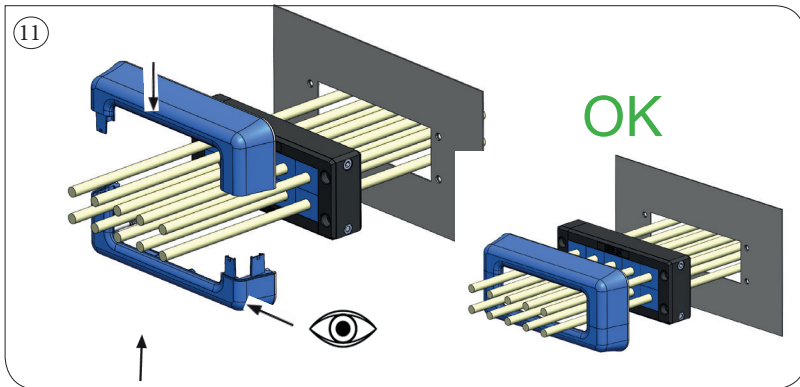
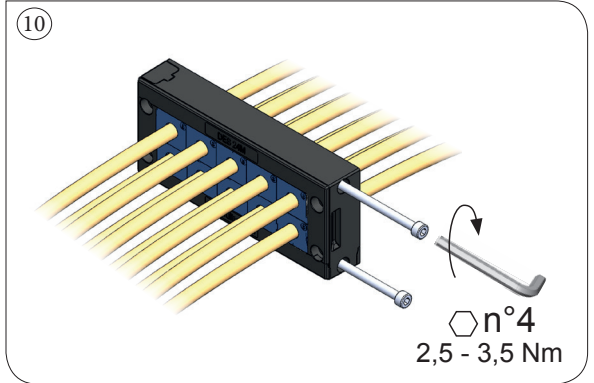
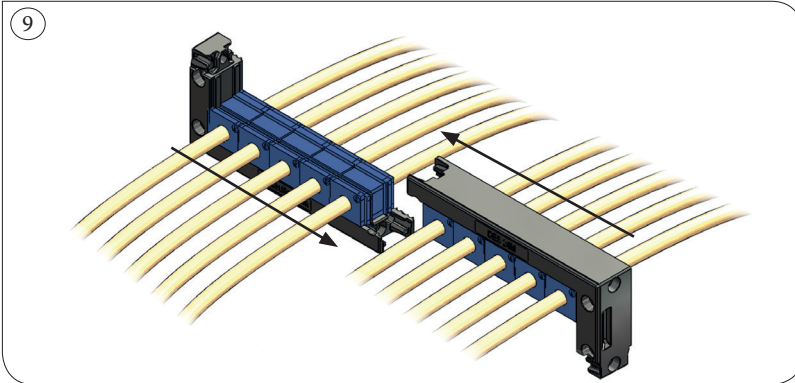


8

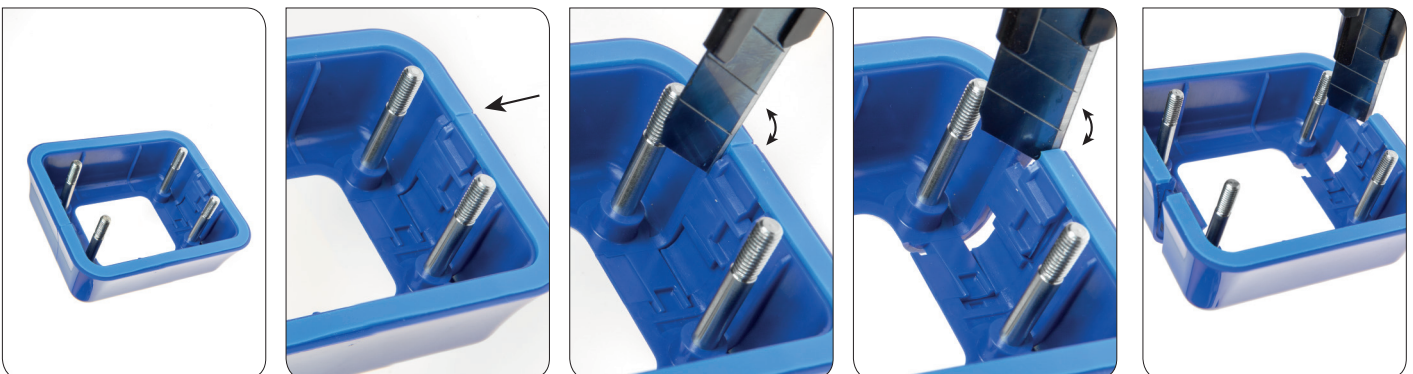


Warning: Incorrect installation





How to open the cover :



For use on a flat surface