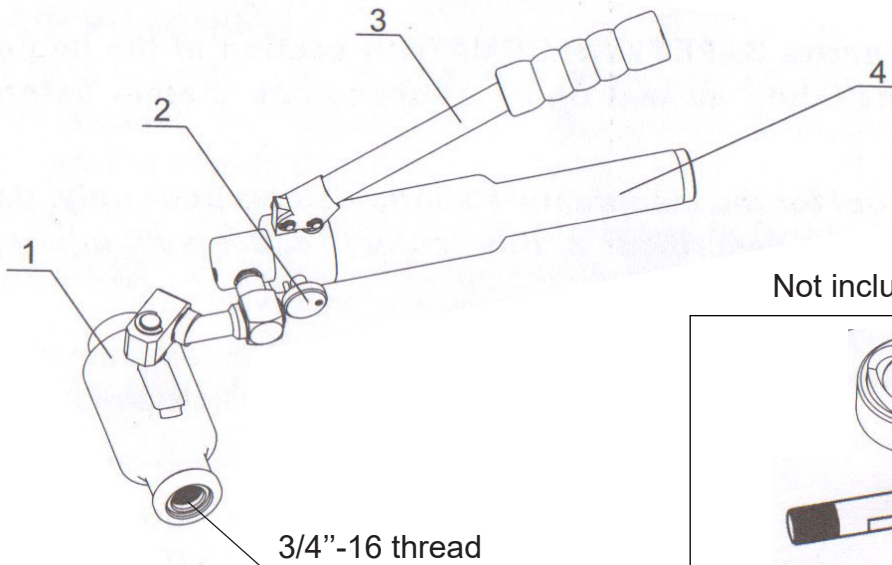




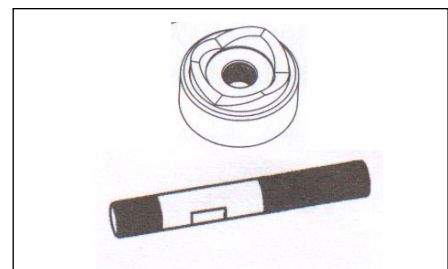
Specification:

Punching Force:	120 KN
Stroke:	27 mm
Max punch thickness:	3.5 mm Stainless Steel
Head rotation:	360°
Material:	Aluminum alloy
Weight:	2.50 Kg
Oil capacity:	90 ml
Hydraulic oil:	15#
Compatible studs:	3/4"-16

Description of components:



Not included:



Code	Name	Function
1	Ram	Output high pressure to active the piston
2	Turn screw	Release the pressue
3	Pump handle	Action the pump
4	Fixed handle	Oil storage and rubber protection