

A

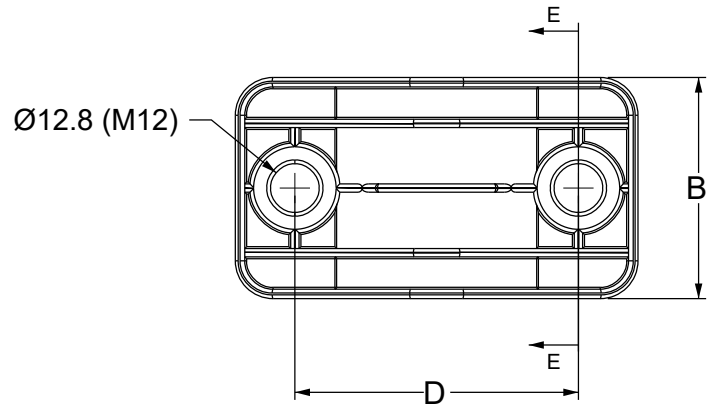
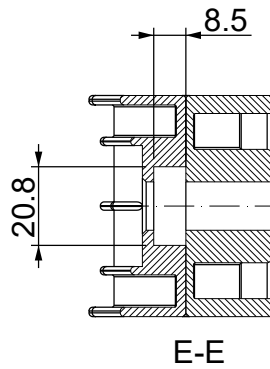
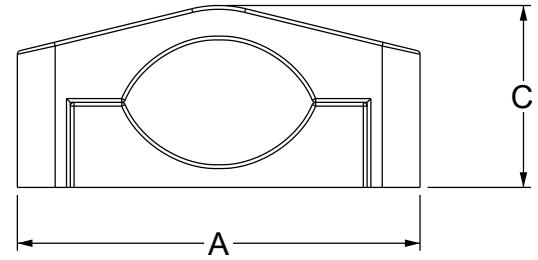
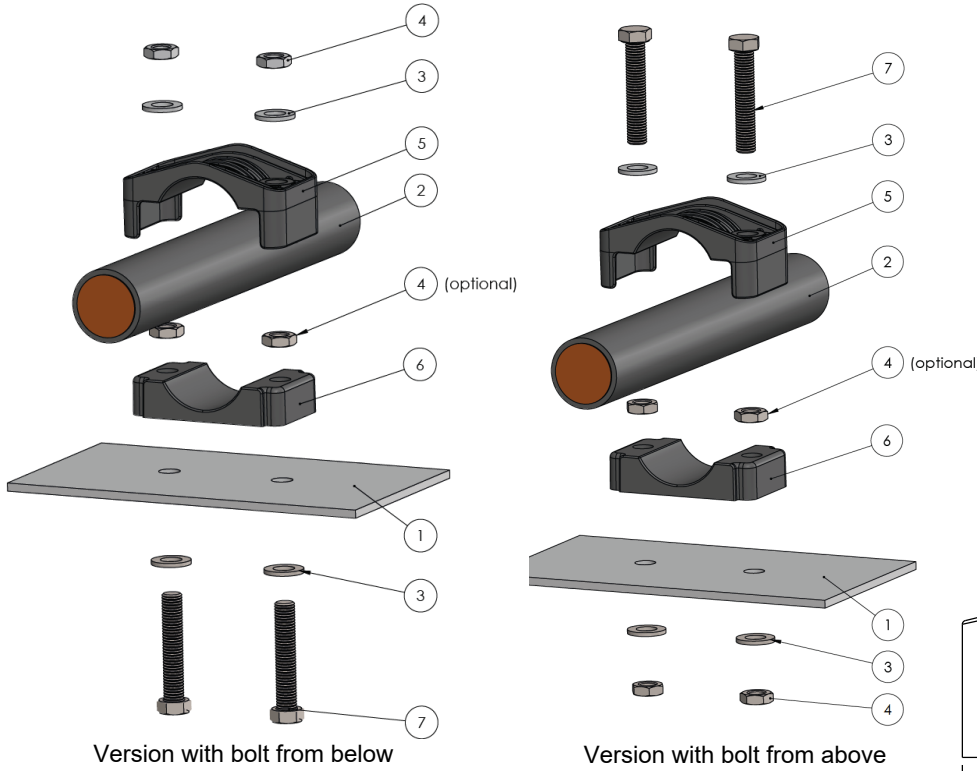
B

C

D

N°	Part name	Qty
1	Base	1
2	Cable	1
3	Washer DIN 125 - A 13 *	4
4	Hexagon Thin Nut ISO 4035 - M12 (or M10)	2 or 4
5	Upper-cover	1
6	Bottom-cover	1
7	DIN EN 24014 - M12 (or M10) x 65 x 65-N	2

* Note: use only flat washers



Torque range: 1 - 7,5 Nm*

*depends on model and cable manufacture prescriptions

Flammability: UL94-V0, self-extinguishing

Temperature: -40°C ... +110°C

Properties: halogen-free, silicone-free

Material : PA +20% GF



Cod.	Description	Cable Ø [mm] n° / max - min	A [mm]	B [mm]	C [mm]	D [mm]
1733030010	MFK 13-25	1 / 13-25	87,5	47,0	35,0	60,0
1733030015	MFK 20-36	1 / 20-36	88,0	58,0	42,0	60,0
1733030020	MFK 36-52	1 / 36-52	106,5	59,0	49,5	75,0
1733030025	MFK 55-75	1 / 55-75	113,5	59,0	52,0	83,0
1733030030	MFK 75-95	1 / 75-95	128,0	59,0	64,5	95,0

Codice / Code

see table

Descrizione / Description

MFK

Rev.

005

Materiale / Material

PA

Colore / Color

Black

Peso / Weight (g)

-

Unità di misura / Measure units

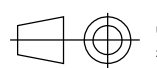
mm

Formato / Format

A4

Scala / Scale

1:2



UNI-ISO
2768-mk



Data / Date
24/02/2023

Numero foglio / Sheet number

-

Numero progetto / Project number

-

Disegn. / Drawn

fpozzi@detas.com

Note / Notes

-

QUESTO DISEGNO E LE SUE INFORMAZIONI SONO STRETTAMENTE RISERVATE DI PROPRIETA' DETAS SPA. NON UTILIZZARE PER SCOPI DIVERSI DA QUELLI PER CUI SONO STATE FORNITE. DO NOT SCALE DRAWING.

A

B

C

D