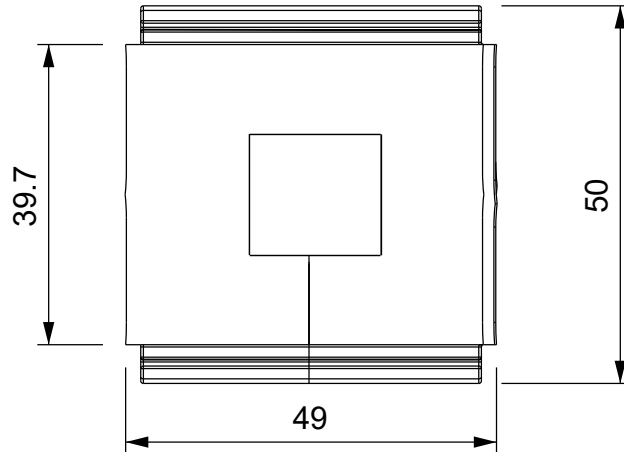
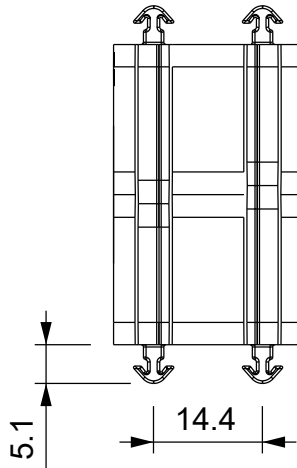
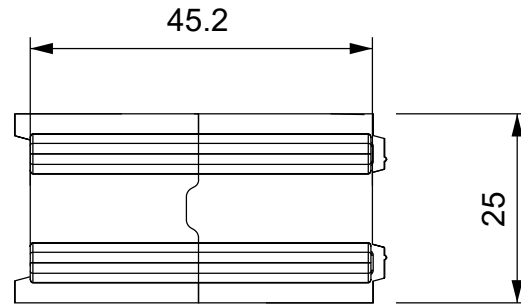
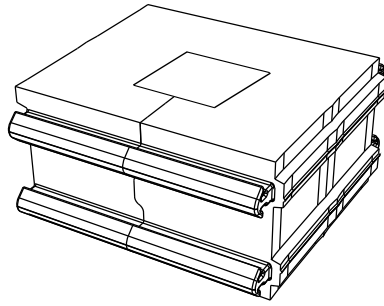


A

B

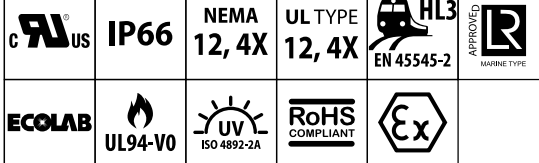
C

D



Grey		Black	
Description	Code	Description	Code
SPY - YG	1731022030	SPY - YB	1731022035

Flammability: UL94-V0, self-extinguishing
Temperature: -40°C ... +110°C
Properties: halogen-free, silicone-free
Material: thermoplastic elastomer (TPE)



Codice / Code

see table

Descrizione / Description

SPY

Rev.
000Materiale / Material
TPEColore / Color
see tablePeso / Weight (g)
-Unità di misura / Measure units
mmFormato / Format
A4Scala / Scale
1:1Data / Date
14/04/2022Numero foglio / Sheet number
-Numero progetto / Project number
-Disegn. / Drawn
F. POZZINote / Notes
-

A

B

C

D