

CABLE ENTRY SYSTEMS

detasultra.com





Detas SpA presents the **DetasUltra** division, established in 2019 after many years of experience in cable management for electrical cabinets and equipment.

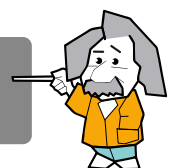
The **DES (Detas Entry System)** solution is designed to simplify the use of cables in electrical equipment, improving watertightness, strain relief and EMC, whilst minimising costs.

DES has been designed, developed and patented in Italy, thanks to our technical skills in the thermoplastic industry and production equipment. Our attention to detail has driven us to develop innovative and reliable solutions for our customers at a competitive price.


For decades the Detas Group has been specialising in power electronics for sectors such as industrial automation, LED functional lighting, traffic safety and electric vehicle charging.



Easier with us!

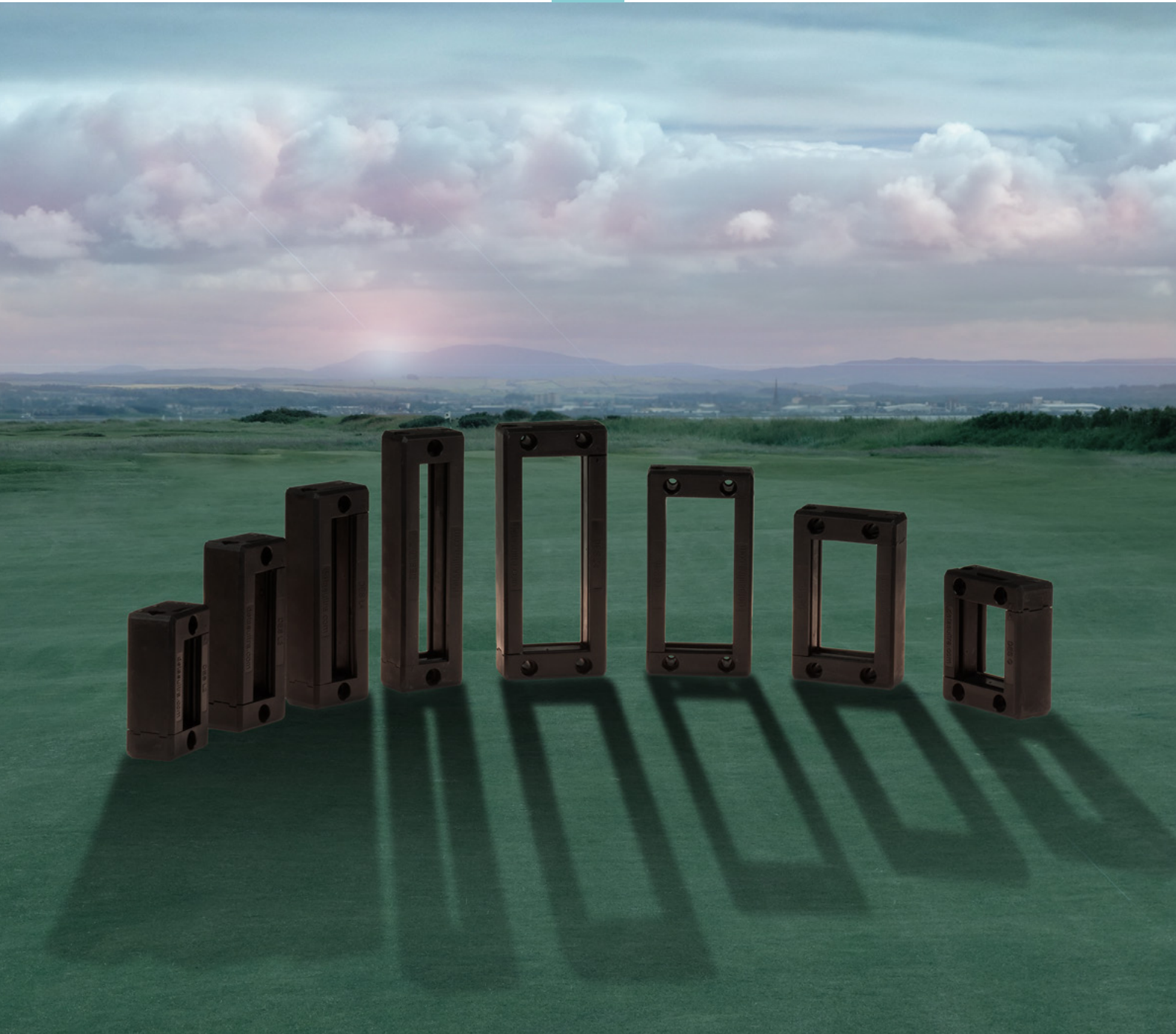


Summary

| | | |
|----------|--|-----------|
| 1 | <i>Entry system for cables with and without connectors</i> | |
| | Frames - DES series | 5 > 25 |
| | Divisible cable gland - OSF-DESLICK-DESPRED | 26 > 36 |
| | Grommets - SP series | 37 > 49 |
| | ISP plugs & DES CAPS | 50 |
| | Utility Box - SP series | 51 > 52 |
| | Brush frames - DES Z series | 53 > 56 |
| 2 | <i>Entry system for cables without connectors</i> | |
| | Cable gland plates - DES PDM series | 58 > 67 |
| | Cone-shaped cable entry plate with locknut - Series DES PDP | 68 |
| | Cable glands plates - DES PM series | 69 > 75 |
| | IFP Plugs for cable entry plates & DES DPM CAPS | 76 |
| 3 | <i>Strain relief modules</i> | |
| | Strain relief - AP series | 78 > 81 |
| | Spacers - DZ | 82 |
| | Cable fixing clamps - MFK-MFY | 83 |
| | Cable ties - FV | 84 > 87 |
| 4 | <i>EMC shielding</i> | |
| | EMC cable clamps - MS series | 89 > 104 |
| | Engineering Box EMC | 105 |
| | Earthing straps - CTX | 106 |
| | EMC frames and grommets | 107 > 108 |
| 5 | <i>Spittable corrugated pipes</i> | |
| | Splittable corrugated pipes - FL | 110 |
| | Clips for corrugated pipes - FW | 111 |
| 6 | <i>Accessories</i> | |
| | Hydraulic punch driver - HY360 | 113 |
| | Adapter plates - PF | 114 > 116 |
| | Brushes for Rittal cabinets - SQZ | 117 |
| | DemoBox Deluxe | 118 |
| 7 | <i>Cable entry systems - ATEX</i>  | |
| | Frames and grommets - DES series | 120 > 126 |
| | Cable gland plates - DES PDM series | 127 > 133 |

Group 1

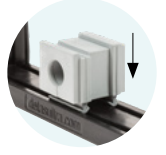
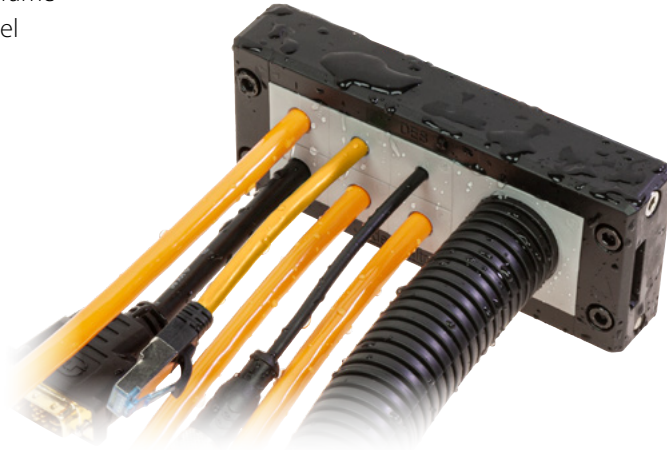
Entry system for cables with and without connectors





Splittable frame for cables with and without connectors

- ▶ Multiple configurations in the same frame
- ▶ Frame screws in AISI304 Stainless Steel
- ▶ Overmolded gasket for full UL94V0 system with grey or black grommets
- ▶ Strain relief according to EN 62444
- ▶ Sturdy construction IK10
- ▶ IP66 and Nema 4X* certified with all configurations of grommets
- ▶ ATEX version on request (see sec. 7)
- ▶ Threaded inserts version on request



| Model | Code | Some possible configurations | Max. cut-out [mm] | Pcs /pack |
|--------|------------|------------------------------|-------------------|-----------|
| DES 24 | 1731010024 | | 112 x 39 | 10 |

The DES 24 cable entry system consists of a splittable frame designed to accommodate small (SPP), multiple (X) or large (SPG) grommets for cables with and without connectors. The grommets can be freely positioned into the frame.

With all combinations of grommets, single, double, quadruple, big, the IP66 and Nema 4X are guaranteed.

The overmolded gasket guarantees faster installation times and the complete V0 self-extinguishing of the system.

Technical data

Material: PP+GF

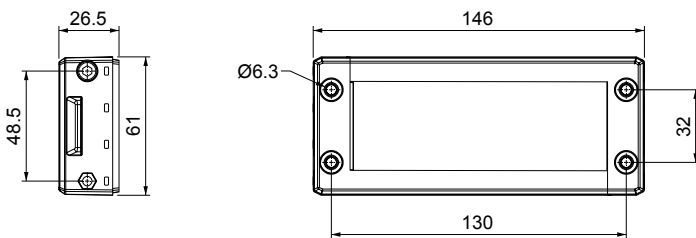
Flammability: self-extinguishing acc. to UL94-V0

Temperature: -40°C... +155°C (static)

Features: halogens and silicones free

| | | |
|---------------|------------|---|
| Upon request: | 1731991020 | Set of 4 mounting screws in AISI304 with Black Dacromet finishing |
|---------------|------------|---|

Dimensions [mm]



* Indoor only

Related products

SPP grommets (from page 40)

SPG grommets (from page 44)

DES Flap

DES Cover

HY360 hydraulic punch driver

PF/PFX cable entry system plates

DES caps



IP66

NEMA 12, 4X

UL TYPE 12, 4X



ECOLAB



RoHS COMPLIANT

IK10



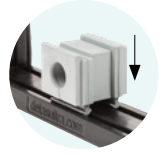
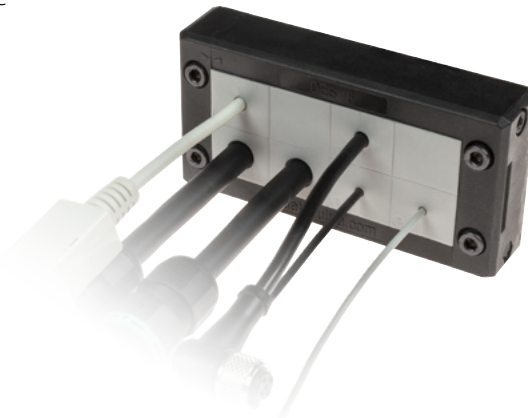


DES 16



Splittable frame for cables with and without connectors

- ▶ Multiple configurations in the same frame
- ▶ Frame screws in AISI304 Stainless Steel
- ▶ Overmolded gasket for full UL94V0 system with grey or black grommets
- ▶ Strain relief according to EN 62444
- ▶ Sturdy construction IK10
- ▶ IP66 and Nema 4X* certified with all configurations of grommets
- ▶ ATEX version on request (see sec. 7)
- ▶ Threaded inserts version on request



| Model | Code | Some possible configurations | Max. cut-out [mm] | Pcs /pack |
|---------------|------------|---|-------------------|-----------|
| DES 16 | 1731010016 | | 86 x 39 | 10 |
| Upon request: | 1731991020 | Set of 4 mounting screws in AISI304 with Black Dacromet finishing | | |

The DES 16 cable entry system consists of a splittable frame designed to accommodate small (SPP), multiple (X) or large (SPG) grommets for cables with and without connectors. The grommets can be freely positioned into the frame.

With all combinations of grommets, single, double, quadruple, big, the IP66 and Nema 4X are guaranteed.

The overmolded gasket guarantees faster installation times and the complete V0 self-extinguishing of the system.

Technical data

Material: PP+GF

Flammability: self-extinguishing acc. to UL94-V0

Temperature: -40°C... +155°C (static)

Features: halogens and silicones free

Related products

SPP grommets (from page 40)

SPG grommets (from page 44)

DES Flap

DES Cover

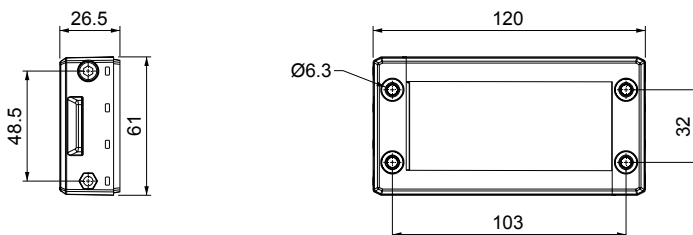
HY360 hydraulic punch driver

PF/PFX cable entry system plates

DES caps



Dimensions [mm]



* Indoor only



IP66

NEMA 12, 4X

UL TYPE 12, 4X



ECOLAB



RoHS COMPLIANT

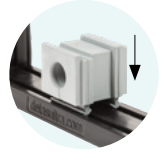
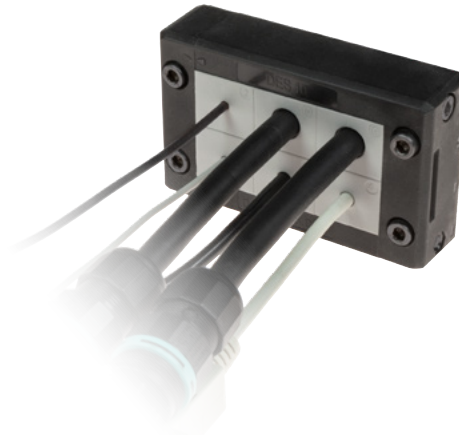
IK10





Splittable frame for cables with and without connectors

- ▶ Multiple configurations in the same frame
- ▶ Frame screws in AISI304 Stainless Steel
- ▶ Overmolded gasket for full UL94V0 system with grey or black grommets
- ▶ Strain relief according to EN 62444
- ▶ Sturdy construction IK10
- ▶ IP66 and Nema 4X* certified with all configurations of grommets
- ▶ ATEX version on request (see sec. 7)
- ▶ Threaded inserts version on request



| Model | Code | Some possible configurations | Max. cut-out [mm] | Pcs /pack |
|---------------|------------|---|-------------------|-----------|
| DES 10 | 1731010010 | | 63 x 39 | 10 |
| Upon request: | 1731991020 | Set of 4 mounting screws in AISI304 with Black Dacromet finishing | | |

The DES 10 cable entry system consists of a splittable frame designed to accommodate small (SPP), multiple (X) or large (SPG) grommets for cables with and without connectors. The grommets can be freely positioned into the frame.

With all combinations of grommets, single, double, quadruple, big, the IP66 and Nema 4X are guaranteed.

The overmolded gasket guarantees faster installation times and the complete V0 self-extinguishing of the system.

Technical data

Material: PP+GF

Flammability: self-extinguishing acc. to UL94-V0

Temperature: -40°C... +155°C (static)

Features: halogens and silicones free

Related products

SPP grommets (from page 40)

SPG grommets (from page 44)

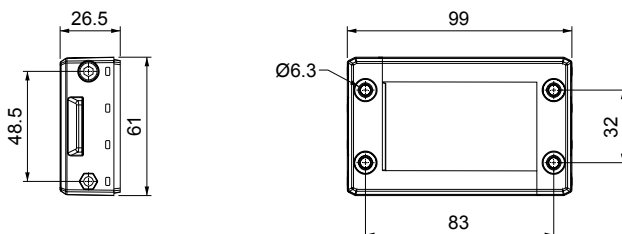
DES Flap

DES Cover

HY360 hydraulic punch driver

DES caps

Dimensions [mm]



* Indoor only



IP66

NEMA 12, 4X

UL TYPE 12, 4X



ECOLAB



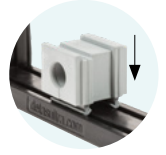
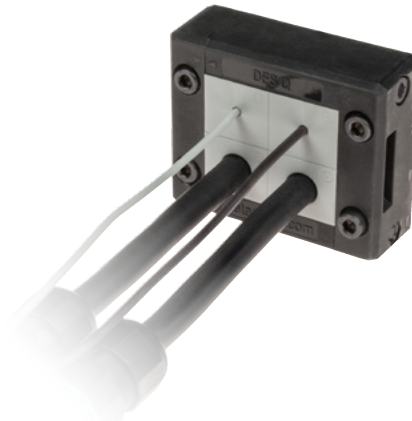
IK10





Splittable frame for cables with and without connectors

- ▶ For 4 small grommets or 1 big grommet
- ▶ Frame screws in AISI304 Stainless Steel
- ▶ Overmolded gasket for full UL94V0 system with grey or black grommets
- ▶ Strain relief according to EN 62444
- ▶ Sturdy construction IK10
- ▶ IP66 and Nema 4X* certified with all configurations of grommets
- ▶ ATEX version on request (see sec. 7)
- ▶ Threaded inserts version on request



| Model | Code | Some possible configurations | Max. cut-out [mm] | Pcs /pack |
|-------|------------|------------------------------|-------------------|-----------|
| DES Q | 1731010008 | | 40 x 39 | 10 |

The DES Q cable entry system consists of a splittable frame designed to accommodate small (SPP), multiple (X) or large (SPG) grommets for cables with and without connectors. The grommets can be freely positioned into the frame.

With all combinations of grommets, single, double, quadruple, big, the IP66 and Nema 4X are guaranteed.

The overmolded gasket guarantees faster installation times and the complete V0 self-extinguishing of the system.

Technical data

Material: PP+GF

Flammability: self-extinguishing acc. to UL94-V0

Temperature: -40°C... +155°C (static)

Features: halogens and silicones free

Related products

SPP grommets (from page 40)

SPG grommets (from page 44)

DES Flap

DES Cover

HY360 hydraulic punch driver

DES caps



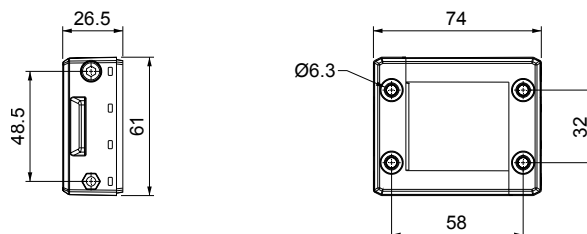
1

Upon request:

1731991020

Set of 4 mounting screws in AISI304 with Black Dacromet finishing

Dimensions [mm]



* Indoor only



IP66

NEMA 12, 4X

UL TYPE 12, 4X



ECOLAB



RoHS COMPLIANT

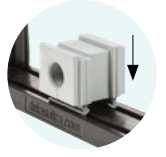
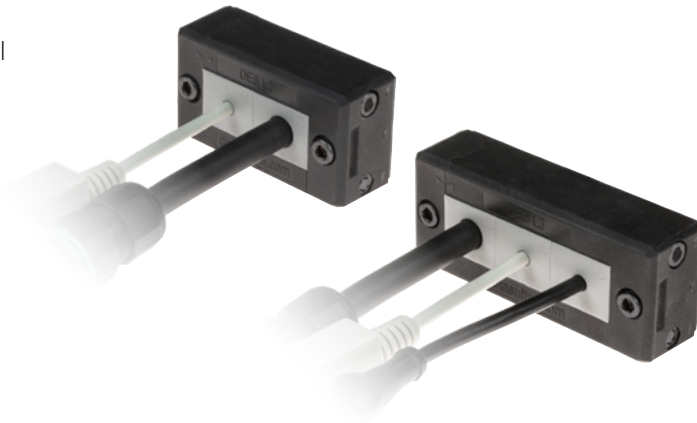
IK10





Splittable frame for cables with and without connectors

- ▶ For 2 or 3 small SPP grommets
- ▶ Frame screws in AISI304 Stainless Steel
- ▶ Overmolded gasket for full UL94V0 system with grey or black grommets
- ▶ Strain relief according to EN 62444
- ▶ Sturdy construction IK10
- ▶ IP66 and Nema 4X* certified with all configurations of grommets
- ▶ ATEX version on request (see sec. 7)
- ▶ Threaded inserts version on request



| Model | Code | Some possible configurations | Max. cut-out [mm] | Pcs /pack |
|---------------|------------|---|-------------------|-----------|
| DES L2 | 1731010002 | | 40 x 18 | 10 |
| DES L3 | 1731010003 | | 63 x 18 | |
| Upon request: | 1731991010 | Set of 2 mounting screws in AISI304 with Black Dacromet finishing | | |

The DES L2/L3 cable entry system consists of a splittable frame designed to accommodate small (SPP) grommets for cables with or without connectors.

With all combinations of grommets, single, double, quadruple, the IP66 and Nema 4X are guaranteed.

The overmolded gasket guarantees faster installation times and the complete V0 self-extinguishing of the system.

Technical data

Material: PP+GF

Flammability: self-extinguishing acc. to UL94-V0

Temperature: -40°C... +155°C (static)

Features: halogens and silicones free

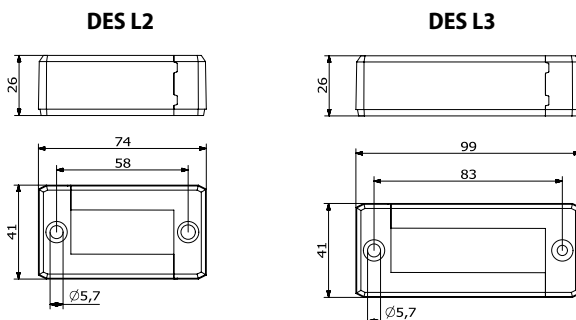
Related products

SPP grommets (from page 40)

HY360 hydraulic punch driver)

DES caps

Dimensions [mm]



* Indoor only



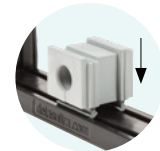
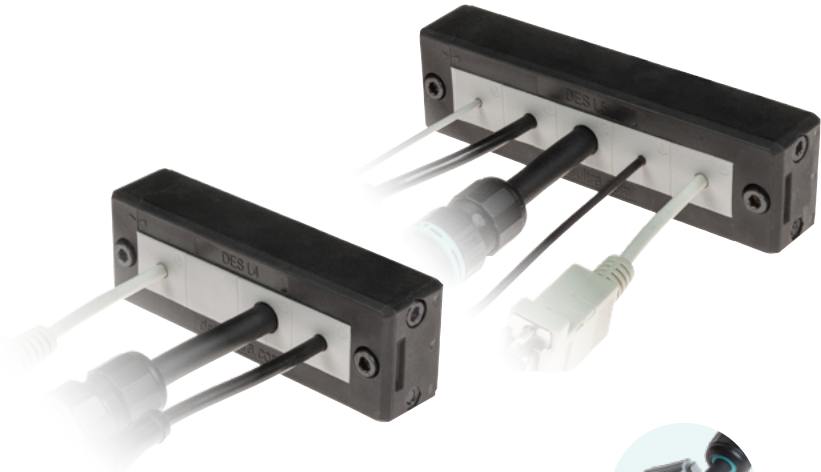


DES L4/L5



Splittable frame for cables with and without connectors

- ▶ For 4 or 5 small SPP grommets
- ▶ Frame screws in AISI304 Stainless Steel
- ▶ Overmolded gasket for full UL94V0 system with grey or black grommets
- ▶ Strain relief according to EN 62444
- ▶ Sturdy construction IK10
- ▶ IP66 and Nema 4X* certified with all configurations of grommets
- ▶ ATEX version on request (see sec. 7)
- ▶ Threaded inserts version on request



| Model | Code | Some possible configurations | Max. cut-out [mm] | Pcs /pack |
|---------------|------------|---|-------------------|-----------|
| DES L4 | 1731010004 | | 86 x 18 | 10 |
| DES L5 | 1731010005 | | 112 x 18 | |
| Upon request: | 1731991010 | Set of 2 mounting screws in AISI304 with Black Dacromet finishing | | |

The DES L4/L5 cable entry system consists of a splittable frame designed to accommodate small (SPP) grommets for cables with or without connectors.

With all combinations of grommets, single, double, quadruple, the IP66 and Nema 4X are guaranteed.

The overmolded gasket guarantees faster installation times and the complete V0 self-extinguishing of the system.

Technical data

Material: PP+GF

Flammability: self-extinguishing acc. to UL94-V0

Temperature: -40°C... +155°C (static)

Features: halogens and silicones free

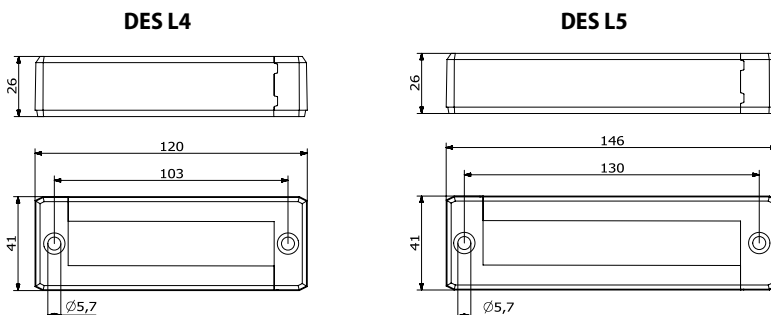
Related products

SPP grommets (from page 40)

HY360 hydraulic punch driver

DES caps

Dimensions [mm]



* Indoor only



IP66

NEMA 12, 4X

UL TYPE 12, 4X



ECOLAB



RoHS COMPLIANT

IK10





Splittable frame with threaded inserts

- ▶ Flat surface without dirt deposit
- ▶ **Rear installation with M4 threaded inserts**
- ▶ IIP66, Nema 4X* with any grommets combination
- ▶ Strain relief acc. EN 62444
- ▶ Sturdy construction IK10
- ▶ Overmolded gasket for full UL94V0 system



M4 threaded inserts



| Model | Code | Example | Max. cut-out [mm] | Pcs /pack |
|-----------|------------|---------|-------------------|-----------|
| DES L2 FT | 1731410002 | | 40x18 | 10 |
| DES L3 FT | 1731410003 | | 63x18 | |
| DES L4 FT | 1731410004 | | 86x18 | |
| DES L5 FT | 1731410005 | | 112x18 | |
| DES Q FT | 1731410008 | | 40x39 | |
| DES 10 FT | 1731410010 | | 63x39 | |
| DES 16 FT | 1731410016 | | 86x39 | |
| DES 24 FT | 1731410024 | | 112x39 | |

The DES FT splittable frames are equipped with threaded inserts and with front taps which allow the installation on the rear part of the panel and keep the front part clean avoiding dirt accumulation.

All the other technical data of the DES FT frames are exactly the same of DES Series.

Technical data

Material: PP+GF

Flammability: self-extinguishing acc. to UL94-V0

Temperature: -40°C... +155°C (static)

Features: halogens and silicones free

Related products

SPP grommets (from page 40)

SPG grommets (from page 44)

DES Cover

DES Flap

HY360 hydraulic punch driver

PF/PFX cable entry system plates

DES caps

1

* Indoor only



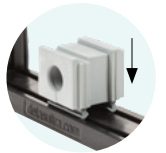


DES 24-90



Splittable frame for cables with and without connectors

- ▶ 90° cable entry
- ▶ Multiple configurations in the same frame
- ▶ Frame screws in AISI304 Stainless Steel
- ▶ IP54
- ▶ Strain relief according to EN 62444
- ▶ Sturdy construction IK10



| Model | Code | Some possible configurations | Max. cut-out [mm] | Pcs /pack |
|-----------|------------|------------------------------|-------------------|-----------|
| DES 24-90 | 1731010124 | | 112 x 39 | 10 |

The 90° cable entry system DES24-90 is used when the machinery construction does not allow the straight cables entrance, or when a nice design is requested.

This cable entry system is suitable for both cables with or without connectors and corrugated conduits, or a mix of them. The grommets can be freely accommodated into the frame.

Technical data

Material: PP+GF

Flammability: self-extinguishing acc. to UL94-V0

Temperature: -40°C... +155°C (static)

Features: halogens and silicones free

Related products

SPP grommets (from page 40)

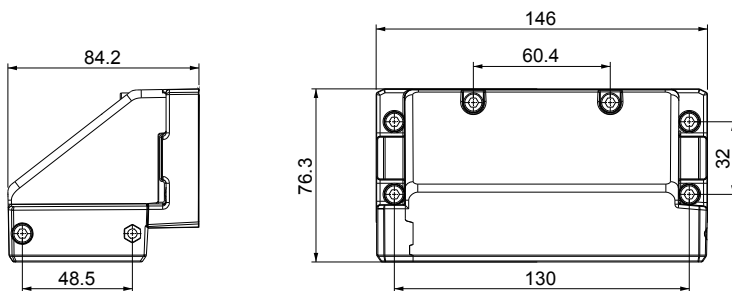
SPG grommets (from page 44)

DES Cover

HY360 hydraulic punch driver

1

Dimensions [mm]



IP54

NEMA 12

UL TYPE 12



ECOLAB

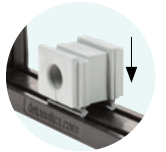


IK10



Splittable frame for cables with and without connectors

- ▶ Multiple configurations with small and big grommets
- ▶ Frame screws in AISI304 Stainless Steel
- ▶ External gasket included
- ▶ Strain relief according to EN 62444
- ▶ Sturdy construction IK10
- ▶ Threaded inserts version on request



| Model | Code | Some possible configurations | Max. cut-out [mm] | Pcs /pack |
|---------------|------------|---|-------------------|-----------|
| DES 24M | 1731010224 | | 114 x 40 | 10 |
| Upon request: | 1731991020 | Set of 4 mounting screws in AISI304 with Black Dacromet finishing | | |

The DES 24M splittable frame allow up to 40 cables with or without connector or one or two cables up to 35mm diameter to pass through electric cabinet or machines walls.

The small and big grommets can be freely positioned inside the frame.

The DES 24M frame is the base structure for the expandable MX version.

Technical data

Material: PP+GF

Flammability: self-extinguishing acc. to UL94-V0

Temperature: -40°C... +155°C (static)

Features: halogens and silicones free

Related products

SPP grommets (from page 40)

SPG grommets (from page 44)

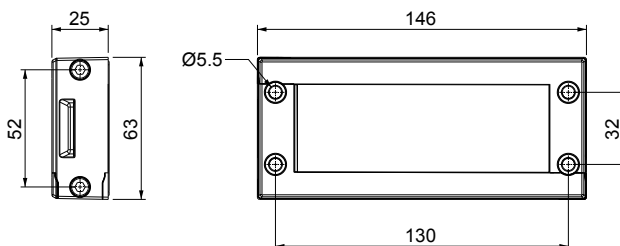
DES Cover

HY360 hydraulic punch driver

PF cable entry system plates

DES caps

Dimensions [mm]





DES 24MX15


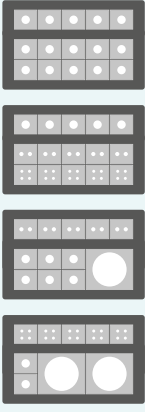


Splittable frame for cables with and without connectors

- ▶ Multiple configurations in the same frame
- ▶ Frame screws in AISI304 Stainless Steel
- ▶ Degree of protection IP54
- ▶ Strain relief acc. to EN 62444
- ▶ Sturdy construction IK10
- ▶ External gasket included
- ▶ Threaded inserts version on request

NEW



| Model | Code | Some possible configurations | Dimensions L x H [mm] | Max. cut-out. [mm] | Pz x conf. |
|---|------------|--|--------------------------|-----------------------|---------------|
|  DES 24MX15 | 1731010215 |  | 146 x 95,4 | 114 x 70 | 1 |
| Upon request: | 1731991020 | Set of 4 mounting screws in AISI304 with Black Dacromet finishing | | | |

The DES 24MX15 splittable frame allow up to 60 cables with or without connector or one or two cables up to 35mm diameter to pass through electric cabinet or machines walls.

The small and big grommets can be freely positioned inside the frame.

The DES 24MX15 is closed thanks to three stainless steel screws on the right side.

Technical data

Material: PP+GF

Flammability: self-extinguishing acc. to UL94-V0

Temperature: -40°C... +155°C (static)

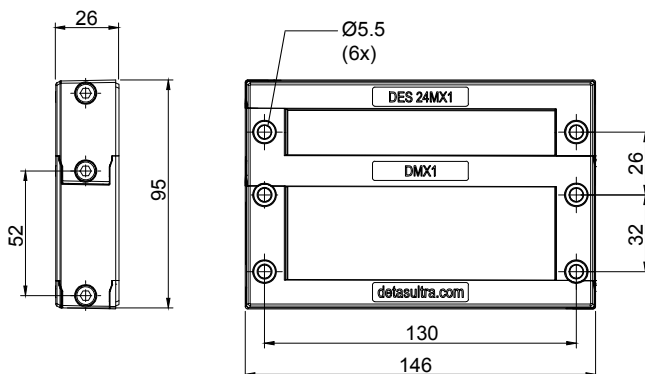
Features: halogens and silicones free

Related products

SPP grommets (from page 40)

SPG grommets (from page 44)

Dimensions [mm]



IP54

NEMA 12



ECOLAB

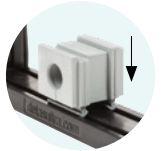



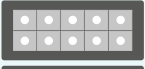




IK10



Modular frames for cables with and without connectors

- ▶ Multiple configurations with small and big grommets
- ▶ Frame screws in AISI304 Stainless Steel
- ▶ IP54
- ▶ Strain relief according to EN 62444
- ▶ Sturdy construction IK10
- ▶ External gasket included



| Model | Code | Some possible configurations per module | Dimensions L x H [mm] | Max. cut-out [mm] | Pcs /pack |
|--|------------|---|--------------------------|----------------------|--------------|
|  DES 24MX2 | 1731010252 |  | 146 x 115 | 114 x 92 | 1 |
|  DES 24MX3 | 1731010253 |  | 146 x 166 | 114 x 144 | |
|  DES 24MX4 | 1731010254 |  | 146 x 218 | 114 x 196 | |

Other models upon request

| | | |
|---------------|------------|---|
| Upon request: | 1731991020 | Set of 4 mounting screws in AISI304 with Black Dacromet finishing |
|---------------|------------|---|

The DES 24MX splittable frames family is a modular solution for installations where a big quantity of cables need to be routed through electrical cabinets walls or machines.

This solution is not only modular but it is also a general solution that can be adopted as main cables entrance. Both cables with or without connector can be routed (40 for each module) and future updates can easily be organized in the cheapest and fastest way.

Technical data

Material: PP+GF

Flammability: self-extinguishing acc. to UL94-V0

Temperature: -40°C... +155°C (static)

Features: halogens and silicones free

Related products

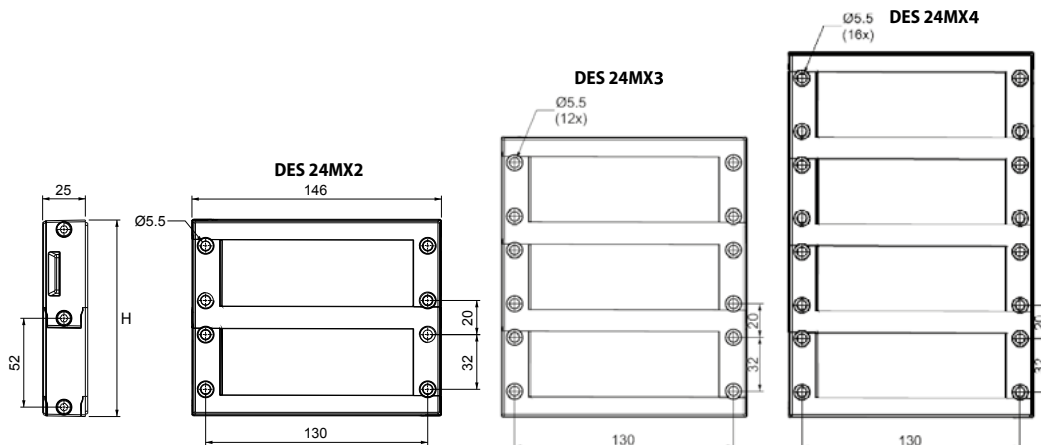
SPP grommets (from page 40)

SPG grommets (from page 44)

PF/PFX cable entry system plates

DES caps

Dimensions [mm]



IP54

NEMA 12



ECOLAB



IK10



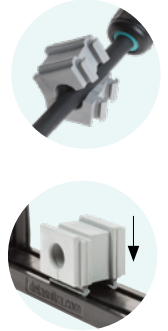
DES 16M



Splittable frame for cables with and without connectors

- ▶ Multiple configurations with small and big grommets
- ▶ Frame screws in AISI304 Stainless Steel
- ▶ External gasket included
- ▶ Strain relief according to EN 62444
- ▶ Sturdy construction IK10
- ▶ Threaded inserts version on request

NEW



| Model | Code | Some possible configurations | Max. cut-out [mm] | Pcs /pack |
|---------------|------------|---|-------------------|-----------|
| DES 16M | 1731010216 | | 86 x 40 | 10 |
| Upon request: | 1731991020 | Set of 4 mounting screws in AISI304 with Black Dacromet finishing | | |

The DES 16M splittable frame allow up to 32 cables with or without connector or one or two cables up to 35mm diameter to pass through electric cabinet or machines walls.

The small and big grommets can be freely positioned inside the frame.

The DES 16M frame is the base structure for the expandable MX version.

Technical data

Material: PP+GF

Flammability: self-extinguishing acc. to UL94-V0

Temperature: -40°C... +155°C (static)

Features: halogens and silicones free

Related products

SPP grommets (from page 40)

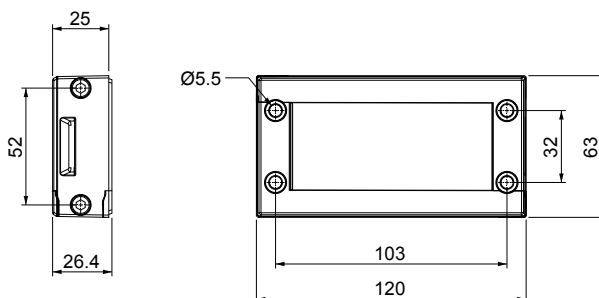
SPG grommets (from page 44)

DES Cover

HY360 hydraulic punch driver

DES caps

Dimensions [mm]



IP54

NEMA 12



ECOLAB

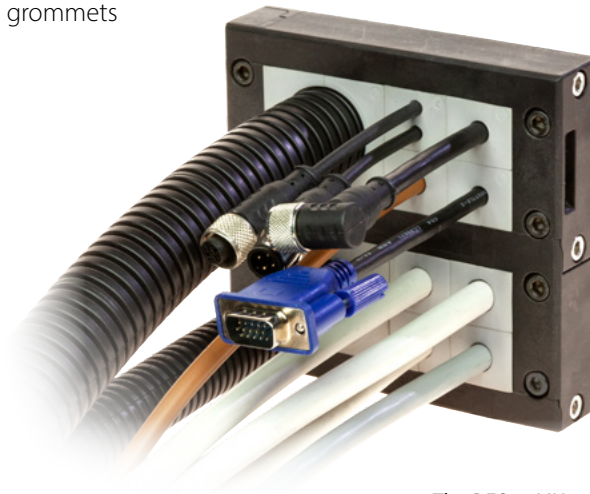


IK10

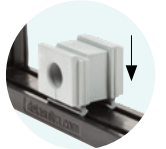


Modular frames for cables with and without connectors

- ▶ Multiple configurations with small and big grommets
- ▶ Frame screws in AISI304 Stainless Steel
- ▶ IP54
- ▶ Strain relief according to EN 62444
- ▶ Sturdy construction IK10
- ▶ External gasket included



NEW



| Model | Code | Some possible configurations per module | Dimensions L x H [mm] | Max. cut-out [mm] | Pcs /pack |
|-----------|------------|---|--------------------------|----------------------|--------------|
| DES 16MX2 | 1731010262 | | 120 x 115 | 86 x 92 | 1 |
| DES 16MX3 | 1731010263 | | 120 x 167 | 86 x 144 | |
| DES 16MX4 | 1731010264 | | 120 x 219 | 86 x 196 | |

Other models upon request

The DES 16MX splittable frames family is a modular solution for installations where a big quantity of cables need to be routed through electrical cabinets walls or machines.

This solution is not only modular but it is also a general solution that can be adopted as main cables entrance. Both cables with or without connector can be routed (32 for each module) and future updates can easily be organized in the cheapest and fastest way.

Technical data

Material: PP+GF

Flammability: self-extinguishing acc. to UL94-V0

Temperature: -40°C... +155°C (static)

Features: halogens and silicones free

Related products

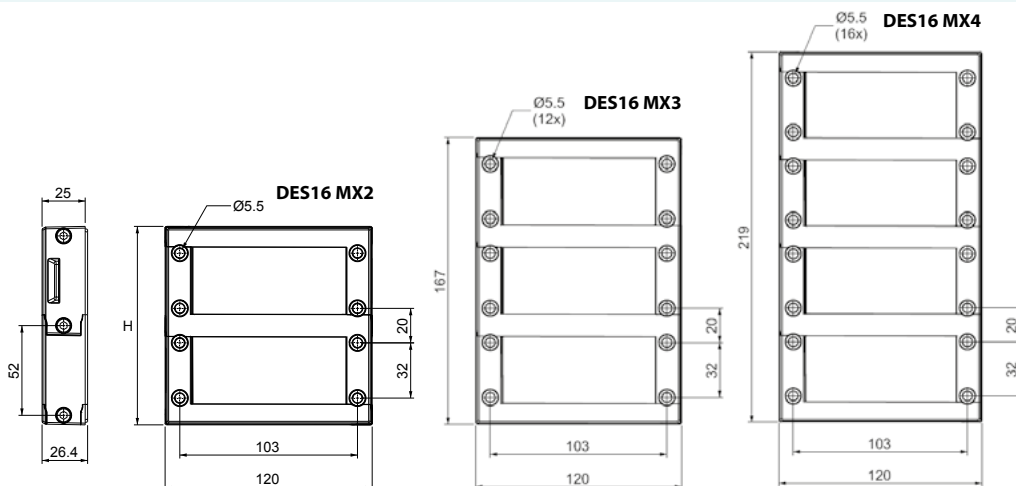
SPP grommets (from page 40)

SPG grommets (from page 44)

DES caps

| | | |
|---------------|------------|---|
| Upon request: | 1731991020 | Set of 4 mounting screws in AISI304 with Black Dacromet finishing |
|---------------|------------|---|

Dimensions [mm]



IP54

NEMA 12



ECOLAB



IK10



DES 24 CLICK



Splittable frame for cables with and without connectors

- ▶ For small and big grommets
- ▶ Without screws, snap closing
- ▶ Strain relief according to EN 62444
- ▶ Compact size
- ▶ IP54
- ▶ External gasket included
- ▶ Threaded inserts version on request
- ▶ UL94V0 for both grey and black grommets

NEW



| Model | Code | Some possible configurations | Max. cut-out [mm] | Pcs /pack |
|---------------|------------|---|-------------------|-----------|
| DES 24 CLICK | 1731010324 | | 112 x 36 | 10 |
| Upon request: | 1731991020 | Set of 4 mounting screws in AISI304 with Black Dacromet finishing | | |

The DES 24 CLICK splittable frame allows to accommodate up to 40 cables with or without connectors with diameters from 2 to 31 mm. The frame closing is made through two side hooks. Despite the absence of screws, the mechanical seal on the cable is perfect. The frame accepts 10 small grommets or 1 big grommet and 6 small grommets.

Technical data

Material: PP+GF

Flammability: self-extinguishing acc. to UL94-V0

Temperature: -40°C... +155°C (static)

Features: halogens and silicones free

Related products

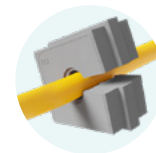
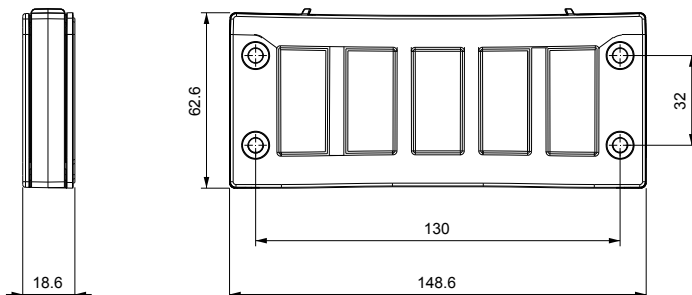
SPC grommets (page 37)

SPL grommets (pages 38-39)

HY360 hydraulic punch driver

PF cable entry system plates

Dimensions [mm]



IP54

NEMA 12



ECOLAB



RoHS COMPLIANT

IK10



Splittable frame for cables with and without connectors

NEW

- ▶ For small and big grommets (same frame)
- ▶ Without screws, snap closing
- ▶ Strain relief according to EN 62444
- ▶ Compact size
- ▶ IP54
- ▶ External gasket included
- ▶ Threaded inserts version on request
- ▶ UL94V0 for both grey and black grommets



| Model | Code | Some possible configurations | Max. cut-out [mm] | Pcs /pack |
|---------------|------------|---|-------------------|-----------|
| DES 16 CLICK | 1731010316 | | 86 x 36 | 10 |
| Upon request: | 1731991020 | Set of 4 mounting screws in AISI304 with Black Dacromet finishing | | |

The DES 16 CLICK splittable frame allows to accommodate up to 32 cables with or without connectors with diameters from 2 to 32 mm. The frame closing is made through two side hooks. Despite the absence of screws, the mechanical seal on the cable is perfect. The frame accepts 8 small grommets or 1 big grommet and 4 small grommets.

Technical data

Material: PP+GF

Flammability: self-extinguishing acc. to UL94-V0

Temperature: -40°C... +155°C (static)

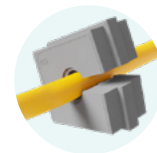
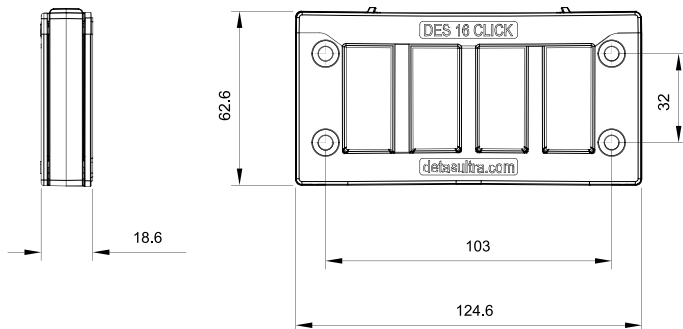
Features: halogens and silicones free

Related products

- SPC grommets (page 37)
- SPL grommets (pages 38-39)
- HY360 hydraulic punch driver
- PF cable entry system plates

1

Dimensions [mm]





DES 10 CLICK



Splittable frame for cables with and without connectors

- ▶ For small and big grommets (same frame)
- ▶ Without screws, snap closing
- ▶ Strain relief according to EN 62444
- ▶ Compact size
- ▶ IP54
- ▶ External gasket included
- ▶ Threaded inserts version on request
- ▶ UL94V0 for both grey and black grommets

NEW



| Model | Code | Some possible configurations | Max. cut-out [mm] | Pcs /pack |
|---------------|------------|---|-------------------|-----------|
| DES 10 CLICK | 1731010310 | | 63 x 36 | 10 |
| Upon request: | 1731991020 | Set of 4 mounting screws in AISI304 with Black Dacromet finishing | | |

The DES 10 CLICK splittable frame allows to accommodate up to 24 cables with or without connectors with diameters from 2 to 32 mm. The frame closing is made through two side hooks. Despite the absence of screws, the mechanical seal on the cable is perfect. The frame accepts 6 small grommets or 1 big grommet and 2 small grommets.

Technical data

Material: PP+GF

Flammability: self-extinguishing acc. to UL94-V0

Temperature: -40°C... +155°C (static)

Features: halogens and silicones free

Related products

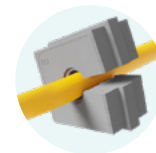
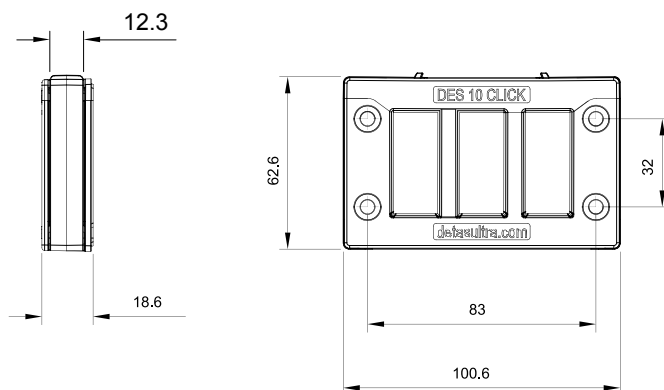
SPC grommets (page 37)

SPL grommets (pages 38-39)

HY360 hydraulic punch driver

PF cable entry system plates

Dimensions [mm]



IP54

NEMA 12



ECOLAB



RoHS COMPLIANT

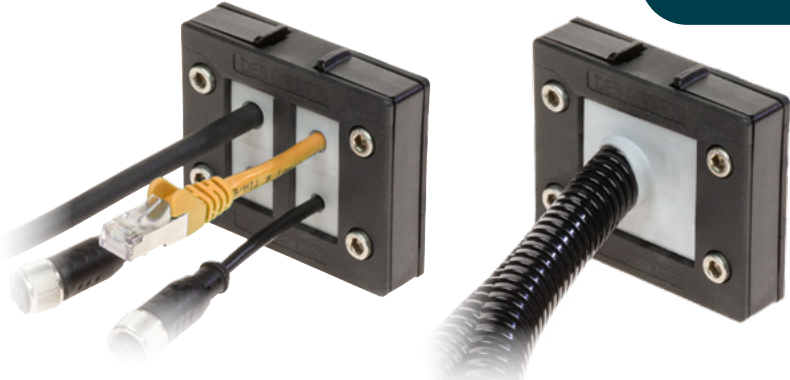
IK10



Splittable frame for cables with and without connectors

NEW

- ▶ For small and big grommets (same frame)
- ▶ Without screws, snap closing
- ▶ Strain relief according to EN 62444
- ▶ Compact size
- ▶ IP54
- ▶ External gasket included
- ▶ Threaded inserts version on request
- ▶ UL94V0 for both grey and black grommets



| Model | Code | Some possible configurations | Max. cut-out [mm] | Pcs /pack |
|---------------|------------|---|-------------------|-----------|
| DES Q CLICK | 1731010308 | | 40 x 36 | 10 |
| Upon request: | 1731991020 | Set of 4 mounting screws in AISI304 with Black Dacromet finishing | | |

The DES Q CLICK splittable frame allows to accommodate up to 16 cables with or without connectors with diameters from 2 to 32 mm. The frame closing is made through two side hooks. Despite the absence of screws, the mechanical seal on the cable is perfect. The frame accepts 4 small grommets or 1 big grommet.

Technical data

Material: PP+GF

Flammability: self-extinguishing acc. to UL94-V0

Temperature: -40°C... +155°C (static)

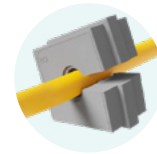
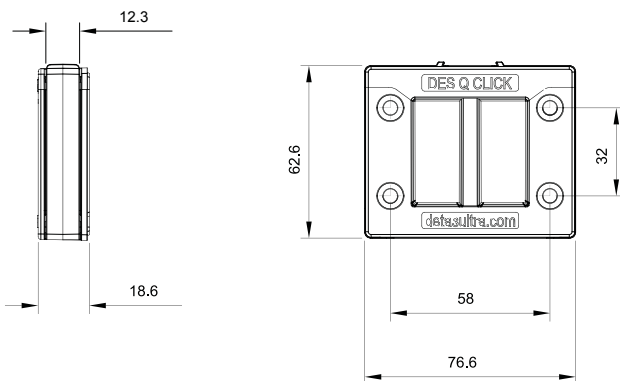
Features: halogens and silicones free

Related products

- SPC grommets (page 37)
- SPL grommets (pages 38-39)
- HY360 hydraulic punch driver
- PF cable entry system plates

1

Dimensions [mm]



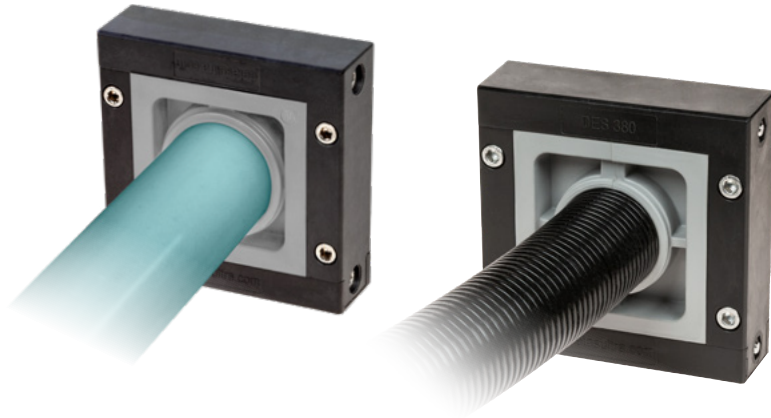



DES 380M



Modular frames for big diameter cables or corrugates tubes

- ▶ Fast and easy fixing of big diameter cables and corrugated pipes
- ▶ Diameters from 36 to 65 mm
- ▶ Free installation on 4 sides
- ▶ IP54
- ▶ Sturdy construction IK10
- ▶ No need of gasket
- ▶ AISI 304 screws



| Model | Code | Dimensions L x H [mm] | Max. cut-out [mm] | Pcs /pack |
|---|------------|--------------------------|----------------------|--------------|
| DES 380M  | 1731010270 | 116 x 116 | 72 x 72 | 1 |

The DES 380 splittable frame family includes the DES 380M and MX and is a modular solution for big size cables and corrugated pipes installations on electrical cabinets or machinery.

The system allows cable or corrugated pipes with diameter from 36 to 66 mm diameter to be secured in the cabinet entrance with fast and strain relief fixing.

The DES 380M is the base product for increasing the number of cables thanks to the modular capabilities of the 380 MX system.

Technical data

Material: PP+GF

Flammability: self-extinguishing acc. to UL94-V0

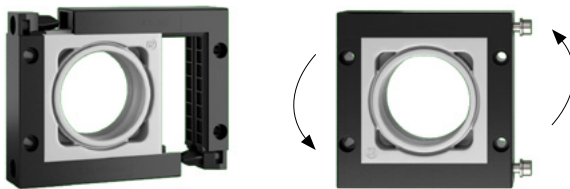
Temperature: -40°C... +155°C (static)

Features: halogens and silicones free

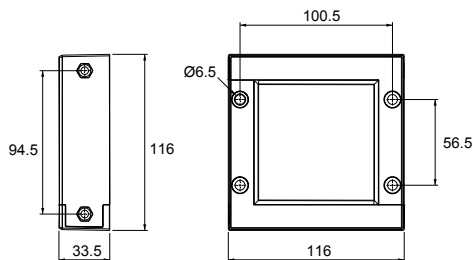
Related products

SPH grommets (page 49)

PF cable entry system plates



Dimensions [mm]



IP54

NEMA 12



ECOLAB

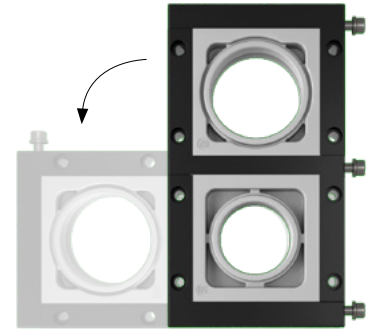





IK10



Modular frames for big diameter cables or corrugates tubes

- ▶ Fast and easy fixing of big diameter cables and corrugated pipes
- ▶ Modular system
- ▶ Diameters from 36 to 65 mm
- ▶ Horizontal or vertical installation
- ▶ IP54
- ▶ No need of gasket
- ▶ AISI 304 screws



| Model | Code | Dimensions L x H [mm] | Max. cut-out [mm] | Pcs /pack |
|---|------------|--------------------------|----------------------|--------------|
| DES 380MX2  | 1731010272 | 210,5 x 116 | 166,5 x 72 | 1 |
| DES 380MX3  | 1731010273 | 305 x 116 | 261 x 72 | |
| DES 380MX4  | 1731010274 | 399,5 x 116 | 355,5 x 72 | |

Other models upon request

The splittable DES 380MX frames are used for routing big diameter cables and corrugated pipes through electric, machinery or main cabinets.

The solution is modular meaning that the customer can buy the 4 frames for using them for 4 or less cables. Then he can add an accessory and increase easily the number of cables limitless.

Technical data

Material: PP+GF

Flammability: self-extinguishing acc. to UL94-V0

Temperature: -40°C... +155°C (static)

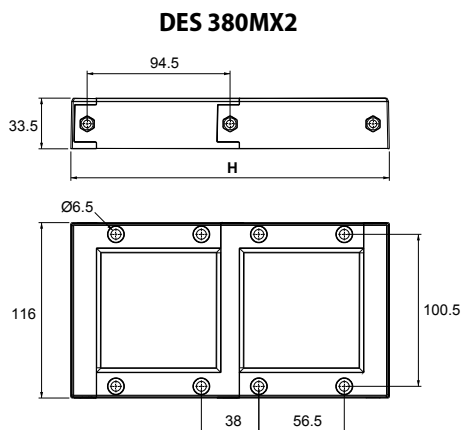
Features: halogens and silicones free

Related products

SPH grommets (page 49)

PF cable entry system plates

Dimensions [mm]





DES COVER



Sealing plates for DES series

- ▶ Fast installation
- ▶ Gasket included
- ▶ Same holes position of the DES Systems
- ▶ IP54



| Model | Code | Dimensions [mm] | | Pcs /pack |
|---------------|------------|---|-----|-----------|
| | | L1 | L2 | |
| DES COVER 24 | 1731032024 | 146 | 130 | 10 |
| DES COVER 16 | 1731032016 | 120 | 103 | |
| DES COVER 10 | 1731032010 | 99 | 83 | |
| DES COVER Q | 1731032008 | 74 | 58 | |
| Upon request: | 1731991020 | Set of 4 mounting screws in AISI304 with Black Dacromet finishing | | |

The DES COVER plates allow to protect the unused gaps in the cabinet, avoiding contact with the outer environment.

Technical data

Material: PP+GF

Flammability: self-extinguishing acc. to UL94-V0

Temperature: -40°C... +155°C (static)

Features: halogens and silicones free

Related products

DES 24

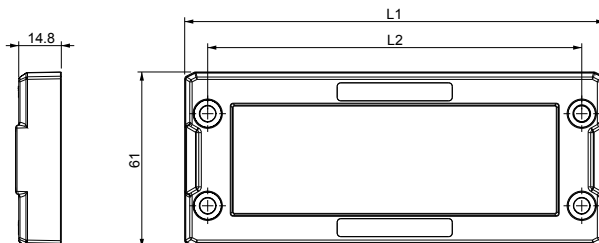
DES 16

DES 10

DES Q

1

Dimensions [mm]



IP54

NEMA 12

ECOLAB

UL94-V0

UV ISO 4892-2A

RoHS COMPLIANT



Fast fixing solution for DES splittable frames

- ▶ Snap fixing for the DES Series
- ▶ Gasket included
- ▶ Same holes position of the DES Systems
- ▶ IP54



| Model | Code | Dimensions [mm] | | Max. cut-out [mm] | Pcs /pack |
|-------------|------------|-----------------|-----|-------------------|-----------|
| | | L1 | L2 | | |
| DES FLAP 24 | 1731031024 | 153 | 130 | 112 x 39 | 10 |
| DES FLAP 16 | 1731031016 | 127 | 103 | 86 x 39 | |
| DES FLAP 10 | 1731031010 | 106 | 83 | 63 x 39 | |
| DES FLAP Q | 1731031008 | 81 | 58 | 40 x 39 | |

The DES FLAP solution enables the DES 24, 16, 10 and Q frames to be installed with a quick snap-in connection.

The FLAP frame, once installed, hooks over the split frame and is the best solution for a flexible installation. Enclosures can be later inspected quickly and easily be dismantled.

Technical data

Material: PP+GF

Flammability: self-extinguishing acc. to UL94-V0

Temperature: -40°C... +155°C (static)

Features: halogens and silicones free

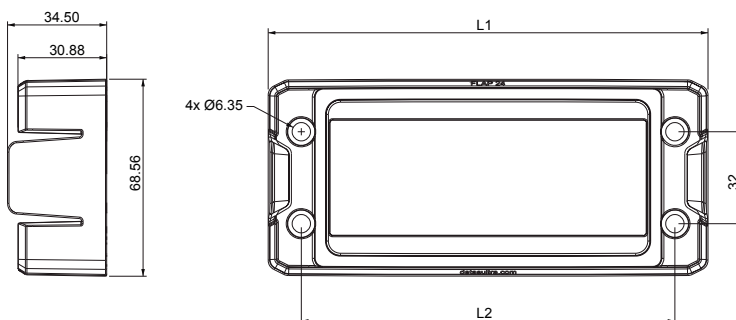
Related products

- DES 24
- DES 16
- DES 10
- DES Q
- DES Cover
- PF cable entry system plates



1

Dimensions [mm]



IP54

NEMA 12

UL TYPE 12



ECOLAB



RoHS COMPLIANT

Divisible cable glands

OSF

Snap mounting no screws

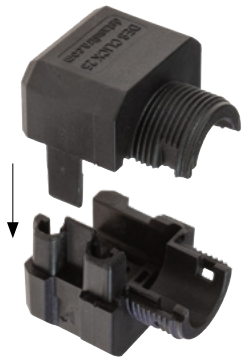
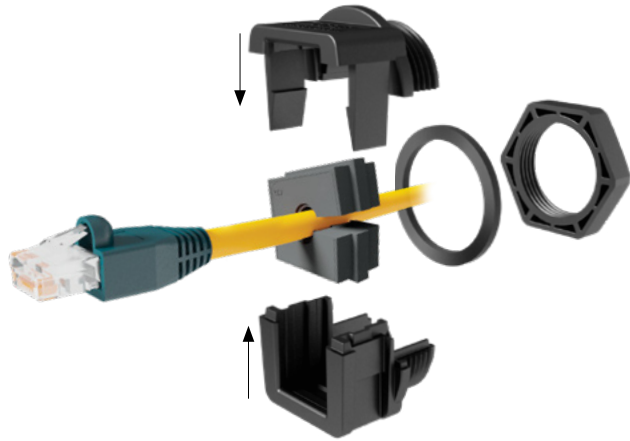
Versions with or without locknut

90° cable entry version

M16 / M20 / M25 / M32

IP54

For SPC grommets



DESCCLICK

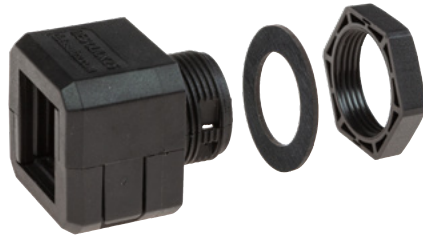
Snap mounting no screws

With locknut

M20 / M25 / M32 / M50

IP54

For SPP grommets



DESPRED

AISI316L Dacromet screws

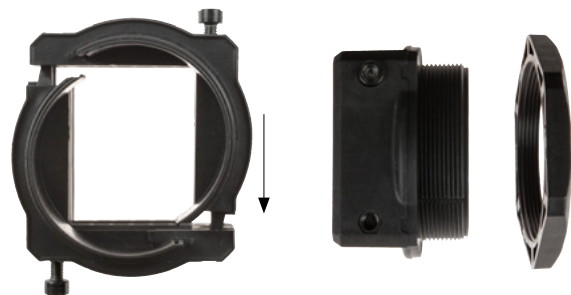
With Locknut

M25 / M32 / M63

Up to 16 cables

IP66 - NEMA 4X

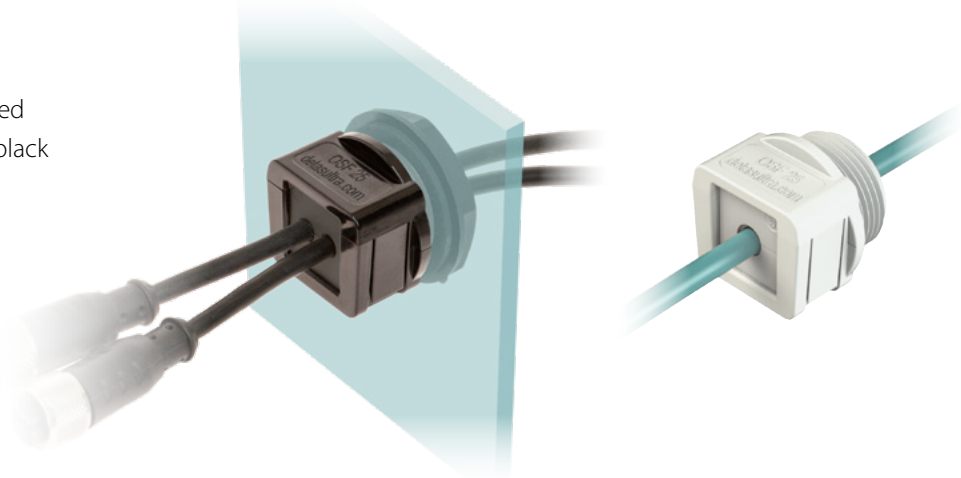
For SPP/SPG grommets





Divisible cable glands with locknut

- ▶ Metric sizes
- ▶ Without screws
- ▶ IP54
- ▶ Locknut and gasket included
- ▶ Available colors: grey and black



| Model | Code | Max. grommet sizes | | | Cut-out Ø [mm] | Pcs /pack |
|---------|------------|--------------------|---------|-------------|-------------------|--------------|
| | | ● ● | ● ● ● ● | ● ● ● ● ● ● | | |
| OSF 16G | 1731052316 | SPC 10 | SPC 2x4 | SPC 4x4 | 16,5 | 10 |
| OSF 20G | 1731052320 | SPC 14 | SPC 2x5 | SPC 4x5 | 20,5 | |
| OSF 25G | 1731052325 | SPC 14 | SPC 2x7 | SPC 4x6 | 25,5 | |
| OSF 32G | 1731052332 | SPC 14 | SPC 2x7 | SPC 4x6 | 32,5 | |
| OSF 16B | 1731052416 | SPC 10 | SPC 2x4 | SPC 4x4 | 16,5 | |
| OSF 20B | 1731052420 | SPC 14 | SPC 2x5 | SPC 4x5 | 20,5 | |
| OSF 25B | 1731052425 | SPC 14 | SPC 2x7 | SPC 4x6 | 25,5 | |
| OSF 32B | 1731052432 | SPC 14 | SPC 2x7 | SPC 4x6 | 32,5 | |

OSF is a divisible cable gland with metric thread especially designed for cables with connectors.

The compact size and nice design are just a few of the countless advantages of the OSF Family.

OSF can be equipped with SPC grommets with single or multiple holes for both black and grey UL94V0 colors.

Technical data

Material: PC

Flammability: self-extinguishing acc. to UL94-V0

Temperature: -40°C... +130°C (static)

Features: halogens and silicones free

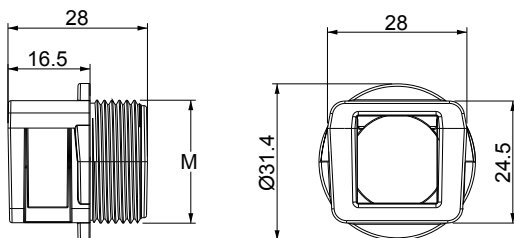
Related products

SPC grommets (page 37)

HY360 hydraulic punch driver

Divisible locknuts (page 35-36)

Dimensions [mm]





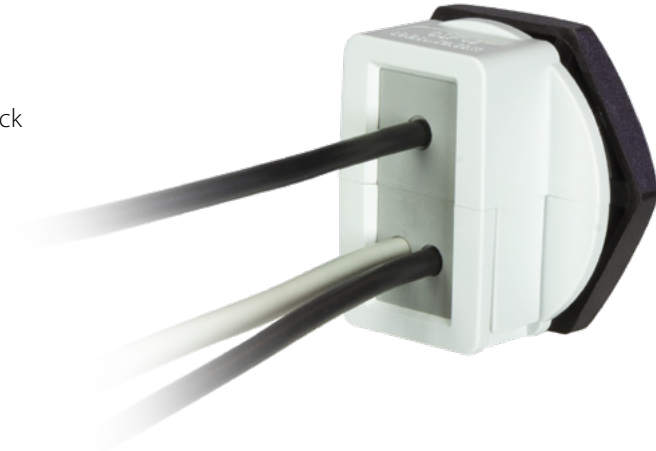
OSF40



Divisible cable gland with locknut

NEW

- ▶ M40 metric size
- ▶ Without screws
- ▶ IP54
- ▶ Locknut and gasket included
- ▶ Available colors: grey and black



| Model | Code | Max. grommet sizes | | | Cut-out Ø [mm] | Pcs pack |
|--------|------------|--------------------|---------|---------|-------------------|-------------|
| | | | | | | |
| OSF40G | 1731052340 | SPC 14 | SPC 2x7 | SPC 4x6 | 40,5 | 10 |
| OSF40B | 1731052440 | SPC 14 | SPC 2x7 | SPC 4x6 | | |

OSF 40 is a divisible cable gland with metric thread especially designed for cables with connectors.

Is it possible to route up to 16 cables with connectors.

OSF 40 can be equipped with SPC grommets with single or multiple holes for both black and grey UL94V0 colors.

Technical data

Material: PC

Flammability: self-extinguishing acc. to UL94-V0

Temperature: -40°C... +130°C (static)

Features: halogens and silicones free

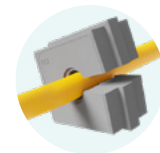
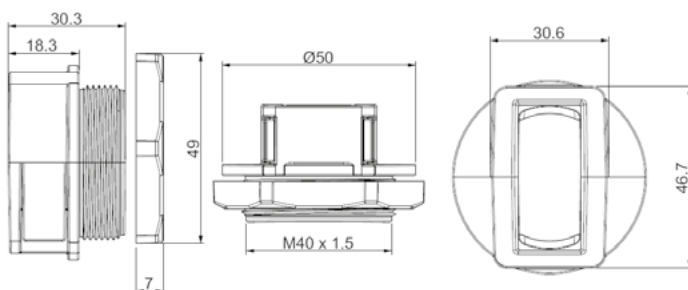
Related products

SPC grommets (page 37)

Divisible locknuts (page 35)

1

Dimensions [mm]



IP54

NEMA 12



UL94-V0



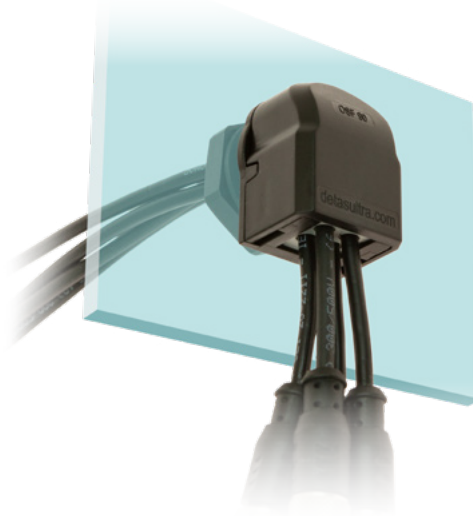
RoHS COMPLIANT

IK10



Divisible cable glands with 90° entry

- ▶ 90° cable entry system
- ▶ Without screws
- ▶ IP54
- ▶ Locknut included
- ▶ Available colors: grey and black



| Model | Code | Max. grommet sizes | | | Cut-out Ø [mm] | Pcs /pack |
|-----------|------------|--------------------|---------|---------|-------------------|--------------|
| | | | | | | |
| OSF90 16G | 1731052916 | SPC 10 | SPC 2x4 | SPC 4x4 | 16,5 | 10 |
| OSF90 20G | 1731052920 | SPC 10 | SPC 2x5 | SPC 4x5 | 20,5 | |
| OSF90 25G | 1731052925 | SPC 10 | SPC 2x7 | SPC 4x6 | 25,5 | |
| OSF90 32G | 1731052932 | SPC 10 | SPC 2x7 | SPC 4x6 | 32,5 | |
| OSF90 16B | 1731052917 | SPC 10 | SPC 2x4 | SPC 4x4 | 16,5 | |
| OSF90 20B | 1731052921 | SPC 10 | SPC 2x5 | SPC 4x5 | 20,5 | |
| OSF90 25B | 1731052926 | SPC 10 | SPC 2x7 | SPC 4x6 | 25,5 | |
| OSF90 32B | 1731052933 | SPC 10 | SPC 2x7 | SPC 4x6 | 32,5 | |

Cable bend radius max. 20 mm

OSF90 is a 90° divisible cable gland with metric thread especially designed for cables with connectors. The 90° entry systems nice looking gives more "design" to the machine or cabinet.

The compact size and nice design are only few advantages of the OSF Family.

OSF 90 can be equipped with SPC grommets with single or multiple holes for both black and grey UL94V0 colors.

Technical data

Material: PC

Flammability: self-extinguishing acc. to UL94-V0

Temperature: -40°C... +130°C (static)

Features: halogens and silicones free

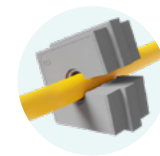
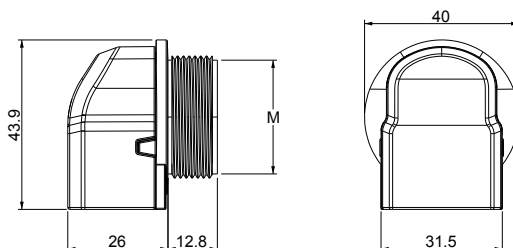
Related products

SPC grommets (page 37)

HY360 hydraulic punch driver

Divisible locknuts (page 35-36)

Dimensions [mm]





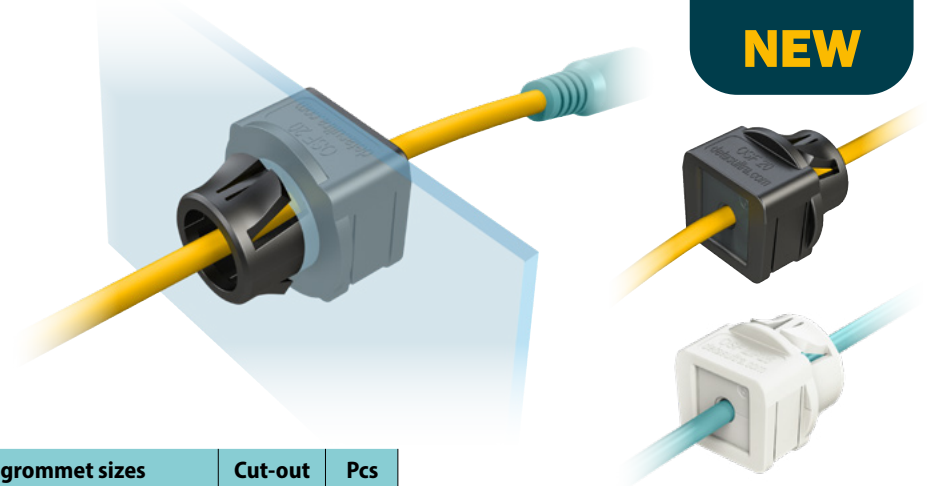
OSF ZIP



Divisible cable glands with snap mounting

- ▶ Without screws
- ▶ Snap mounting without locknut
- ▶ Wall thickness from 1,2 to 2 mm
- ▶ Gasket included
- ▶ IP54
- ▶ Grey or black version

NEW



| Model | Code | Max. grommet sizes | | | Cut-out Ø [mm] | Pcs /pack | |
|----------------------------|------------|--------------------|---------|-------------|-------------------|--------------|--|
| | | ● ● | ● ● ● ● | ● ● ● ● ● ● | | | |
| OSF ZIP 16G | 1731052716 | SPC 10 | SPC 2x4 | SPC 4x4 | 16,5 | 10 | |
| OSF ZIP 20G | 1731052720 | SPC 14 | SPC 2x5 | SPC 4x5 | 20,5 | | |
| OSF ZIP 25G | 1731052725 | SPC 14 | SPC 2x7 | SPC 4x6 | 25,5 | | |
| OSF ZIP 32G | 1731052732 | SPC 14 | SPC 2x7 | SPC 4x6 | 32,5 | | |
| OSF ZIP 16B | 1731052816 | SPC 10 | SPC 2x4 | SPC 4x4 | 16,5 | | |
| OSF ZIP 20B | 1731052820 | SPC 14 | SPC 2x5 | SPC 4x5 | 20,5 | | |
| OSF ZIP 25B | 1731052825 | SPC 14 | SPC 2x7 | SPC 4x6 | 25,5 | | |
| OSF ZIP 32B | 1731052832 | SPC 14 | SPC 2x7 | SPC 4x6 | 32,5 | | |
| Disassembly bracket | | | | | | | |
| OSF ZH16 | 1731052850 | | | | | | |
| OSF ZH20 | 1731052851 | | | | | | |
| OSF ZH25 | 1731052852 | | | | | | |
| OSF ZH32 | 1731052853 | | | | | | |

OSF ZIP is a divisible cable gland for metric holes especially designed for cables with connectors. The installation can be made only from the front since no locknut is required.

OSF ZIP can be equipped with SPC grommets with single, double or quadruple holes from 2 to 14 mm diameter.

Technical data

Material: PC

Flammability: self-extinguishing acc. to UL94-V0

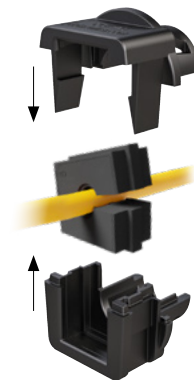
Temperature: -40°C... +130°C (static)

Features: halogens and silicones free

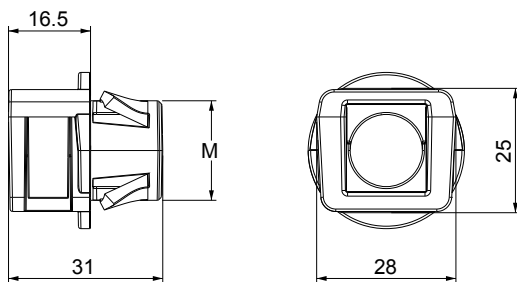
Related products

SPC grommets (page 37)

HY360 hydraulic punch driver



Dimensions [mm]



IP54

NEMA 12



IK10

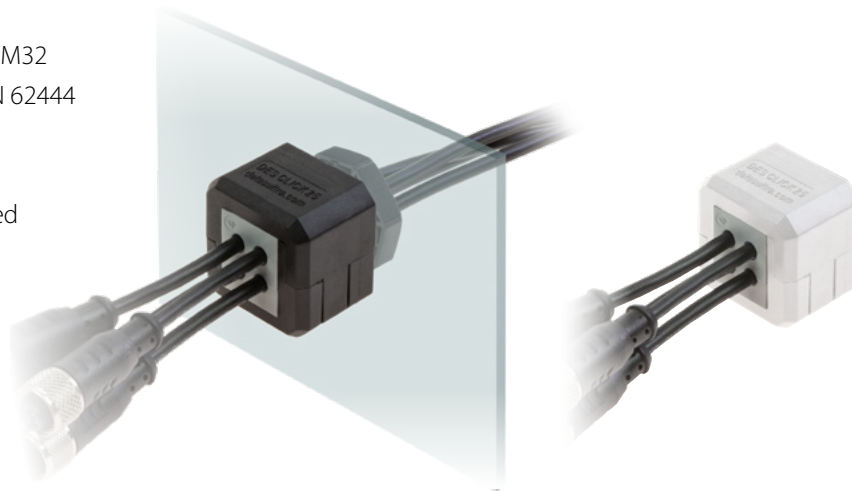


DESCCLICK



Divisible cable glands with locknut

- ▶ Without screws
- ▶ Metric sizes: M20, M25 and M32
- ▶ Strain relief according to EN 62444
- ▶ Sturdy construction IK10
- ▶ IP54
- ▶ Locknut and gasket included
- ▶ Grey or black version



DESCCLICK is a metric, divisible cable gland for cables with and without connectors.

DESCCLICK works with single and multiple cable grommets ranging from 2 to 16 mm diameter.

Technical data

Material: PC

Flammability: self-extinguishing acc. to UL94-V0

Temperature: -40°C... +130°C (static)

Features: halogens and silicones free

Related products

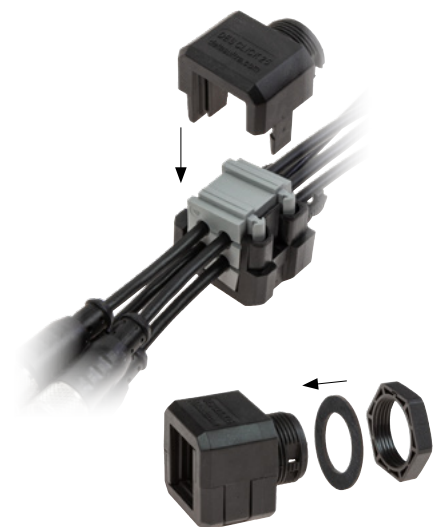
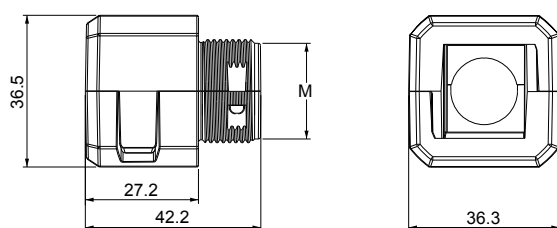
SPP grommets (from page 40)

HY360 hydraulic punch driver

Divisible locknuts (page 35-36)

| Model | Code | Max. grommet sizes | | | Cut-out Ø [mm] | Pcs /pack |
|---------------|------------|--------------------|---------|-------------|-------------------|--------------|
| | | ● ● | ● ● ● ● | ● ● ● ● ● ● | | |
| DESCCLICK 20B | 1731051020 | SPP 12 | SPP 2x5 | SPP 4x2 | 20,5 | 10 |
| DESCCLICK 25B | 1731051025 | SPP 16 | SPP 2x6 | SPP 4x4 | 25,5 | |
| DESCCLICK 32B | 1731051032 | SPP 16 | SPP 2x7 | SPP 4x6 | 32,5 | |
| DESCCLICK 20G | 1731051320 | SPP 12 | SPP 2x5 | SPP 4x2 | 20,5 | |
| DESCCLICK 25G | 1731051325 | SPP 16 | SPP 2x6 | SPP 4x4 | 25,5 | |
| DESCCLICK 32G | 1731051332 | SPP 16 | SPP 2x7 | SPP 4x6 | 32,5 | |

Dimensions [mm]



IP54

NEMA
12

UL TYPE
12



UL94-V0



RoHS
COMPLIANT

IK10



DESCCLICK 50



Divisible cable glands with locknut

- ▶ Without screws
- ▶ Strain relief according to EN 62444
- ▶ M50 metric size
- ▶ Sturdy construction IK10
- ▶ IP54



| Model | Code | Max. grommet sizes | | | | Cut-out Ø [mm] | Pcs /pack |
|---------------|------------|--------------------|------------|------------|-----------|-------------------|--------------|
| | | SPP 15 | SPP 2x6 | SPP 4x3 | SPG 34 | | |
| DESCCLICK 50B | 1731051050 | | | | | 50,5 | 10 |
| DESCCLICK 50G | 1731051350 | | | | | | |

Some possible configurations

DESCCLICK 50 is a divisible cable gland with M50 thread. It includes the M50 nut.

DESCCLICK 50 can be used for small, multiple, perforable and big grommets for cables with or without connectors.

Technical data

Material: PC

Flammability: self-extinguishing acc. to UL94-V0

Temperature: -40°C... +130°C (static)

Features: halogens and silicones free

Related products

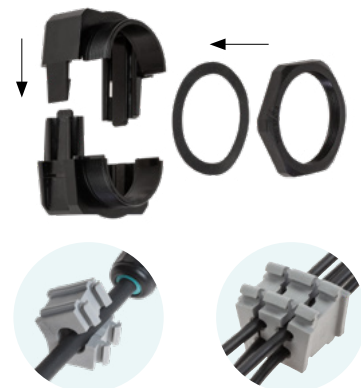
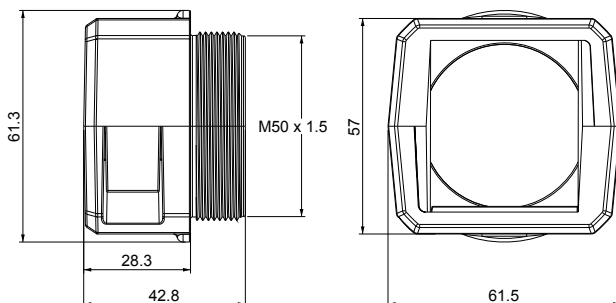
SPP grommets (from page 40)

SPG grommets (from page 44)

HY360 hydraulic punch driver

Divisible locknuts (page 35)

Dimensions [mm]



IP54

NEMA 12

UL TYPE 12



UL94-V0



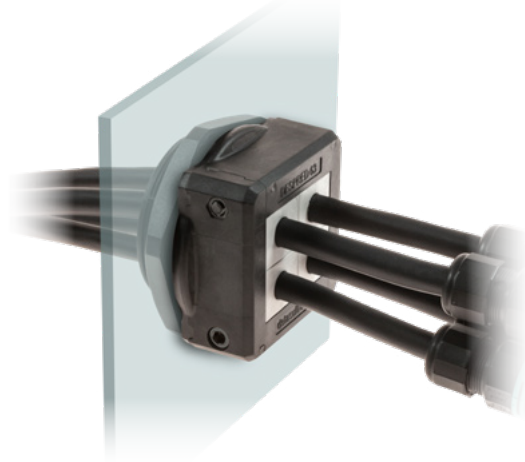
RoHS COMPLIANT

IK10



Divisible cable glands with locknut

- ▶ Frame screws in AISI304 Stainless Steel with Black Dacromet finishing
- ▶ M25, M32 and M63 metric sizes
- ▶ IP66 and Nema 4X* certified
- ▶ Strain relief according to EN 62444
- ▶ Sturdy construction IK10
- ▶ Integrated gasket
- ▶ ATEX version on request (see sec. 7)



| Model | Code | Some possible configurations | Cut-out Ø [mm] | Pcs /pack |
|------------|------------|------------------------------|----------------|-----------|
| DESPRED 25 | 1731050025 | | 25,5 | 10 |
| DESPRED 32 | 1731050032 | | 32,5 | |
| DESPRED 63 | 1731050063 | | 63,5 | |

The DESPRED series are divisible cable glands with metric thread.

The 63 model can be used with small, multiple and large grommets for cables up to to 34 mm diameter. With multiple grommets it is possible to accommodate up to 16 cables. Future cable size changes can also be easily accommodated using various grommets.

Technical data

Material: PP+GF

Flammability: self-extinguishing acc. to UL94-V0

Temperature: -40°C... +155°C (static)

Features: halogens and silicones free

Related products

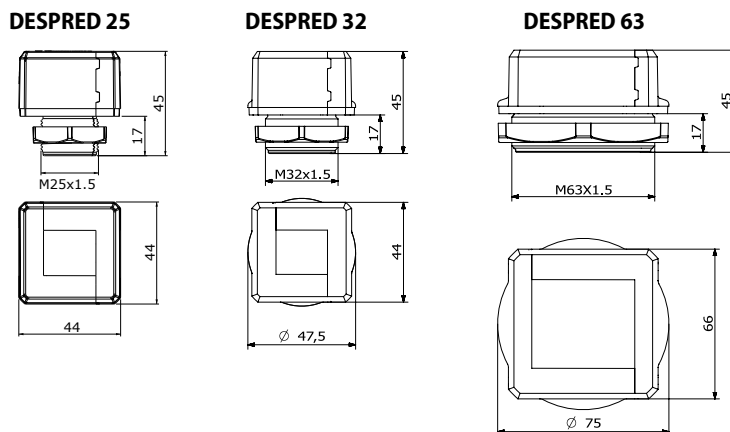
SPP grommets (from page 40)

SPG grommets (from page 44)

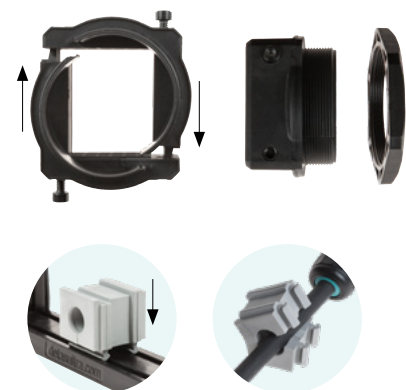
HY360 hydraulic punch driver

Divisible locknuts (page 35-36)

Dimensions [mm]



* Indoor only



IP66

NEMA 12, 4X

UL TYPE 12, 4X



ECOLAB



IK10



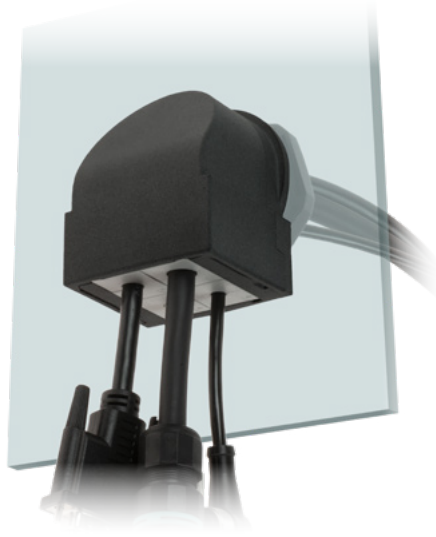


DESPRED 50-90



Divisible cable gland with locknut - 90° entry

- ▶ Without screws
- ▶ Metric size
- ▶ Strain relief according to EN 62444
- ▶ IP54
- ▶ Sturdy construction IK10



| Model | Code | Some possible configurations | Max. cut-out Ø [mm] | Pcs /pack |
|------------------|------------|------------------------------|------------------------|--------------|
| DESPRED 50-90 | 1731050250 | | 50,5 | 10 |

DESPRED 50-90 is a M50 metric, divisible cable gland with a 90° entry. It works with small, multiple and large grommets for cables ranging from 2 to 17 mm diameter.

The multiple grommets allow to accommodate up to 16 cables. Large grommets are used with corrugated tubes.

Technical data

Material: PA66+GF

Flammability: self-extinguishing acc. to UL94-V0

Temperature: -40°C... +155°C (static)

Features: halogens and silicones free

Related products

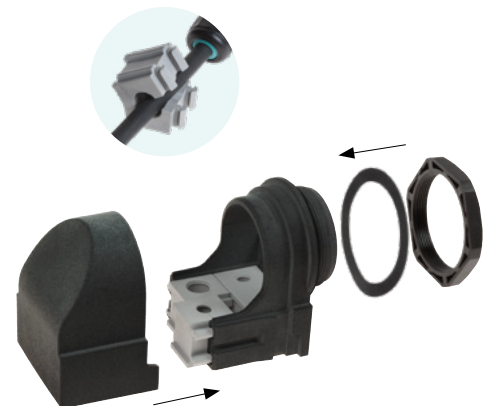
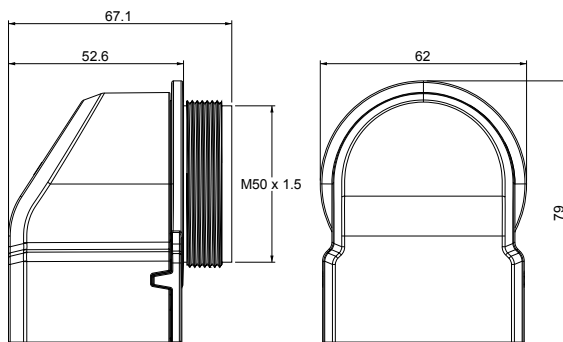
SPP grommets (from page 40)

SPG grommets (from page 44)

HY360 hydraulic punch driver

1

Dimensions [mm]



IP54

NEMA
12

UL TYPE
12



ECOLAB

UL94-V0



IK10



Divisible locknuts M20, M25, M32, M40, M50, M63

- ▶ Divisible metric thread locknuts
- ▶ UL94V0
- ▶ Black colour
- ▶ Recommended tightening torque 7 Nm

NEW



| Model | Code | Thread | Pcs pack |
|----------|------------|--------|----------|
| DDMD M20 | 1731253020 | M20 | 10 |
| DDMD M25 | 1731253025 | M25 | |
| DDMD M32 | 1731253032 | M32 | |
| DDMD M40 | 1731253040 | M40 | |
| DDMD M50 | 1731253050 | M50 | |
| DDMD M63 | 1731253063 | M63 | |

The DDMD divisible locknuts allow the pass through of connectors which are dimensionally larger than the conventional locknuts. Six sizes are available, all for metric threads.

Technical data

Material: PA66

Flammability: self-extinguishing acc. to UL94-V0

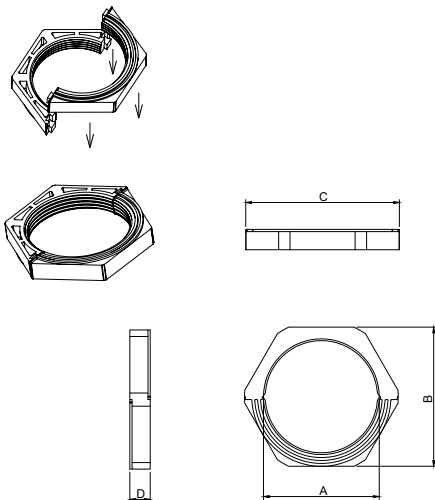
Temperature: -40°C... +120°C (static)

Features: halogens and silicones free

Related products

| | |
|---------|------------|
| OSF | DESPRED ZZ |
| OSF40 | DESLICK |
| OSF 90 | DESLICK 50 |
| DESPRED | DESLICK Z |

Dimensions [mm]





DDM SUB-D9



Divisible locknut

- ▶ Divisible metric thread locknuts, suitable to SUB-D9 connector (DVI, Profibus)
- ▶ UL94-V0
- ▶ Black colour
- ▶ Recommended tightening torque 8 Nm



| Model | Code | Thread | Pcs pack |
|------------|------------|------------------------|----------|
| DDM SUB-D9 | 1731052032 | Locknut M32 for SUB-D9 | 10 |

This locknut allows the pass through of SUB-D9 connectors (DVI or PROFIBUS), in the case of using a M32 cable gland, simplify machinery wiring.

Available on demand and suitable to: DESCLICK 32, DESPRED 32, DESPRED ZZ 32, OSF 32.

Technical data

Material: Polyamide (PA66)

Flammability: self-extinguishing acc. to UL94-V0

Temperature: -40°C... +120°C (static)

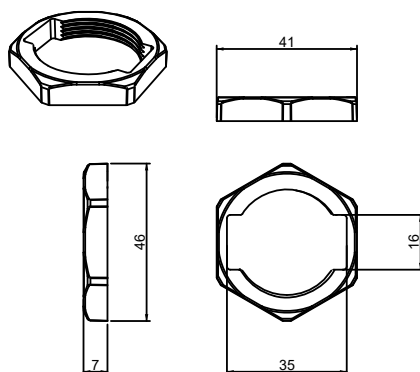
Features: halogens and silicones free

Related products

| | |
|---------|-------------|
| OSF | DESPRED ZZ |
| OSF 90 | DESCCLICK |
| DESPRED | DESCCLICK Z |

1

Dimensions [mm]

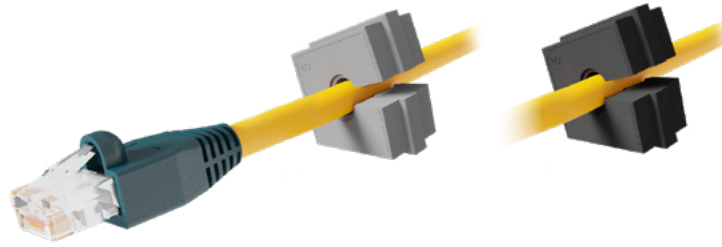


IK10



Grommets single, double, quadruple for OSF Family

- ▶ Openable cable grommets for diameters from 2 to 14 mm
- ▶ "Blind" version available
- ▶ Grey and black versions
- ▶ UL94-V0 for both colors



| Model | Code | Ø Cable [mm] | Model | Code | Pcs /pack |
|------------|------------|--------------|------------|------------|-----------|
| | | ■ | | | |
| SPC 0G | 1731052500 | "blind" | SPC 0B | 1731052600 | 10 |
| SPC 2G | 1731052502 | 2-3 | SPC 2B | 1731052602 | |
| SPC 3G | 1731052503 | 3-4 | SPC3B | 1731052603 | |
| SPC 4G | 1731052504 | 4-5 | SPC 4B | 1731052604 | |
| SPC 5G | 1731052505 | 5-6 | SPC 5B | 1731052605 | |
| SPC 6G | 1731052506 | 6-7 | SPC 6B | 1731052606 | |
| SPC 7G | 1731052507 | 7-8 | SPC 7B | 1731052607 | |
| SPC 8G | 1731052508 | 8-9 | SPC 8B | 1731052608 | |
| SPC 9G | 1731052509 | 9-10 | SPC 9B | 1731052609 | |
| SPC 10G | 1731052510 | 10-11 | SPC 10B | 1731052610 | |
| SPC 11G | 1731052511 | 11-12 | SPC 11B | 1731052611 | |
| SPC 12G | 1731052512 | 12-13 | SPC 12B | 1731052612 | |
| SPC 13G | 1731052513 | 13-14 | SPC 13B | 1731052613 | |
| SPC 14G | 1731052514 | 14-15 | SPC 14B | 1731052614 | |
| | | ■ ■ | | | |
| SPC 2x2G | 1731052522 | 2 | SPC 2x2B | 1731052622 | 10 |
| SPC 2x3G | 1731052523 | 3 | SPC 2x3B | 1731052623 | |
| SPC 2x4G | 1731052524 | 4 | SPC 2x4B | 1731052624 | |
| SPC 2x5G | 1731052525 | 5 | SPC 2x5B | 1731052625 | |
| SPC 2x6G | 1731052526 | 6 | SPC 2x6B | 1731052626 | |
| SPC 2x7G | 1731052527 | 7 | SPC 2x7B | 1731052627 | |
| | | ■ ■ ■ | | | |
| SPC 4x2G | 1731052532 | 2 | SPC 4x2B | 1731052632 | 10 |
| SPC 4x3G | 1731052533 | 3 | SPC 4x3B | 1731052633 | |
| SPC 4x4G | 1731052534 | 4 | SPC 4x4B | 1731052634 | |
| SPC 4x4,5G | 1731052537 | 4,5 | SPC 4x4,5B | 1731052637 | |
| SPC 4x5G | 1731052535 | 5 | SPC 4x5B | 1731052635 | |
| SPC 4x6G | 1731052536 | 6 | SPC 4x6B | 1731052636 | |

The SPC cable grommets are openable grommets which can be used into the OSF or DES "XX" CLICK series for routing preterminated cables with diameters from 2 to 14 mm.

The 2X and 4X allow multiple cables to be routed into the same cable gland.

Technical data

Material: TPE

Flammability: self-extinguishing acc. to UL94-V0 (grey or black)

Temperature: -40°C... +110°C (static)

Features: halogens and silicones free

Related products

OSF

OSF 90

OSF ZIP

DES 24 CLICK

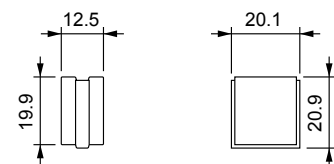
DES 16 CLICK

DES 10 CLICK

DES Q CLICK



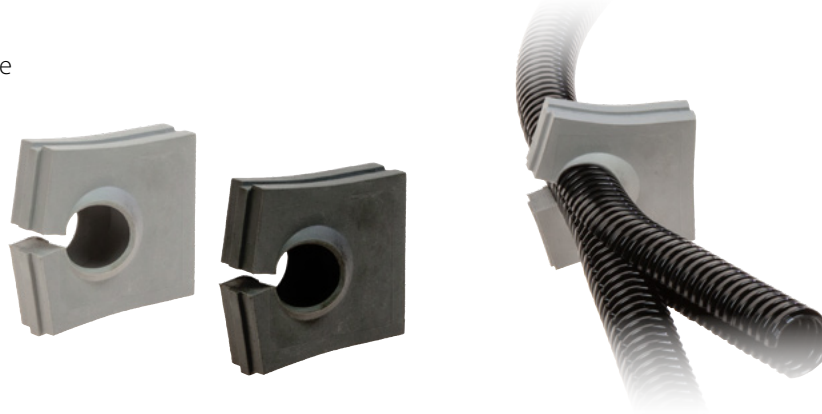
Dimensions [mm]





DES grommets - large with extended range

- ▶ Large grommets for cables from 11,5 to 31 mm diameter
- ▶ Usable in CLICK frames
- ▶ "Blind" version available
- ▶ Grey and black colours available
- ▶ UL94-V0 for both colours
- ▶ IP54



| Model | Code | Ø Cable min/max [mm] | Model | Code | Pcs /pack |
|---------|------------|-------------------------|---------|------------|--------------|
| | | | | | |
| SPL 0G | 1731053000 | "blind" | SPL 0B | 1731053001 | 10 |
| SPL 13G | 1731053005 | 11,5-16 | SPL 13B | 1731053025 | |
| SPL 17G | 1731053010 | 16-20 | SPL 17B | 1731053030 | |
| SPL 21G | 1731053013 | 20-24 | SPL 21B | 1731053033 | |
| SPL 25G | 1731053015 | 24-28 | SPL 25B | 1731053035 | |
| SPL 29G | 1731053020 | 28-31 | SPL 29B | 1731053040 | |

The SPL cable grommets are openable grommets which can be used into the DES 24, 16, 10, Q CLICK frames for cables with diameters from 11,5 to 31 mm.

Technical data

Material: TPE

Flammability: self-extinguishing acc. to UL94-V0 (grey or black)

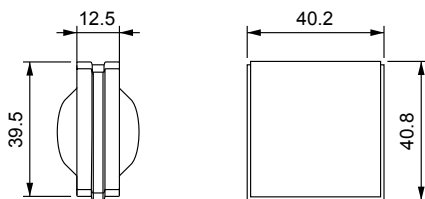
Temperature: -40°C... +110°C (static)

Features: halogens and silicones free

Related products

- DES 24 CLICK
- DES 16 CLICK
- DES 10 CLICK
- DES Q CLICK

Dimensions [mm]



IP54

NEMA 12



ECOLAB

UL94-V0



RoHS COMPLIANT



Large multiple grommets for cables without connectors - double membrane

- ▶ Multiple grommets for high number of cables without connectors
- ▶ Grey and black colours available
- ▶ UL94-V0 for both colors
- ▶ Strain relief according to EN 62444

NEW



Double parallel membrane

| Model | Code | Cable nr. - Ø Cable min/max [mm] | Model | Code | Pcs /pack |
|----------|------------|-------------------------------------|----------|------------|--------------|
| | | | | | |
| SPL M4G | 1731053050 | 4 x 11/15 | SPL M4B | 1731053060 | 10 |
| SPL M8G | 1731053055 | 8 x 6/10 | SPL M8B | 1731053065 | |
| SPL M13G | 1731053058 | 13 x 4,5/6,5 | SPL M13B | 1731053068 | |

The SPL M rubber grommets allow many non-terminated cables to be routed through the DES "xx" Click family frames, taking up little space compared to the conventional cable glands.

After having slightly perforated the front membrane, the cable of the required dimensions is pushed through the wall where the second membrane allows a perfect mechanical and fluidic seal.

Technical data

Material: PA66

Flammability: self-extinguishing acc. to UL94-V0

Temperature: -40°C... +120°C (static)

Features: halogens and silicones free

Related products

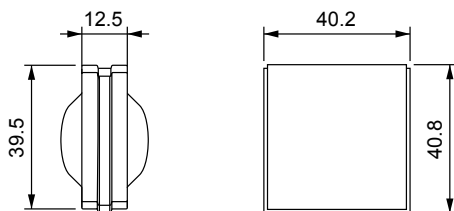
DES 24 CLICK

DES 16 CLICK

DES 10 CLICK

DES Q CLICK

Dimensions [mm]



IP54

NEMA 12



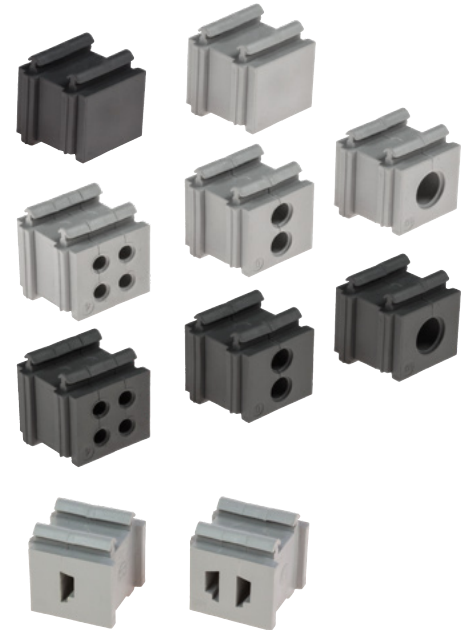
ECOLAB





DES grommets - small: single, double and quadruple

- ▶ Grommets for cables from 2 to 17 mm diameter
- ▶ "Blind" version available
- ▶ Grey and black colours available
- ▶ UL94-V0 for both colours
- ▶ ATEX version on request (see sec. 7)



The SPP grommets enable several cables from 2 to 17 mm diameter to be installed in the DES splittable frame.

The 2X and 4X* versions allow multiple cables in the same grommet.

Technical data

Material: TPE

Flammability: self-extinguishing acc. to UL94-V0 (grey or black)

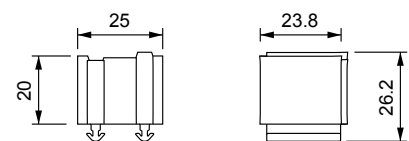
Temperature: -40°C... +110°C (static)

Features: halogens and silicones free

Related products

| | | |
|--------|----------|----------|
| DES 24 | DESPRED | DES 16M |
| DES 16 | DESLICK | DES 16MX |
| DES 10 | DES 24M | |
| DES Q | DES 24MX | |

Dimensions [mm]



* Indoor only

| Model | Code | Ø Cable [mm] | Model | Code | Pcs /pack |
|------------|------------|--------------|----------|------------|-----------|
| | | ■ | | | |
| SPP 0G | 1731020100 | "blind" | SPP 0B | 1731020200 | 10 |
| SPP 2G | 1731020102 | 2-3 | SPP 2B | 1731020202 | |
| SPP 3G | 1731020103 | 3-4 | SPP 3B | 1731020203 | |
| SPP 4G | 1731020104 | 4-5 | SPP 4B | 1731020204 | |
| SPP 5G | 1731020105 | 5-6 | SPP 5B | 1731020205 | |
| SPP 6G | 1731020106 | 6-7 | SPP 6B | 1731020206 | |
| SPP 7G | 1731020107 | 7-8 | SPP 7B | 1731020207 | |
| SPP 8G | 1731020108 | 8-9 | SPP 8B | 1731020208 | |
| SPP 9G | 1731020109 | 9-10 | SPP 9B | 1731020209 | |
| SPP 10G | 1731020110 | 10-11 | SPP 10B | 1731020210 | |
| SPP 11G | 1731020111 | 11-12 | SPP 11B | 1731020211 | |
| SPP 12G | 1731020112 | 12-13 | SPP 12B | 1731020212 | |
| SPP 13G | 1731020113 | 13-14 | SPP 13B | 1731020213 | |
| SPP 14G | 1731020114 | 14-15 | SPP 14B | 1731020214 | |
| SPP 15G | 1731020115 | 15-16 | SPP 15B | 1731020215 | |
| SPP 16G | 1731020116 | 16-17 | SPP 16B | 1731020216 | |
| | | ■ ■ | | | |
| SPP 2x2G | 1731020304 | 2 x 2 | SPP 2x2B | 1731020404 | 10 |
| SPP 2x3G | 1731020306 | 2 x 3 | SPP 2x3B | 1731020406 | |
| SPP 2x4G | 1731020308 | 2 x 4 | SPP 2x4B | 1731020408 | |
| SPP 2x5G | 1731020310 | 2 x 5 | SPP 2x5B | 1731020410 | |
| SPP 2x6G | 1731020312 | 2 x 6 | SPP 2x6B | 1731020412 | |
| SPP 2x7G | 1731020314 | 2 x 7 | SPP 2x7B | 1731020414 | |
| SPP 2x8G | 1731020316 | 2 x 8 | SPP 2x8B | 1731020416 | |
| | | ■ ■ ■ | | | |
| SPP 4x2G | 1731020318 | 4 x 2 | SPP 4x2B | 1731020418 | 10 |
| SPP 4x3G | 1731020320 | 4 x 3 | SPP 4x3B | 1731020420 | |
| SPP 4x4G | 1731020322 | 4 x 4 | SPP 4x4B | 1731020422 | |
| SPP 4x5G | 1731020324 | 4 x 5 | SPP 4x5B | 1731020424 | |
| SPP 4x6G | 1731020326 | 4 x 6 | SPP 4x6B | 1731020426 | |
| | | ■ | | | |
| SPP ASI G | 1731021130 | 1 x ASI | - | - | 10 |
| SPP ASI2 G | 1731021140 | 2 x ASI | - | - | |



IP66

NEMA 12, 4X

UL TYPE 12, 4X



ECOLAB



RoHS COMPLIANT





DES grommets with extended range - for cables without connectors

NEW

- ▶ Diameters from 2,5 to 16,5 mm
- ▶ "Blind" pierceable grommets
- ▶ Grey and black colours available
- ▶ UL94-V0 for both colours
- ▶ ATEX version on request (see sec. 7)



| Model | Code | Ø Cable min/max [mm] | Model | Code | Pcs /pack |
|---------|------------|----------------------|---------|------------|-----------|
| | | | | | |
| SPP K0G | 1731021100 | "blind" | SPP K0B | 1731023100 | 10 |
| SPP K1G | 1731021110 | 2,5/7 | SPP K1B | 1731023110 | |
| SPP K2G | 1731021115 | 4,5/10 | SPP K2B | 1731023115 | |
| SPP K3G | 1731021120 | 7,5/12,5 | SPP K3B | 1731023120 | |
| SPP K4G | 1731021125 | 9/14 | SPP K4B | 1731023125 | |
| SPP K5G | 1731021127 | 12/16,5 | SPP K5B | 1731023127 | |

The SPP K grommets have a dual function: they can be used as "blind" grommets for future application of single cable without connector or they can be use as single grommet for one cable without connector. The cable size can be chosen between 4 solutions from 2,5 a 16,5 mm diameter.

The double membrane ensures the best water and dust protection.

Technical data

Material: TPE

Flammability: self-extinguishing acc. to UL94-V0 (grey or black)

Temperature: -40°C... +110°C (static)

Features: halogens and silicones free

Related products

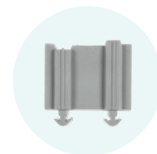
- | | | |
|--------|-----------|----------|
| DES 24 | DESPRED | DES 16M |
| DES 16 | DESCCLICK | DES 16MX |
| DES 10 | DES 24M | |
| DES Q | DES 24MX | |

NEW

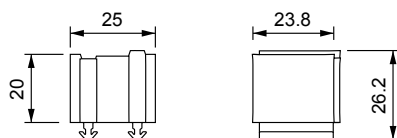
1



Double parallel membrane



Dimensions[mm]



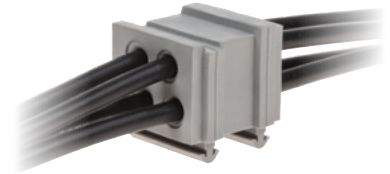


SPP M



DES grommets with extended range - for cables without connectors

- ▶ Cable diameter max. 7 mm
- ▶ "Blind" pierceable grommets
- ▶ Grey and black colours available
- ▶ UL94-V0 for both colours
- ▶ ATEX version on request (see sec. 7)



| Model | Code | Ø Cable - Ø cables [mm] | Model | Code | Pcs /pack |
|-----------------|-------------------|----------------------------------|-----------------|-------------------|--------------|
| | | | | | |
| SPP M4G | 1731020504 | 4 – max. 6 | SPP M4B | 1731020604 | 10 |
| SPP M4bG | 1731020505 | 2 – max. 3 2 – max. 7 | SPP M4bB | 1731020605 | |

The SPP M grommets have a dual function: they can be used as "blind" grommets for future application of multiple cables without connector or they can be used in the DES splittable frame as multi grommets for non terminated cables.

The double membrane ensures the highest water and dust protection.

Technical data

Material: TPE

Flammability: self-extinguishing acc. to UL94-V0 (grey or black)

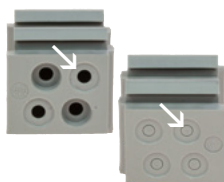
Temperature: -40°C... +110°C (static)

Features: halogens and silicones free

Related products

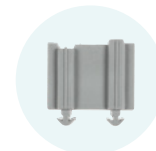
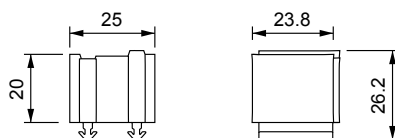
| | | |
|--------|----------|----------|
| DES 24 | DESPRED | DES 16M |
| DES 16 | DECLICK | DES 16MX |
| DES 10 | DES 24M | |
| DES Q | DES 24MX | |

1



Double parallel membrane

Dimensions [mm]



IP66

NEMA 12, 4X

UL TYPE 12, 4X



ECOLAB



RoHS COMPLIANT





Small grommets with threaded inserts

- ▶ Cable grommet with female thread for pneumatic connection sleeve and other connectors
- ▶ Continuous thread for 1/4" and 1/8" models, only front on M8 / M12

NEW



Thanks to the integrated metric thread, the SPP F series can be used as terminals for sensors, pneumatics, etc.

Technical data

Material: TPE, brass insert


Flammability: self-extinguishing acc. to UL94-V0

Temperature: -40°C... +110°C (static)

Features: halogens and silicones free

Related products

| | | |
|--------|-----------|----------|
| DES 24 | DESPRED | DES 16M |
| DES 16 | DESCCLICK | DES 16MX |
| DES 10 | DES 24M | |
| DES Q | DES 24MX | |

| Model | Code | Thread | Pcs /pack |
|---|------------|-----------|-----------|
|  | | | |
| SPP F8G | 1731020708 | M8 x 0,5 | 10 |
| SPP F12G | 1731020712 | M12 x 1 | |
| SPP F16G | 1731020716 | M16 x 1,5 | |
| SPP F1/4G | 1731020725 | 1/8" | |
| SPP F1/8G | 1731020728 | 1/4" | |


NEW

SPP VENT

Small grommet with pressure compensation valve

- ▶ Quick assembly
- ▶ M12 thread



| Model | Code | Thread | Pcs /pack |
|---|------------|--------|-----------|
|  | | | |
| SPP VENT G | 1731020720 | M12 | 10 |

SPP VENT is a pressure-compensating rubber seal, recommended for environments requiring uniform pressure.

The depressurising grommet is inserted into DES partitioned frames and thanks to its valve, compensates for the pressure of the environment and thus avoids temperature differences and consequent condensation. The ventilation element has an M12x1.5 thread and can be removed to use threaded connectors and sensors.

Technical data

Material: TPE, valve in PP, brass insert

Flammability: self-extinguishing acc. to UL94-V0

Temperature: -40°C... +110°C (static)

Features: halogens and silicones free

Related products

| | | |
|---------|-----------|--------|
| DES 24 | DES 16 | DES 10 |
| DES Q | DES L | |
| DESPRED | DESCCLICK | |

1



DES grommets - large

- ▶ Grommets for cables with and without connectors or for corrugated pipes from 17 to 35 mm diameter
- ▶ 2 "blind" versions available
- ▶ UL94-V0 for both grey and black
- ▶ ATEX version on request (see sec. 7)



| Model | Code | Ø Cable [mm] | Model | Code | Pcs /pack |
|---------|------------|--------------|---------|------------|-----------|
| | | | | | |
| SPG 0G | 1731022000 | "blind" | SPG 0B | 1731022020 | |
| SPG 17G | 1731022117 | 17-18 | SPG 17B | 1731022217 | |
| SPG 18G | 1731022118 | 18-19 | SPG 18B | 1731022218 | |
| SPG 19G | 1731022119 | 19-20 | SPG 19B | 1731022219 | |
| SPG 20G | 1731022120 | 20-21 | SPG 20B | 1731022220 | |
| SPG 21G | 1731022121 | 21-22 | SPG 21B | 1731022221 | |
| SPG 22G | 1731022122 | 22-23 | SPG 22B | 1731022222 | |
| SPG 23G | 1731022123 | 23-24 | SPG 23B | 1731022223 | |
| SPG 24G | 1731022124 | 24-25 | SPG 24B | 1731022224 | |
| SPG 25G | 1731022125 | 25-26 | SPG 25B | 1731022225 | 10 |
| SPG 26G | 1731022126 | 26-27 | SPG 26B | 1731022226 | |
| SPG 27G | 1731022127 | 27-28 | SPG 27B | 1731022227 | |
| SPG 28G | 1731022128 | 28-29 | SPG 28B | 1731022228 | |
| SPG 29G | 1731022129 | 29-30 | SPG 29B | 1731022229 | |
| SPG 30G | 1731022130 | 30-31 | SPG 30B | 1731022230 | |
| SPG 31G | 1731022131 | 31-32 | SPG 31B | 1731022231 | |
| SPG 32G | 1731022132 | 32-33 | SPG32B | 1731022232 | |
| SPG 33G | 1731022133 | 33-34 | SPG33B | 1731022233 | |
| SPG 34G | 1731022134 | 34-35 | SPG34B | 1731022234 | |

The SPG grommets are designed for cables with or without connectors or for corrugated pipes with diameter from 17 to 35 mm.

Technical data

Material: TPE

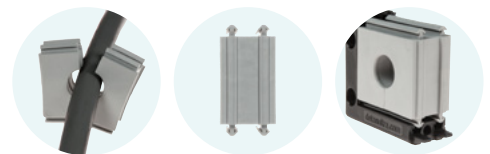
Flammability: self-extinguishing acc. to UL94-V0 (grey or black)

Temperature: -40°C... +110°C (static)

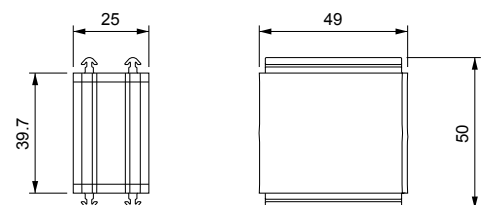
Features: halogens and silicones free

Related products

| | | |
|--------|----------|----------|
| DES 24 | DESPRED | DES 16M |
| DES 16 | DESCLICK | DES 16MX |
| DES 10 | DES 24M | |
| DES Q | DES 24MX | |



Dimensions [mm]





DES grommets - large - for cables without connectors - double membrane

- ▶ K1, K2 e K3 for cables without connectors with diameters from 16 to 30 mm
- ▶ K0 blind grommet
- ▶ IP66 for SPG K1, K2 and K3
- ▶ ATEX version on request (see sec. 7)

NEW



| Model | Code | Ø Cable [mm] | Model | Code | Pcs /pack |
|---------|------------|--------------|---------|------------|-----------|
| | | | | | |
| SPG K0G | 1731022300 | max. 32 | SPG K0B | 1731022400 | 10 |
| SPG K1G | 1731022310 | 16 - 22 | SPG K1B | 1731022410 | |
| SPG K2G | 1731022320 | 23 - 26 | SPG K2B | 1731022420 | |
| SPG K3G | 1731022330 | 26 - 30 | SPG K3B | 1731022430 | |

The SPG K are blind grommets which can be also used for cables without connectors with diameter from 16 to 30mm.

The SPG K0 can be perforated but the IP protection is not guaranteed.

Thanks to the double membrane in the SPG K1-K2-K3 grommets an optimal dust and water protection are achieved.

Technical data

Material: TPE

Flammability: self-extinguishing acc. to UL94-V0 (grey or black)

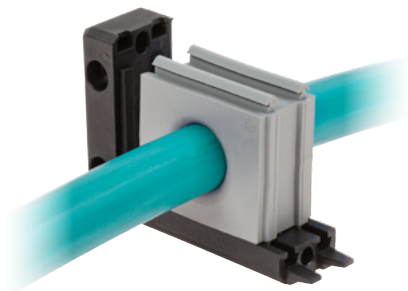
Temperature: -40°C... +110°C (static)

Features: halogens and silicones free

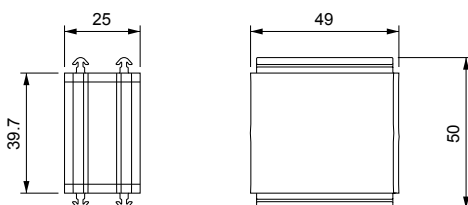
Related products

| | | |
|--------|----------|----------|
| DES 24 | DESPRED | DES 16M |
| DES 16 | DESCLICK | DES 16MX |
| DES 10 | DES 24M | |
| DES Q | DES 24MX | |

NEW



Dimensions [mm]

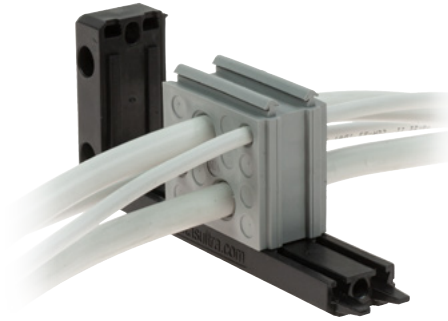
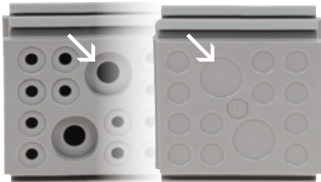




DES grommets - large - for cables without connectors - double membrane

- ▶ Multiple grommets for high number of cables without connectors
- ▶ Grey and black colours available
- ▶ UL94-V0 for both colours
- ▶ Strain relief according to EN 62444
- ▶ ATEX version on request (see sec. 7)

Double parallel membrane



| Model | Code | Cable nr. - Ø cable [mm] | Pcs /pack |
|----------|------------|------------------------------|--------------|
| SPG M7G | 1731022307 | 4 - max. 13,5 2 - max. 5 | 10 |
| SPG M7B | 1731022407 | 1 - max. 9,5 | |
| SPG M9G | 1731022309 | 9 - max. 8,8 | |
| SPG M9B | 1731022409 | | |
| SPG M14G | 1731022314 | 12 - max. 6,5 2 - max. 12 | |
| SPG M14B | 1731022414 | | |
| SPG M15G | 1731022315 | 15 - max. 7 | |
| SPG M15B | 1731022415 | | |

The SPG M grommets enable high number of cables without connectors to be routed into the DES splittable frames.

The cable is pushed through the front membrane, whilst the second membrane increases the strain relief and liquid resistance.

Technical data

Material: TPE

Flammability: self-extinguishing acc. to UL94-V0 (grey or black)

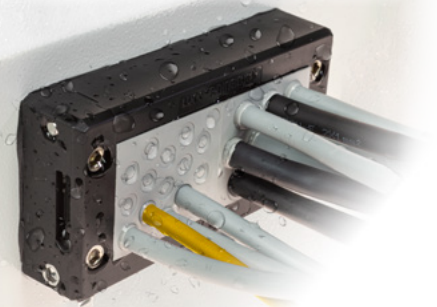
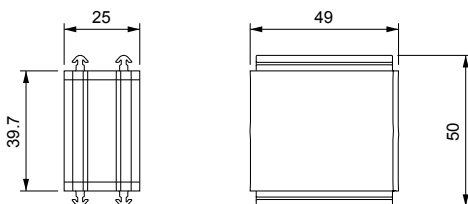
Temperature: -40°C... +110°C (static)

Features: halogens and silicones free

Related products

| | | |
|--------|----------|----------|
| DES 24 | DESPRED | DES 16M |
| DES 16 | DESCLICK | DES 16MX |
| DES 10 | DES 24M | |
| DES Q | DES 24MX | |

Dimensions [mm]



IP66

NEMA 12, 4X

UL TYPE 12, 4X



ECOLAB



ROHS COMPLIANT





Large grommets for connectors assembly for drives and service sockets

- ▶ Large grommets for panel sockets D22, flange M23, square openable flange, feedthrough, fast connection for pneumatic, etc.
- ▶ Useful for quick connections without opening the electrical panel
- ▶ Custom solutions welcome

NEW



| Model | Code | Application | Pcs /pack |
|--------------------|------------|--|-----------|
| SPG WFP23 | 1731020830 | For M23 flanges | 1 |
| SPG WFQ20 | 1731020815 | For square openable flange 38 mm , hole ø 20 mm (M15 connectors) | |
| SPG WFQ27 | 1731020820 | For square openable flange 38 mm , hole ø 27 mm (M23 connectors) | |
| SPG WF12 | 1731020840 | With metric thread M12 | |
| SPG WF25 | 1731020850 | With metric thread M25 | |
| SPG W22 USB 2.0 | 1731020900 | With USB 2.0 (f/f) and IP65 cap | |
| SPG W22 USB 3.0 | 1731020905 | With USB 3.0 (f/f) and IP65 cap | |
| SPG W22 USB-B | 1731020910 | With USB-B (f/f) and IP65 cap | |
| SPG W22 USB-C | 1731020915 | With USB-C (f/f) and IP65 cap | |
| SPG W22 USB-Mini | 1731020920 | With USB-Mini (f/f) and IP65 cap | |
| SPG W22 USB-Micro | 1731020925 | With USB-Micro (f/f) and IP65 cap | |
| SPG W22 RJ45 Cat.6 | 1731020930 | With RJ45 Cat.6 (f/f) and IP65 cap | |
| SPG W22 HDMI | 1731020935 | With HDMI (f/f) and IP65 cap | |
| SPG W22 2xUSB 2.0 | 1731020940 | With 2 USB 2.0 (f/f) and IP65 cap5 | |
| SPG W22 | 1731020810 | For panel socket Ø 22 mm | |

The SPG W grommets allow the integration of panel sockets (Ø 22 mm sockets, M23 flanges, openable square flanges, feedthrough and quick inserts for pneumatics, etc ...) directly on the DES frames.

The advantage is the modularity of the system that allows quick connection and release of cables (data, power, pneumatics, etc.) without opening the machine panel.

This plug-in system facilitates the design of increasingly modular machines.

Technical data

Material: TPE, insert PP+GF

Flammability: self-extinguishing acc. to UL94-V0

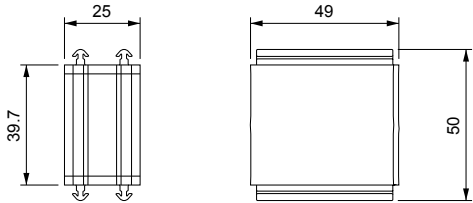
Temperature: -40°C... +120°C (static)

Features: halogens and silicones free

Related products

- DES 24 DESPRED DES 16M
- DES 16 DESCLICK DES 16MX
- DES 10 DES 24M DES 24MX15
- DES Q DES 24MX

Dimensions [mm]





SPG Y





Large/Small adapter grommet

- ▶ Large grommet which can be used as adapter for one small grommet
- ▶ Grey and black colos
- ▶ UL94-V0 for both colors

NEW



| Model | Code | Pcs pack |
|--|------------|----------|
|  SPG YG | 1731022030 | 10 |
|  SPG YB | 1731022035 | |

The SPG Y is a large grommet which can be used to adapt small grommets, single, multi-hole or special.

They are used in divisible cable glands of the Despred 63 or 50-90 families to improve the cable outlet or in the DES frames to reduce the number of blind grommets

Technical data

Material: TPE

Flammability: self-extinguishing acc. to UL94-V0

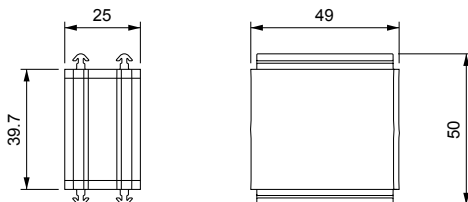
Temperature: -40°C... +120°C (static)

Features: halogens and silicones free

Related products

| | | |
|--------|---------------|------------|
| DES 24 | DESPRED 63 | DES 24MX |
| DES 16 | DESPRED 50-90 | DES 16M |
| DES 10 | DECLICK | DES 16MX |
| DES Q | DES 24M | DES 24MX15 |

Dimensions [mm]



IP54

NEMA 12

ECOLAB

UL94-V0

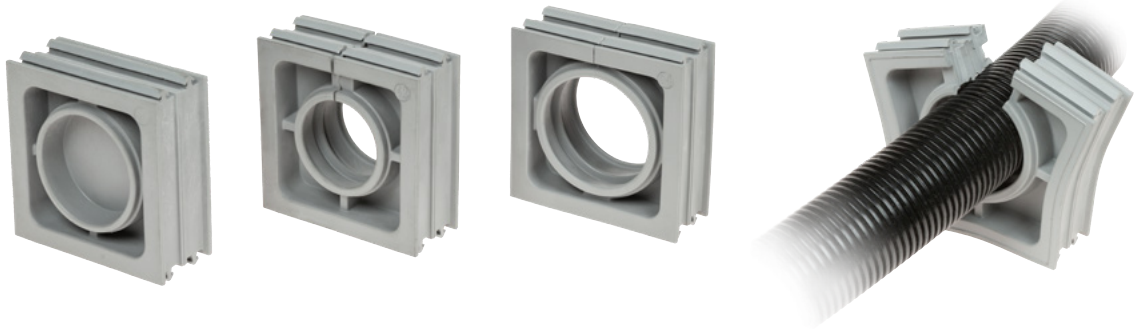
UV ISO 4892-2A


RoHS COMPLIANT



Grommets for DES 380 series

- ▶ Grommets for big diameter cables and corrugated pipes
- ▶ Cable diameters from 36 to 65 mm
- ▶ UL94-V0
- ▶ IP54



| Model | Code | Ø Cable [mm] | Pcs /pack |
|--|------------|--------------|-----------|
|  | | | |
| SPH 0G | 1731010278 | 0 | 1 |
| SPH 38G | 1731010281 | 36-39 | |
| SPH 42G | 1731010282 | 41-44 | |
| SPH 46G | 1731010283 | 43-48 | |
| SPH 50G | 1731010284 | 47-51 | |
| SPH 54G | 1731010285 | 52-56 | |
| SPH 58G | 1731010286 | 56-60 | |
| SPH 62G | 1731010287 | 60-65 | |

SPG grommets are used in DES380M and 380MX for cables or corrugated pipes from 36 to 65 mm diameter.

Technical data

Material: TPE

Flammability: self-extinguishing acc. to UL94-V0 (grey or black)

Temperature: -40°C... +110°C (static)

Features: halogens and silicones free

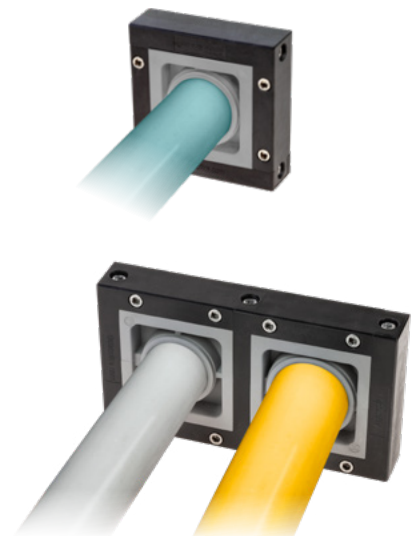
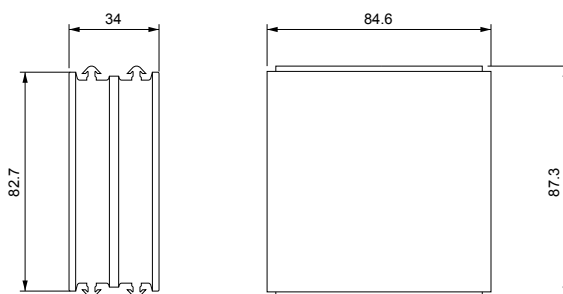
Related products

DES 380M

DES 380MX

1

Dimensions [mm]



IP54

NEMA 12



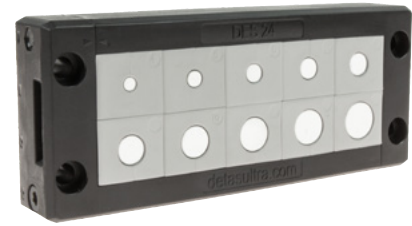
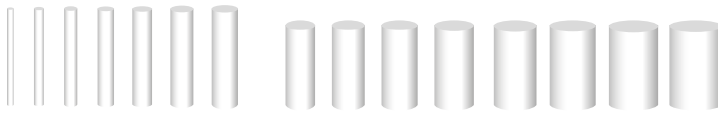
ECOLAB





Plugs for SPP and SPC series

► Plastic plugs for grommets, from 2 to 16 mm diameter



| Model | Code | Ø Diameter [mm] | Length [mm] | Pcs /pack |
|--------|------------|-----------------|-------------|-----------|
| ISP 2 | 1731040002 | 2 | 30 | 20 |
| ISP 3 | 1731040003 | 3 | | |
| ISP 4 | 1731040004 | 4 | | |
| ISP 5 | 1731040005 | 5 | | |
| ISP 6 | 1731040006 | 6 | | |
| ISP 7 | 1731040007 | 7 | | |
| ISP 8 | 1731040008 | 8 | | |
| ISP 9 | 1731040009 | 9 | | |
| ISP 10 | 1731040010 | 10 | | |
| ISP 11 | 1731040011 | 11 | | |
| ISP 12 | 1731040012 | 12 | | |
| ISP 13 | 1731040013 | 13 | | |
| ISP 14 | 1731040014 | 14 | | |
| ISP 15 | 1731040015 | 15 | | |
| ISP 16 | 1731040016 | 16 | | |

The ISP series grommets are designed to fit into SPP and SPC grommets with diameters from 2 to 16mm.

Technical data

Material: PA66

Flammability: self-extinguishing acc. to UL94-V0

Temperature: -40°C... +155°C (static)

Features: halogens and silicones free

Related products

SPC grommets (page 37)

SPP grommets (from page 40)

IP54



1



DES CAPS

Caps for splittable frames

NEW

- Caps with convex head
- Available with black color
- For DES splittable frames



The DES CAPS keeps the product clean from the front, preventing dirt from settling in the screw seats.

Technical data

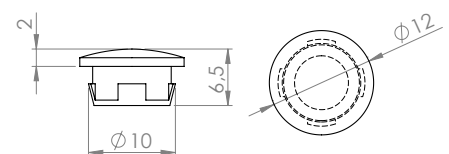
Material: HDPE

Related products

| | | |
|--------|--------|-------------|
| DES 10 | DES L2 | DES Q |
| DES 16 | DES L3 | DES 24 M/MX |
| DES 24 | DES L4 | DES 16 M/MX |
| DES FT | DES L5 | |

| Model | Code | Ø Hole [mm] | Dimensions [mm] | | | Pcs /pack |
|----------|------------|-------------|-----------------|----|-----|-----------|
| | | | A | B | C | |
| DES CAPS | 1732019983 | 9,5 | 12 | 10 | 6,5 | 50 |

Dimensions [mm]



Utility box SPCL



Box with SPC and SPL grommets

- ▶ SPC single hole
- ▶ SPC multiple
- ▶ SPL multirange
- ▶ Grey or black

NEW



| Model | Code | Dimensions [mm] | Grommets color | Pcs |
|------------------|------------|-----------------|----------------|-----|
| Utility box SPCL | 1736999862 | 370 x 300 x 90 | | 1 |
| Utility box SPCL | 1736999863 | | | |

| GREY GROMMETS BOX CONTENTS | | | | BLACK GROMMETS BOX CONTENTS | | | |
|----------------------------|--------|-----|--------|-----------------------------|--------|-----|--------|
| Pcs | Model | Pcs | Model | Pcs | Model | Pcs | Model |
| SPC GROMMETS | | | | | | | |
| | | | | | | | |
| 8 | 0G | 4 | 2x2G | 8 | 0B | 4 | 2x2B |
| 8 | 2G | 8 | 2x3G | 8 | 2B | 8 | 2x3B |
| 8 | 3G | 8 | 2x4G | 8 | 3B | 8 | 2x4B |
| 8 | 4G | 8 | 2x5G | 8 | 4B | 8 | 2x5B |
| 8 | 5G | 8 | 2x6G | 8 | 5B | 8 | 2x6B |
| 8 | 6G | 8 | 2x7G | 8 | 6B | 8 | 2x7B |
| 8 | 7G | | | 8 | 7B | | |
| 8 | 8G | | | 8 | 8B | | |
| 8 | 9G | 4 | 4x2G | 8 | 9B | 4 | 4x2B |
| 8 | 10G | 8 | 4x3G | 8 | 10B | 8 | 4x3B |
| 8 | 11G | 8 | 4x4G | 8 | 11B | 8 | 4x4B |
| 8 | 12G | 8 | 4x5G | 8 | 12B | 8 | 4x5B |
| 8 | 13G | 8 | 4x6G | 8 | 13B | 8 | 4x6B |
| 8 | 14G | | | 8 | 14B | | |
| SPL GROMMETS | | | | | | | |
| | | | | | | | |
| 4 | 0G | 4 | 21-24G | 4 | 0G | 4 | 21-24G |
| 4 | 13-16G | 2 | 25-28G | 4 | 13-16G | 2 | 25-28G |
| 4 | 17-20G | 2 | 29-32G | 4 | 17-20G | 2 | 29-32G |

The SPCL engineering box contains 212 pcs small SPC and SPL grommets, grey or black.

The full range of grommets is included.

Related products

DES XX CLICK

OSF

OSF 90

OSF ZIP

1



Utility box SPP

Box with SPP samples grommets

- ▶ Single hole
- ▶ Multiple
- ▶ Pierceable
- ▶ M & F
- ▶ Grey or black



| Model | Code | Dimensions [mm] | Grommets color | Pcs |
|-------------------|------------|-----------------|----------------|-----|
| Utility box SPP G | 1736999860 | 370 x 300 x 90 | ■ | 1 |
| Utility box SPP B | 1736999861 | | ■ | |

| GREY GROMMETS BOX CONTENTS | | | | BLACK GROMMETS BOX CONTENTS | | | |
|----------------------------|-------|-----|-------|-----------------------------|-------|-----|-------|
| Pcs | Model | Pcs | Model | Pcs | Model | Pcs | Model |
| | ● | | ●● | | ● | | ●● |
| 8 | 0G | 4 | 2x2G | 8 | 0B | 4 | 2x2B |
| 8 | K0G | 4 | 2x3G | 8 | K0B | 4 | 2x3B |
| 4 | 2G | 4 | 2x4G | 4 | 2B | 4 | 2x4B |
| 4 | 3G | 4 | 2x5G | 4 | 3B | 4 | 2x5B |
| 4 | 4G | 4 | 2x6G | 4 | 4B | 4 | 2x6B |
| 8 | 5G | 4 | 2x7G | 8 | 5B | 4 | 2x7B |
| 8 | 6G | 4 | 2x8G | 8 | 6B | 4 | 2x8B |
| 8 | 7G | | ●●● | 8 | 7B | | ●●● |
| 8 | 8G | 4 | 4x2G | 8 | 8B | 4 | 4x2B |
| 8 | 9G | 4 | 4x3G | 8 | 9B | 4 | 4x3B |
| 8 | 10G | 4 | 4x4G | 8 | 10B | 4 | 4x4B |
| 4 | 11G | 4 | 4x5G | 4 | 11B | 4 | 4x5B |
| 4 | 12G | 4 | 4x6G | 4 | 12B | 4 | 4x6B |
| 4 | 13G | | ■ | 4 | 13B | | ■ |
| 4 | 14G | 4 | K1G | 4 | 14B | 4 | K1B |
| 4 | 15G | 4 | K2G | 4 | 15B | 4 | K2B |
| 4 | 16G | 4 | K3G | 4 | 16B | 4 | K3B |
| | | 4 | K4G | | | 4 | K4B |
| | | | ■ | | | | ■ |
| | | 4 | M4G | | | 4 | M4B |

This engineering box contains 168 pcs of small SPP grommets, grey or black.

The full range of grommets is included.

Related products

DES 24 DES 16 DES 10
 DES Q DES L
 DESPRED DESCLICK



Cable frame with brush

- ▶ Brush frame for cables with or without connectors
- ▶ Tidy and cost effective solution
- ▶ Available in three sizes (24, 16 and 10)



| Model | Code | Dimensions [mm] | | Max. cut-out [mm] | Pcs /pack |
|----------|------------|-----------------|-----|-------------------|-----------|
| | | L1 | L2 | | |
| DES Z 24 | 1731060024 | 146 | 130 | 112 x 39 | 10 |
| DES Z 16 | 1731060016 | 120 | 103 | 86 x 39 | |
| DES Z 10 | 1731060010 | 99 | 83 | 63 x 39 | |

The DES Z series is meant for the passage of cables with and without connectors, when there is no need for water tightness and strain relief.

Effective protection against dust and debris.

Technical data

Material: PC

Flammability: self-extinguishing acc. to UL94-V0

Temperature: -25°C... +80°C (static)

Features: halogens and silicones free

Related products

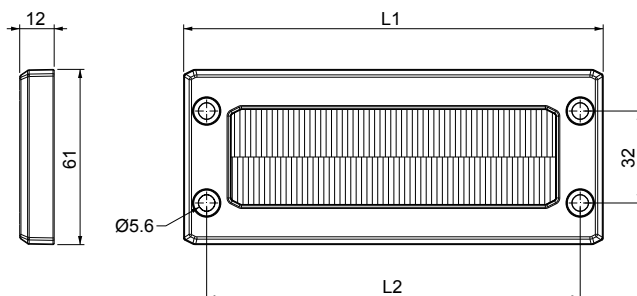
DES Cover

HY360 hydraulic punch driver

PF cable entry system plates

1

Dimensions [mm]





Splittable frame with double brush

- ▶ Brush frame for cables with or without connectors
- ▶ Double brush offering increased dust protection
- ▶ 8 different models (24, 16, 10, Q, L5, L4, L3 and L2)



| Model | Code | Dimensions [mm] | | Max. cut-out [mm] | Pcs /pack |
|-----------|------------|-----------------|-----|-------------------|-----------|
| | | L1 | L2 | | |
| DES ZZ 24 | 1731060224 | 146 | 130 | 112 x 39 | 1 |
| DES ZZ 16 | 1731060216 | 120 | 103 | 86 x 39 | |
| DES ZZ 10 | 1731060210 | 99 | 83 | 63 x 39 | |
| DES ZZ Q | 1731060208 | 74 | 58 | 40 x 39 | |
| DES ZZ L5 | 1731060205 | 146 | 130 | 108 x 18 | |
| DES ZZ L4 | 1731060204 | 120 | 103 | 86 x 18 | |
| DES ZZ L3 | 1731060203 | 99 | 83 | 63 x 18 | |
| DES ZZ L2 | 1731060202 | 74 | 58 | 40 x 18 | |

The DES ZZ is a splittable frame with 2 rows of brushes.

The DES ZZ series is meant for the passage of cables with and without connectors, when there is no need for water tightness and strain relief.

Effective protection against dust and debris thanks to the double brush.

Technical data

Material: PP+GF

Flammability: self-extinguishing acc. to UL94-V0

Temperature: -25°C... +80°C (static)

Features: halogens and silicones free

Related products

DES Flap

DES Cover

HY360 hydraulic punch driver

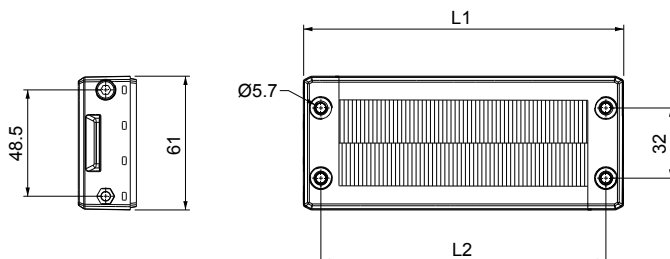
PF cable entry system plates

Upon request:

1731991020

Set of 4 mounting screws in AISI304 with Black Dacromet finishing

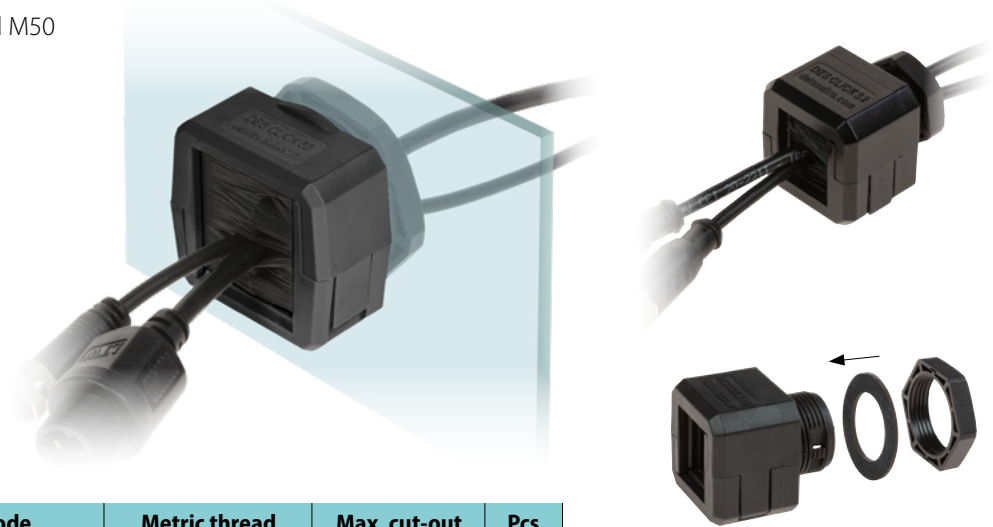
Dimensions [mm]





Divisible cable gland with single brush

- ▶ Without screws
- ▶ Metric threads M32 and M50
- ▶ Cost efficient solution
- ▶ Black version



| Model | Code | Metric thread | Max. cut-out Ø [mm] | Pcs /pack |
|----------------|------------|---------------|------------------------|--------------|
| DESCCLICK Z 32 | 1731060332 | M32 x 1,5 | 32,5 | 10 |
| DESCCLICK Z 50 | 1731060350 | M50 x 1,5 | 50,5 | |

DESCCLICK Z is a divisible frame with a single brush providing protection against dust and debris.

Technical data

Material: PC

Flammability: self-extinguishing acc. to UL94-V0

Temperature: -25°C... +80°C (static)

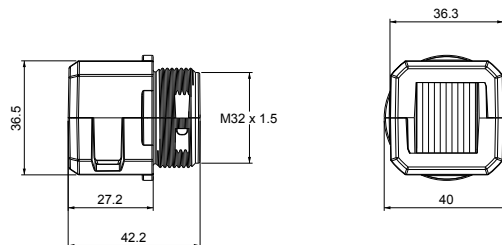
Features: halogens and silicones free

Related products

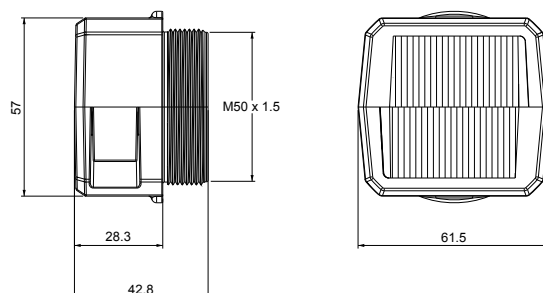
HY360 hydraulic punch driver
Divisible locknuts (page 35-36)

Dimensions [mm]

DESCCLICK Z 32



DESCCLICK Z 50





DESPRED ZZ



Splittable frame and locknut with double brush

- ▶ Double brush frame for cables with and without connectors
- ▶ Frame screws in AISI304 Stainless Steel with Black Dacromet finishing
- ▶ Metric threads M32 and M63
- ▶ Double frame offering increased dust protection



| Model | Code | Metric thread | Max. cut-out Ø [mm] | Pcs /pack |
|---------------|------------|---------------|------------------------|--------------|
| DESPRED ZZ 32 | 1731060232 | M32 x 1,5 | 32,5 | 1 |
| DESPRED ZZ 63 | 1731060263 | M63 x 1,5 | 63,5 | |

DESPRED ZZ consists of a square frame with two rows of brushes.

Excellent protection is offered against dust and debris thanks to the double brush.

Technical data

Material: PP+GF

Flammability: self-extinguishing acc. to UL94-V0

Temperature: -25°C... +80°C (static)

Features: halogens and silicones free

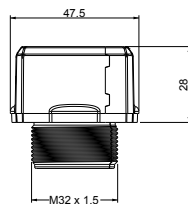
Related products

HY360 hydraulic punch driver

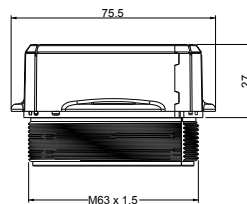
Divisible locknuts (page 35-36)

1

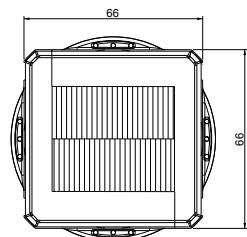
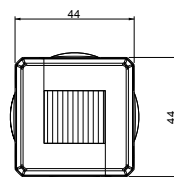
Dimensions [mm]



DESPRED ZZ 32



DESPRED ZZ 63



Group 2

Entry system for cables without connectors





DES PDM 24

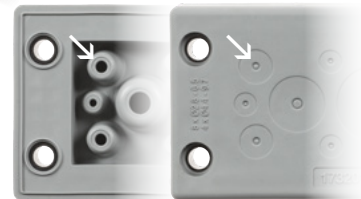


Cable entry plates with internal frame and double membrane

- ▶ For large number of cables without connectors
- ▶ High strain relief thanks to the double membrane
- ▶ Cost efficient solution
- ▶ IP66 and Nema 4X* certified
- ▶ ATEX version on request (see sec. 7)
- ▶ Threaded inserts or plastic rivets version on request



Double parallel membrane



| Model | Code | Cable nr. - Ø cable min/max [mm] | Dimensions [mm] | | Pcs /pack |
|-----------------|------------|---|-----------------|--------------|--------------|
| | | | Cut-out | Plate | |
| DES PDM 24/14G | 1732012414 | 10 - 2,8 / 6,5 4 - 14,5 / 22 | 112 x 36 | 148,6 x 59,6 | 10 |
| DES PDM 24/15G | 1732012415 | 15 - 6,8 / 12 | | | |
| DES PDM 24/16G | 1732012416 | 8 - 2,8 / 6,5 4 - 4,4 / 9,7 2 - 8,6 / 16,2 2 - 14,5 / 22 | | | |
| DES PDM 24/17G | 1732012417 | 6 - 2,8 / 6,5 6 - 4,6 / 10,2 5 - 8,6 / 16,2 | | | |
| DES PDM 24/25G | 1732012425 | 12 - 2,8 / 6,5 7 - 4,4 / 9,7 6 - 6,8 / 12 | | | |
| DES PDM 24/32G | 1732012432 | 21 - 2,8 / 6,5 8 - 4,6 / 10,2 3 - 6,8 / 12 | | | |
| DES PDM 24/42G | 1732012442 | 42 - 2,8 / 6,5 | | | |
| DES PDM 24/124G | 1732012421 | 120 - 1,75/4,7 4 - 2,3/6 | | | |

The DES PDM 24 is an innovative alternative to standard cable glands on electrical, electronic and telecommunication cabinets and equipment.

The cable is pushed through the front membrane, whilst the second membrane increases the strain relief and liquid resistance.

Technical data

Material: TPE

Flammability: self-extinguishing acc. to UL94-V0

Temperature: -40°C... +110°C (static)

Features: halogens and silicones free

Related products

HY360 hydraulic punch driver

IFP plugs

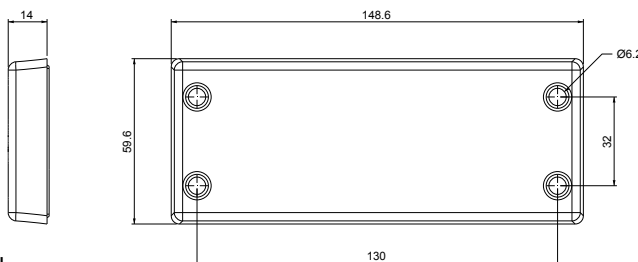
PF/PFX cable entry system plates

DES PDM caps

2

NEW

Dimensions [mm]



* Indoor only



IP66

NEMA 12, 4X

UL TYPE 12, 4X



ECOLAB



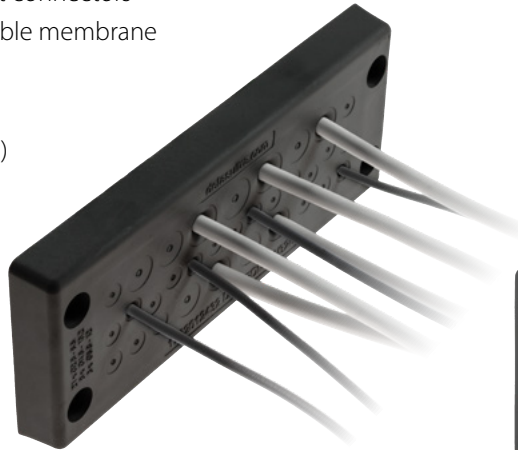
RoHS COMPLIANT





Cable entry plates with internal frame and double membrane

- ▶ For large number of cables without connectors
- ▶ High strain relief thanks to the double membrane
- ▶ Cost efficient solution
- ▶ IP66 and Nema 4X* certified
- ▶ ATEX version on request (see sec. 7)
- ▶ Threaded inserts or plastic rivets version on request



Double parallel membrane



| Model | Code | Cable nr. | Dimensions [mm] | | Pcs /pack |
|----------------|------------|---|------------------------|-----------------|-----------|
| | | | - Ø cable min/max [mm] | Cut-out / Plate | |
| DES PDM 24/14B | 1732013415 | 10 - 2,8 / 6,5 4 - 14,5 / 22 | 112 x 36 | 148,6 x 59,6 | 10 |
| DES PDM 24/15B | 1732013416 | 15 - 6,8 / 12 | | | |
| DES PDM 24/16B | 1732013417 | 8 - 2,8 / 6,5 4 - 4,4 / 9,7 2 - 8,6 / 16,2 2 - 14,5 / 22 | | | |
| DES PDM 24/17B | 1732013418 | 6 - 2,8 / 6,5 6 - 4,6 / 10,2 5 - 8,6 / 16,2 | | | |
| DES PDM 24/25B | 1732013426 | 12 - 2,8 / 6,5 7 - 4,4 / 9,7 6 - 6,8 / 12 | | | |
| DES PDM 24/32B | 1732013433 | 21 - 2,8 / 6,5 8 - 4,6 / 10,2 3 - 6,8 / 12 | | | |
| DES PDM 24/42B | 1732013443 | 42 - 2,8 / 6,5 | | | |

The DES PDM 24 is an innovative alternative to standard cable glands on electrical, electronic and telecommunication cabinets and equipment.

The cable is pushed through the front membrane, whilst the second membrane increases the strain relief and liquid resistance.

Technical data

Material: TPE

Flammability: self-extinguishing acc. to UL94-V0

Temperature: -40°C... +110°C (static)

Features: halogens and silicones free

Related products

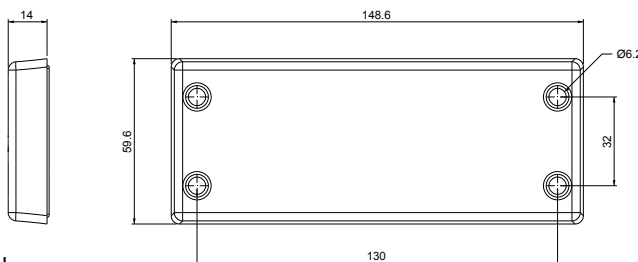
HY360 hydraulic punch driver

IFP plugs

PF/PFX cable entry system plates

DES PDM caps

Dimensions [mm]



* Indoor only



IP66

NEMA 12, 4X

UL TYPE 12, 4X



ECOLAB



ROHS COMPLIANT



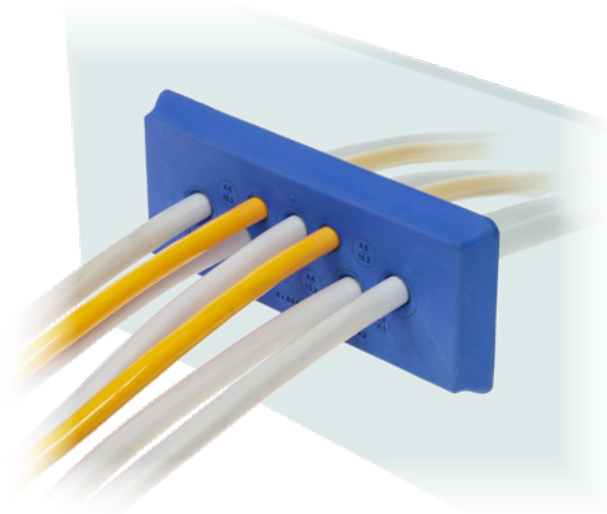


DES PDM 24 CLEAN

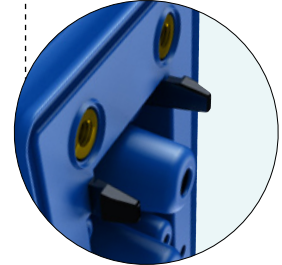


Cable entry plate for Food&Pharma applications

- ▶ For large number cables without connectors
- ▶ Internal reinforcing frame
- ▶ Rounded edges
- ▶ UL94-HB self extinguishing
- ▶ **Fixing with snap mounting or screws**
- ▶ IP66



Snap mounting and M4 threaded inserts



| Model | Code | Cable nr. - Ø cable min/max [mm] | Dimensions [mm] | | Pcs /pack |
|---------------------|------------|---|-----------------|----------|-----------|
| | | | Cut-out | Plate | |
| DES PDM 24/13 CLEAN | 1732025017 | 2 - 2,8 / 6,5 6 - 4,6 / 10,2 5 - 8,6 / 16,2 | 112 x 36 | 155 x 66 | 1 |

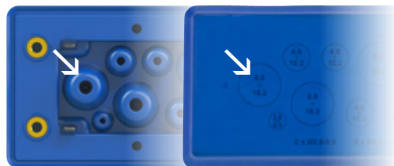
The DES PDM 24 CLEAN family is mainly used in the food&pharma production thanks to the rounded shape without edges which avoids dirt accumulation and allows frequent washing.

The cable entry plate can be fixed to the panel from the inside with four hidden screws or with snap fastening with four hooks.

The holes location is guided by a laser printing which guarantees the front clean area during the operation.

The first front membrane is lightly drilled with a small screwdriver, while the second parallel membrane acts as a reinforcement, ensuring a very high strain relief and water resistance.

Double parallel membrane



Technical data

Material: TPE

Flammability: self-extinguishing acc. to UL94-HB

Temperature: -40°C... +110°C (static)

Features: halogens and silicones free

Related products

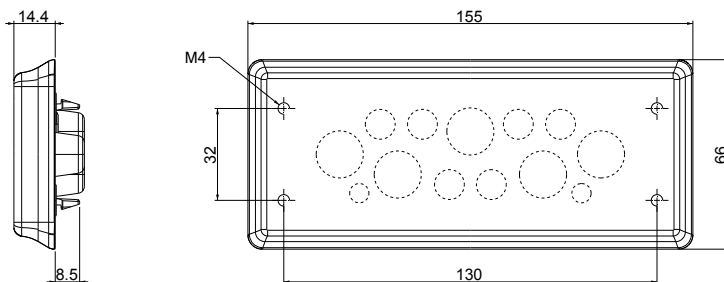
HY360 hydraulic punch driver

IFP plugs

FVM metal detachable cable ties

PF/PFX cable entry system plates

Dimensions [mm]





Cable entry plates with internal frame and threaded inserts

- ▶ Rear installation with M4 threaded inserts
- ▶ Frontal closing cap to avoid dirt
- ▶ For large number of cables without connectors
- ▶ High strain relief thanks to the double membrane
- ▶ Cost-effective solution
- ▶ IP66 and Nema 4X*



| Model | Code | Cable nr. | Dimensions [mm] | | Pcs /pack |
|--------------------|------------|---|------------------------|---------------|-----------|
| | | | - Ø cable min/max [mm] | Cut-out Plate | |
| DES PDM 24/14G FT | 1732212414 | 10 - 2,8 / 6,5 4 - 14,5 / 22 | 112 x 36 | 148,6 x 59,6 | 10 |
| DES PDM 24/15G FT | 1732212415 | 15 - 6,8 / 12 | | | |
| DES PDM 24/16G FT | 1732212416 | 8 - 2,8 / 6,5 4 - 4,4 / 9,7 2 - 8,6 / 16,2 2 - 14,5 / 22 | | | |
| DES PDM 24/17G FT | 1732212417 | 6 - 2,8 / 6,5 6 - 4,6 / 10,2 5 - 8,6 / 16,2 | | | |
| DES PDM 24/25G FT | 1732212425 | 12 - 2,8 / 6,5 7 - 4,4 / 9,7 6 - 6,8 / 12 | | | |
| DES PDM 24/32G FT | 1732212432 | 21 - 2,8 / 6,5 8 - 4,6 / 10,2 3 - 6,8 / 12 | | | |
| DES PDM 24/42G FT | 1732212442 | 42 - 2,8 / 6,5 | | | |
| DES PDM 24/124G FT | 1732213421 | 120 - 1.75/4.7 4 - 2.3/6 | | | |

The DES PDM 24 / FT is an innovative alternative to standard cable glands on electrical, electronic cabinets and equipment.

The cable is pushed through the front membrane, whilst the second membrane increases the strain relief and liquid resistance.

They are equipped with threaded inserts for M4 screws and with front closing caps, which allow assembly from the rear of the frame and keep the product clean from the front, preventing dirt from depositing in the screw seats.

Technical data

Material: TPE

Flammability: self-extinguishing acc. to UL94-V0

Temperature: -40°C... +110°C (static)

Features: halogens and silicones free

Related products

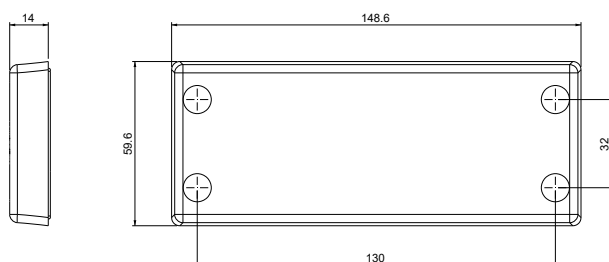
HY360 hydraulic punch driver

IFP plugs

PF/PFX cable entry system plate

DES PDM caps

Dimensions [mm]



* Indoor only

M4 threaded inserts





Cable entry plates with internal frame and double membrane

- ▶ For several number of cables in a limited space
- ▶ High strain relief thanks to the double membrane
- ▶ Cost efficient solution
- ▶ High IP grade (IP66)
- ▶ ATEX version on request (see sec. 7)
- ▶ Threaded inserts or plastic rivets version on request



Double parallel membrane



| Model | Code | Cable nr. - Ø cable min/max [mm] | Dimensions [mm] | | Pcs /pack |
|-------------------|------------|-------------------------------------|-----------------|--------|--------------|
| | | | Cut-out | Plate | |
| DES PDM S 112/7G | 1732021127 | 7 - 6,8 / 12 | 112x18 | 150x32 | 10 |
| DES PDM S 112/22G | 1732021122 | 22 - 3,2 / 6,5 | | | |
| DES PDM S 112/7B | 1732022127 | 7 - 6,8 / 12 | | | |
| DES PDM S 112/22B | 1732022122 | 22 - 3,2 / 6,5 | | | |

The DES PDM S is an innovative alternative to standard cable glands on electrical, electronic and telecommunication cabinets and equipment.

The cable is pushed through the front membrane, whilst the second membrane increases the strain relief and liquid resistance.

Technical data

Material: TPE

Flammability: self-extinguishing acc. to UL94-V0

Temperature: -40°C... +110°C (static)

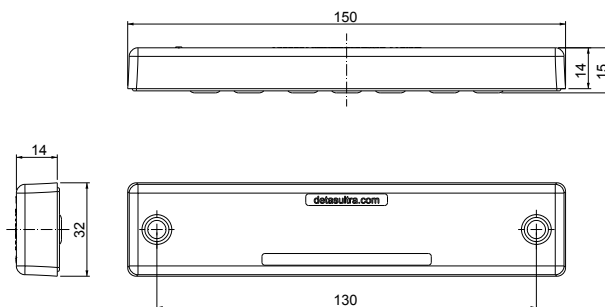
Features: halogens and silicones free

Related products

IFP plugs

DES PDM caps

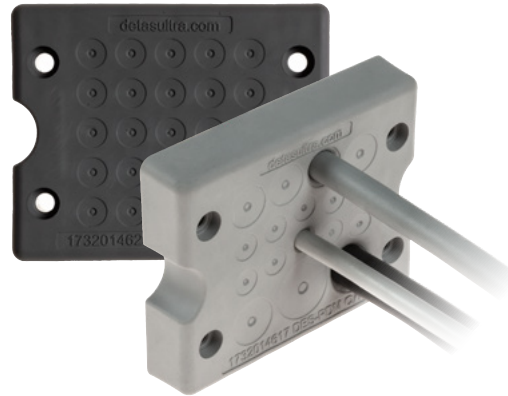
Dimensions [mm]



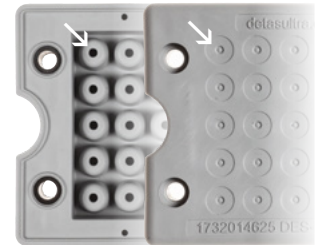


Cable entry plates with internal frame and double membrane

- ▶ For large number of cables without connectors
- ▶ High strain relief thanks to the double membrane
- ▶ Cost efficient solution
- ▶ IP66 and Nema 4X* certified
- ▶ ATEX version on request (see sec. 7)
- ▶ Threaded inserts or plastic rivets version on request



Double parallel membrane



| Model | Code | Cable nr. - Ø cable min/max [mm] | Dimensions [mm] | | Pcs /pack |
|---------------|------------|--|-----------------|-------|--------------|
| | | | Cut-out | Plate | |
| DES PDM Q 13G | 1732014613 | 8 - 2,8 / 6,5 4 - 4,6 / 10,2 1 - 14,5 / 22 | 46 x 46 | 74x60 | 10 |
| DES PDM Q 17G | 1732014617 | 10 - 2,8 / 6,5 4 - 4,6 / 10,2 2 - 6,8 / 12 1 - 8,6 / 16,2 | | | |
| DES PDM Q 25G | 1732014625 | 25 - 2,8 / 6,5 | | | |
| DES PDM Q 13B | 1732015614 | 8 - 2,8 / 6,5 4 - 4,6 / 10,2 1 - 14,5 / 22 | | | |
| DES PDM Q 17B | 1732015618 | 10 - 2,8 / 6,5 4 - 4,6 / 10,2 2 - 6,8 / 12 1 - 8,6 / 16,2 | | | |
| DES PDM Q 25B | 1732015626 | 25 - 2,8 / 6,5 | | | |

The DES PDM Q is an innovative alternative to standard cable glands on electrical, electronic and telecommunication cabinets and equipment.

The cable is pushed through the front membrane, whilst the second membrane increases the strain relief and liquid resistance.

Technical data

Material: TPE

Flammability: self-extinguishing acc. to UL94-V0

Temperature: -40°C... +110°C (static)

Features: halogens and silicones free

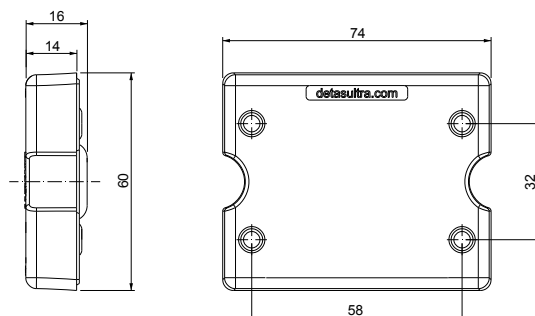
Related products

HY360 hydraulic punch driver

IFP plugs

DES PDM caps

Dimensions [mm]



* Indoor only

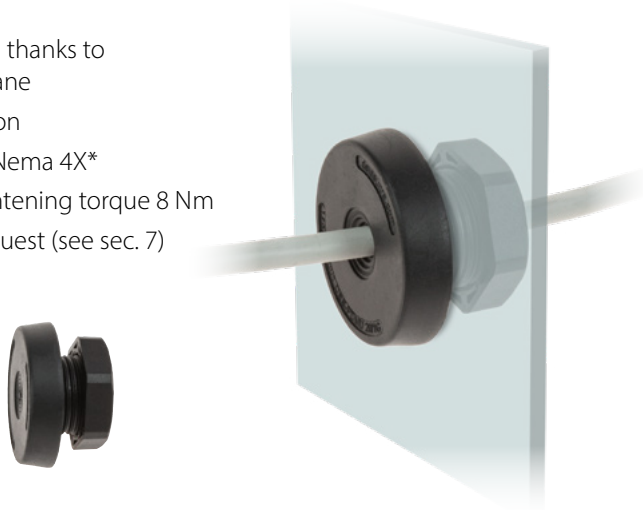


DES PDMU



Round cable entry plates for single cable - internal frame and double membrane

- ▶ Metric sized
- ▶ High retaining force thanks to the double membrane
- ▶ Cost efficient solution
- ▶ High IP grade IP66 Nema 4X*
- ▶ Recommended tightening torque 8 Nm
- ▶ ATEX version on request (see sec. 7)



Double parallel membrane



| Model | Code | Cable nr. - Ø cable [mm] | Dimensions [mm] | | | Pcs /pack |
|--------------|------------|-----------------------------|-----------------|-----------|---------|--------------|
| | | | Thread | Ø Cut-out | Ø Plate | |
| DES PDMU 20G | 1732030120 | 1 - max. 10,5 | M20 | 20,5 | 36 | 10 |
| DES PDMU 25G | 1732030125 | 1 - max. 16 | M25 | 25,5 | 40 | |
| DES PDMU 32G | 1732030132 | 1 - max. 22 | M32 | 32,5 | 46 | |
| DES PDMU 20B | 1732031120 | 1 - max. 10,5 | M20 | 20,5 | 36 | |
| DES PDMU 25B | 1732031125 | 1 - max. 16 | M25 | 25,5 | 40 | |
| DES PDMU 32B | 1732031132 | 1 - max. 22 | M32 | 32,5 | 46 | |

The cable entry plates series DES PDMU are used to save space and time as alternative to cable glands. They use the metric holes on cabinets or machinery and the nutlock guarantees a strong strain relief and highest water and dust protection.

The cable is pushed through the front membrane, whilst the second membrane increases the strain relief and liquid resistance.

Technical data

Material: TPE

Flammability: self-extinguishing acc. to UL94-V0

Temperature: -40°C... +110°C (static)

Features: halogens and silicones free

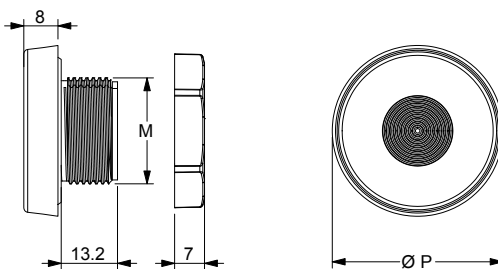
Related products

HY360 hydraulic punch driver

IFP plugs

2

Dimensions [mm]



* Indoor only



IP66

NEMA
12, 4X

UL TYPE
12, 4X



ECOLAB



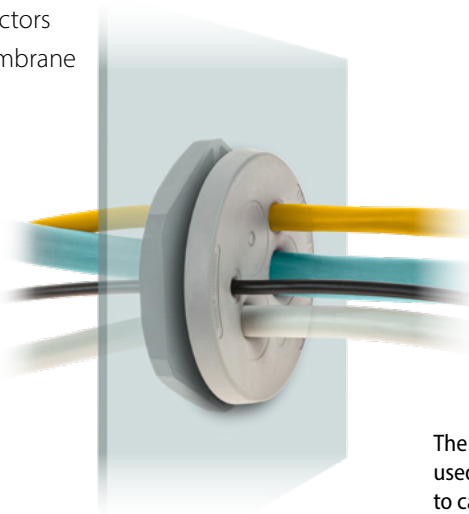
RoHS
COMPLIANT



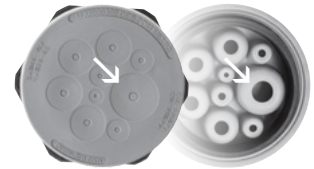


Round cable entry plates with internal frame and double membrane

- ▶ For large number of cables without connectors
- ▶ High strain relief thanks to the double membrane
- ▶ Cost efficient solution
- ▶ High IP grade IP66-68 Nema 4X*
- ▶ Recommended tightening torque 8 Nm
- ▶ ATEX version on request (see sec. 7)



Double parallel membrane



The cable entry plates series DES PDM M are used to save space and time as alternative to cable glands. They use the metric holes on cabinets or machinery and the nutlock guarantees a strong strain relief and highest water and dust protection.

The cable is pushed through the front membrane, whilst the second membrane increases the strain relief and liquid resistance.

Technical data

Material: TPE

Flammability: self-extinguishing acc. to UL94-V0

Temperature: -40°C... +110°C (static)

Features: halogens and silicones free

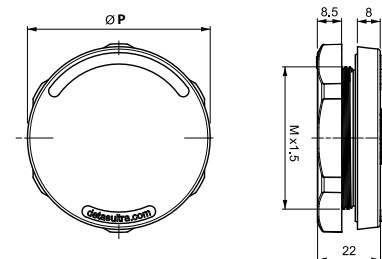
Related products

HY360 hydraulic punch driver

IFP plugs



Dimensions [mm]



| Model | Code | Cable nr. - Ø cable min/max [mm] | Thread x1.5 | Dimensions | | Pcs /pack |
|------------------|------------|--|----------------|------------|----|--------------|
| | | | | Ø P [mm] | | |
| DES PDM M32/4G | 1732033204 | 3 - 2,6 / 6,5 1 - 5,5 / 12,5 | M32 | 46 | 10 | |
| DES PDM M32/4-2G | 1732033242 | 4 - 3,5 / 8,8 | | | | |
| DES PDM M32/7G | 1732033207 | 7 - 2,6 / 6,5 | | | | |
| DES PDM M40/8G | 1732034008 | 4 - 2,6 / 6,5 4 - 4 / 10,2 | M40 | 54 | | |
| DES PDM M50/8G | 1732035008 | 5 - 4,6 / 10,2 3 - 6,8 / 12,5 | M50 | 64 | | |
| DES PDM M50/10G | 1732035010 | 7 - 2,8 / 6,5 2 - 4,6 / 10,2 1 - 14,5 / 22 | | | | |
| DES PDM M50/12G | 1732035012 | 4 - 2,8 / 6,5 8 - 4,6 / 10,2 | | | | |
| DES PDM M50/19G | 1732035019 | 19 - 2,8 / 6,5 | | | | |
| DES PDM M63/6G | 1732036306 | 3 - 4,6 / 10,2 3 - 10,9 / 20 | M63 | 77 | | |
| DES PDM M63/9G | 1732036309 | 1 - 2,6 / 6 3 - 4,6 / 10,2 4 - 8,6 / 16,2 1 - 10,9 / 20 | | | | |
| DES PDM M63/13G | 1732036313 | 4 - 2,8 / 6 4 - 4,6 / 10,2 5 - 9,5 / 16,2 | | | | |
| DES PDM M63/14G | 1732036314 | 14 - 5 / 10 | | | | |
| DES PDM M63/35G | 1732036335 | 35 - 2,6 / 5,5 | | | | |

* Indoor only

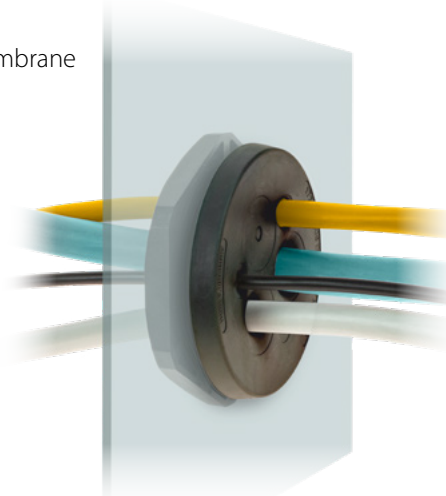


DES PDM M



Round cable entry plates with internal frame and double membrane

- ▶ Metric sized
- ▶ High strain relief thanks to the double membrane
- ▶ Cost efficient solution
- ▶ High IP grade IP66-68 Nema 4X*
- ▶ Recommended tightening torque 8 Nm
- ▶ ATEX version on request (see sec. 7)



Double parallel membrane



| Model | Code | Cable nr. | Thread | Dimensions | | Pcs /pack |
|------------------|------------|--|--------|------------------------|----------|-----------|
| | | | | - Ø cable min/max [mm] | Ø P [mm] | |
| DES PDM M32/4B | 1732034205 | 3 - 2,6 / 6,5 1 - 5,5 / 12,5 | x1.5 | | | 10 |
| DES PDM M32/4-2B | 1732034252 | 4 - 3,5 / 8,8 | M32 | 46 | | |
| DES PDM M32/7B | 1732034208 | 7 - 2,6 / 6,5 | | | | |
| DES PDM M40/8B | 1732035009 | 4 - 2,6 / 6,5 4 - 4 / 10,2 | M40 | 54 | | |
| DES PDM M50/8B | 1732036009 | 5 - 4,6 / 10,2 3 - 6,8 / 12,5 | | | | |
| DES PDM M50/10B | 1732036011 | 7 - 2,8 / 6,5 2 - 4,6 / 10,2 1 - 14,5 / 22 | M50 | 64 | | |
| DES PDM M50/12B | 1732036013 | 4 - 2,8 / 6,5 8 - 4,6 / 10,2 | | | | |
| DES PDM M50/19B | 1732036020 | 19 - 2,8 / 6,5 | | | | |
| DES PDM M63/6B | 1732037307 | 3 - 4,6 / 10,2 3 - 10,9 / 20 | | | | |
| DES PDM M63/9B | 1732037310 | 1 - 2,6 / 6 3 - 4,6 / 10,2 4 - 8,6 / 16,2 1 - 10,9 / 20 | M63 | 77 | | |
| DES PDM M63/13B | 1732037314 | 4 - 2,8 / 6 4 - 4,6 / 10,2 5 - 9,5 / 16,2 | | | | |
| DES PDM M63/14B | 1732037315 | 14 - 5 / 10 | | | | |
| DES PDM M63/35B | 1732037336 | 35 - 2,6 / 5,5 | | | | |

The cable entry plates series DES PDMU are used to save space and time as alternative to cable glands. They use the metric holes on cabinets or machinery and the nutlock guarantees a strong strain relief and highest water and dust protection.

The cable is pushed through the front membrane, whilst the second membrane increases the strain relief and liquid resistance.

Technical data

Material: TPE

Flammability: self-extinguishing acc. to UL94-V0

Temperature: -40°C... +110°C (static)

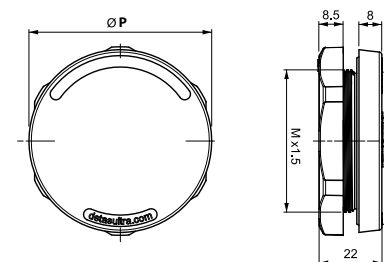
Features: halogens and silicones free

Related products

HY360 hydraulic punch driver

IFP plugs

Dimensions [mm]



* Indoor only



IP66
IP68

NEMA
12, 4X

UL TYPE
12, 4X



ECOLAB



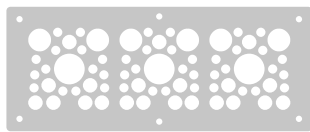
ROHS
COMPLIANT



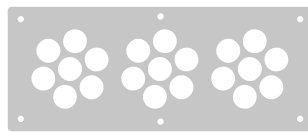


Cable entry plate - large frame and double membrane

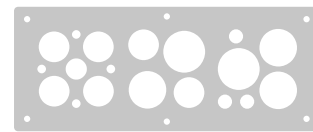
- ▶ For up to 72 cables without connectors
- ▶ High strain relief thanks to the double membrane
- ▶ Internal reinforcing frame
- ▶ Cost efficient solution
- ▶ High IP grade (IP66)
- ▶ ATEX version on request (see sec. 7)



KN/72



KN/21



KN/19

| Model | Code | Cable nr. - Ø cable min/max [mm] | Dimensions [mm] | | Pcs /pack |
|----------------|------------|--|-----------------|----------|--------------|
| | | | Cut-out | Plate | |
| DES PDM KN/72G | 1732040072 | 42 - 2,8 / 6,5 21 - 4,6 / 10,2 6 - 8,6 / 16,2 3 - 14,5 / 22 | | | |
| DES PDM KN/72B | 1732041073 | | | | |
| DES PDM KN/21G | 1732040021 | 21 - 9,5 / 17 | 192 x 62 | 221 x 90 | 1 |
| DES PDM KN/21B | 1732041021 | | | | |
| DES PDM KN/19G | 1732040019 | 4 - 3 / 6 3 - 5 / 10 1 - 9 / 15 6 - 14 / 22 3 - 19 / 27 2 - 22-30 | | | |
| DES PDM KN/19B | 1732041020 | | | | |

The DES PDM KN are multi cable entry plates suitable for cabinet side or bottom. According to cable size and quantities it is possible to find the right model.

The fixing holes are for Rittal cabinets.

The cable is pushed through the front membrane, whilst the second membrane increases the strain relief and liquid resistance.

Technical data

Material: TPE

Flammability: self-extinguishing acc. to UL94-V0

Temperature: -40°C... +110°C (static)

Features: halogens and silicones free

Related products

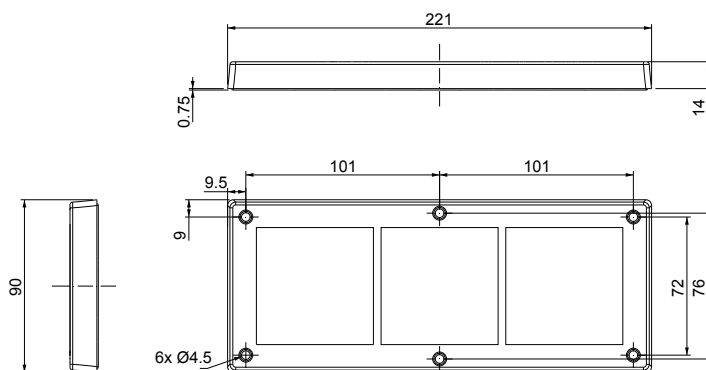
IFP plugs

DES PDM caps

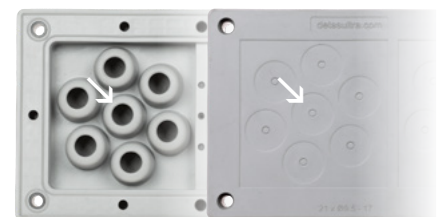
NEW

2

Dimensions [mm]



Double parallel membrane

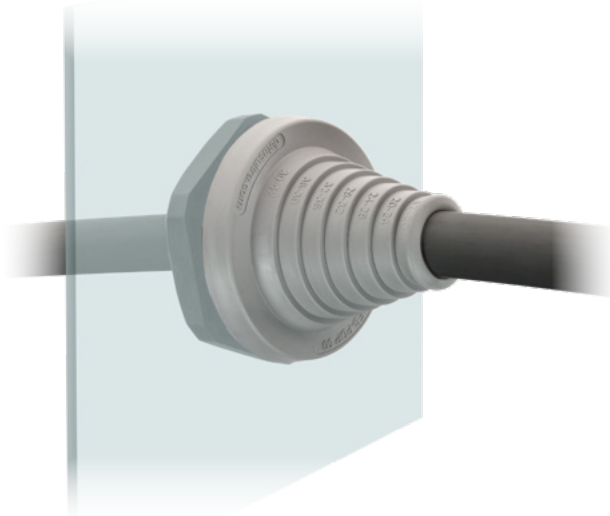




DES PDP

Round base, cone-shaped cable entry plate with locknut

- ▶ For diameters from 2,5 to 64 mm
- ▶ Reinforcing base plate
- ▶ Cost efficient solution
- ▶ UL94-V0 for grey and black
- ▶ ATEX version on request (see sec. 7)



| Model | Code | Cable nr. - Ø cable min/max [mm] | Thread x 1,5 | Dimensions [mm] | | | Pcs /pack |
|-------------|------------|-------------------------------------|-----------------|-----------------|-----|------|--------------|
| | | | | Cut-out | Ø P | H | |
| DES PDP 25G | 1732050025 | 1 - 2.5 / 17 | M25 | 25,5 | 39 | 46,5 | 10 |
| DES PDP 32G | 1732050032 | 1 - 5 / 23 | M32 | 32,5 | 46 | 55,2 | |
| DES PDP 40G | 1732050040 | 1 - 8 / 29 | M40 | 40,5 | 54 | 62 | |
| DES PDP 50G | 1732050050 | 1 - 17 / 42 | M50 | 50,5 | 64 | 50 | |
| DES PDP 63G | 1732050063 | 1 - 23 / 55 | M63 | 63,5 | 77 | 62 | |
| DES PDP 75G | 1732050075 | 1 - 38 / 64 | M75 | 75,5 | 89 | 64 | |
| Model | Code | Cable nr. - Ø cable min/max [mm] | Thread x 1,5 | Dimensions [mm] | | | Pcs /pack |
| Cut-out | Ø P | H | | | | | |
| DES PDP 25B | 1732052025 | 1 - 2.5 / 17 | M25 | 25,5 | 39 | 46,5 | 10 |
| DES PDP 32B | 1732052032 | 1 - 5 / 23 | M32 | 32,5 | 46 | 55,2 | |
| DES PDP 40B | 1732052040 | 1 - 8 / 29 | M40 | 40,5 | 54 | 62 | |
| DES PDP 50B | 1732052050 | 1 - 17 / 42 | M50 | 50,5 | 64 | 50 | |
| DES PDP 63B | 1732052063 | 1 - 23 / 55 | M63 | 63,5 | 77 | 62 | |
| DES PDP 75B | 1732052075 | 1 - 38 / 64 | M75 | 75,5 | 89 | 64 | |

The DES PDP is available in M25, M32, M40, M50, M63 and M75 sizes, enabling non-terminated cables with diameter from 2,5 to 64 mm to pass through the walls of the electrical cabinets.

The reinforcing base plate increases the stability when large cables are used.

Technical data

Material: TPE

Flammability: self-extinguishing acc. to UL94-V0

Temperature: -40°C... +110°C (static)

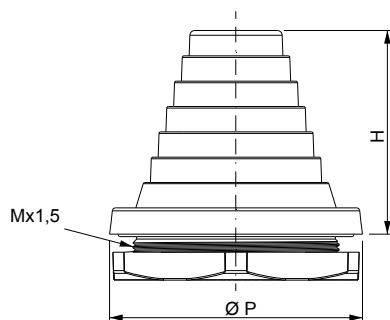
Features: halogens and silicones free

Related products

HY360 hydraulic punch driver



Dimensions [mm]



up to
IP66

NEMA 12

UL TYPE 12



ECOLAB



RoHS COMPLIANT



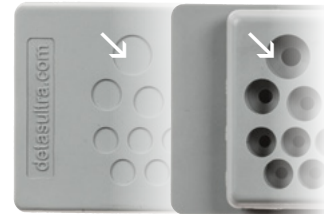


Cable entry plates with double membrane

- ▶ For large number of cables
- ▶ High retaining force thanks to the double membrane
- ▶ Cost efficient solution
- ▶ High IP grade (IP65)



Double parallel membrane



| Model | Code | Cable nr. - Ø cable [mm] | Dimensions [mm] | | Pcs /pack |
|---------------|------------|---|-----------------------|----------|--------------|
| | | | Cut-out | Plate | |
| DES PM 24/12G | 1732052412 | 12 - max. 15 | 112 x 36 max. +0.5 | 144 x 46 | 10 |
| DES PM 24/14G | 1732052414 | 14 - max. 12,1 | | | |
| DES PM 24/17G | 1732052417 | 5 - max. 10,5 12 - max. 12,6 | | | |
| DES PM 24/18G | 1732052418 | 4 - max. 6,5 5 - max. 10,5 5 - max. 12,6 4 - max. 16,1 | | | |
| DES PM 24/20G | 1732052420 | 13 - max. 6,5 7 - max. 12,1 | | | |
| DES PM 24/26G | 1732052426 | 16 - max. 6,5 4 - max. 12,1 4 - max. 16,1 2 - ASI | | | |
| DES PM 24/42G | 1732052442 | 1 - max. 4,7 12 - max. 5 17 - max. 6,4 12 - max. 7,2 | | | |
| DES PM 24/48G | 1732052448 | 48 - max. 6,5 | | | |
| DES PM 24/50G | 1732052450 | 33 - max. 5,3 9 - max. 6,4 8 - max. 8,3 | | | |

The DES PM 24 is an alternative to standard cable glands on electrical, electronic and telecommunication cabinets and equipment.

The cable is pushed through the front membrane, whilst the second membrane increases the strain relief and liquid resistance.

Technical data

Material: TPE

Flammability: self-extinguishing acc. to UL94-V0

Temperature: -40°C... +110°C (static)

Features: halogens and silicones free

Wall thickness: from 1,5 to 2,5 mm

Related products

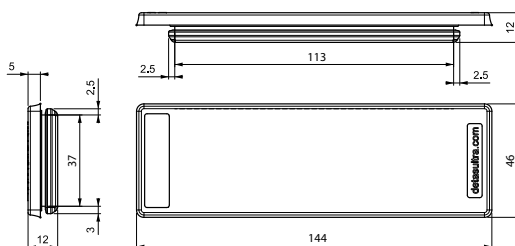
HY360 hydraulic punch driver

IFP plugs



2

Dimensions [mm]



IP65

NEMA 12

UL TYPE 12



ECOLAB

UL94-V0



ROHS COMPLIANT



DES PM 24

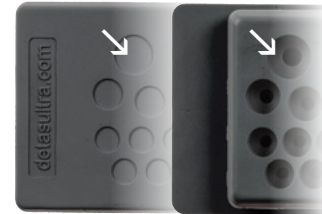


Cable entry plates with double membrane

- ▶ For large number of cables
- ▶ High retaining force thanks to the double membrane
- ▶ Cost efficient solution
- ▶ High IP grade (IP65)



Double parallel membrane



| Model | Code | Cable nr. - Ø cable [mm] | Dimensions [mm] | | Pcs /pack |
|---------------|------------|---|-----------------------|----------|--------------|
| | | | Cut-out | Plate | |
| DES PM 24/12B | 1732053413 | 12 - max. 15 | 112 x 36 max. +0,5 | 144 x 46 | 10 |
| DES PM 24/14B | 1732053415 | 14 - max. 12,1 | | | |
| DES PM 24/17B | 1732053418 | 5 - max. 10,5 12 - max. 12,6 | | | |
| DES PM 24/18B | 1732053419 | 4 - max. 6,5 5 - max. 10,5 5 - max. 12,6 4 - max. 16,1 | | | |
| DES PM 24/20B | 1732053421 | 13 - max. 6,5 7 - max. 12,1 | | | |
| DES PM 24/26B | 1732053427 | 16 - max. 6,5 4 - max. 12,1 4 - max. 16,1 2 - ASI | | | |
| DES PM 24/42B | 1732053443 | 1 - max. 4,7 12 - max. 5 17 - max. 6,4 12 - max. 7,2 | | | |
| DES PM 24/48B | 1732053449 | 48 - max. 6,5 | | | |
| DES PM 24/50B | 1732053451 | 33 - max. 5,3 9 - max. 6,4 8 - max. 8,3 | | | |

The DES PM 24 is an alternative to standard cable glands on electrical, electronic and telecommunication cabinets and equipment.

The cable is pushed through the front membrane, whilst the second membrane increases the strain relief and liquid resistance.

Technical data

Material: TPE

Flammability: self-extinguishing acc. to UL94-V0

Temperature: -40°C... +110°C (static)

Features: halogens and silicones free

Wall thickness: from 1,5 to 2,5 mm

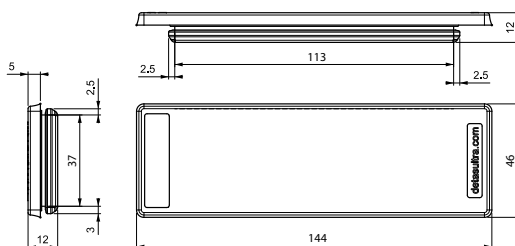
Related products

HY360 hydraulic punch driver

IFP plugs



Dimensions [mm]



IP65

NEMA 12

UL TYPE 12



ECOLAB

UL94-V0



RoHS COMPLIANT



Cable entry plates with double membrane

- ▶ For large number of cables
- ▶ High retaining force thanks to the double membrane
- ▶ Cost efficient solution
- ▶ High IP grade (IP65)



Double parallel membrane



| Model | Code | Cable nr. - Ø cable [mm] | Dimensions [mm] | | Pcs /pack |
|---------------------|------------|--|-----------------------|-------------|--------------|
| | | | Cut-out A1xA2 | Plate L1xL2 | |
| DES PM S 46/7G | 1732074607 | 2 - max. 6,5 5 - max. 8,3 | 46 x 18 max. +0,5 | 64 x 28 | 10 |
| DES PM S 46/9G | 1732074609 | 8 - max. 6,5 1 - max. 12,1 | | | |
| DES PM S 69/8G | 1732076908 | 8 - max. 7,5 | 69 x 10 max. +0,5 | 86 x 20 | |
| DES PM S 86/11G | 1732078611 | 2 - max. 6,5 9 - max. 8,35 | 85 x 18 max. +0,5 | 103 x 28 | |
| DES PM S 86/17G | 1732078617 | 16 - max. 6,5 1 - max. 12,1 | | | |
| DES PM S 112/21G | 1732071221 | 16 - max. 6,5 4 - max. 8,3 1 - max. 12,1 | 112 x 18 max. +0,5 | 130 x 28 | |

The DES PM S is an alternative to standard cable glands on electrical, electronic and telecommunication cabinets and equipment.

The cable is pushed through the front membrane, whilst the second membrane increases the strain relief and liquid resistance.

Technical data

Material: TPE

Flammability: self-extinguishing acc. to UL94-V0

Temperature: -40°C... +110°C (static)

Features: halogens and silicones free

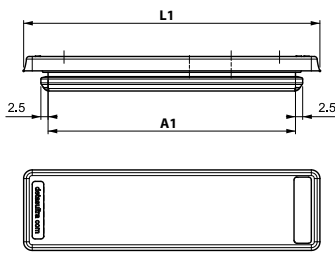
Wall thickness: from 1,5 to 2,5 mm

Related products

IFP plugs



Dimensions [mm]





DES PM S



Cable entry plates with double membrane

- ▶ For large number of cables
- ▶ High retaining force thanks to the double membrane
- ▶ Cost efficient solution
- ▶ High IP grade (IP65)



Double parallel membrane



| Model | Code | Cable nr. - Ø cable [mm] | Dimensions [mm] | | Pcs /pack |
|---------------------|------------|--|-----------------------|-------------|--------------|
| | | | Cut-out A1xA2 | Plate L1xL2 | |
| DES PM S 46/7B | 1732074608 | 2 - max. 6,5 5 - max. 8,3 | 46 x 18 max. +0,5 | 64 x 28 | 10 |
| DES PM S 46/9B | 1732074610 | 8 - max. 6,5 1 - max. 12,1 | | | |
| DES PM S 69/8B | 1732076909 | 8 - max. 7,5 | 69 x 10 max. +0,5 | 86 x 20 | |
| DES PM S 86/11B | 1732078612 | 2 - max. 6,5 9 - max. 8,35 | 85 x 18 max. +0,5 | 103 x 28 | |
| DES PM S 86/17B | 1732078618 | 16 - max. 6,5 1 - max. 12,1 | | | |
| DES PM S 112/21B | 1732071222 | 16 - max. 6,5 4 - max. 8,3 1 - max. 12,1 | 112 x 18 max. +0,5 | 130 x 28 | |

The DES PM S is an alternative to standard cable glands on electrical, electronic and telecommunication cabinets and equipment.

The cable is pushed through the front membrane, whilst the second membrane increases the strain relief and liquid resistance.

Technical data

Material: TPE

Flammability: self-extinguishing acc. to UL94-V0

Temperature: -40°C... +110°C (static)

Features: halogens and silicones free

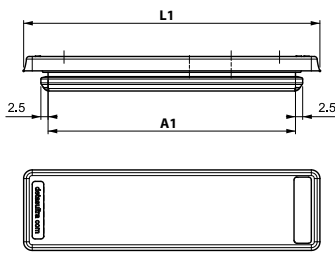
Wall thickness: from 1,5 to 2,5 mm

Related products

IFP plugs



Dimensions [mm]



IP65

NEMA
12, 4X

UL TYPE
12, 4X



ECOLAB

UL94-V0

UV
ISO 4892-2A

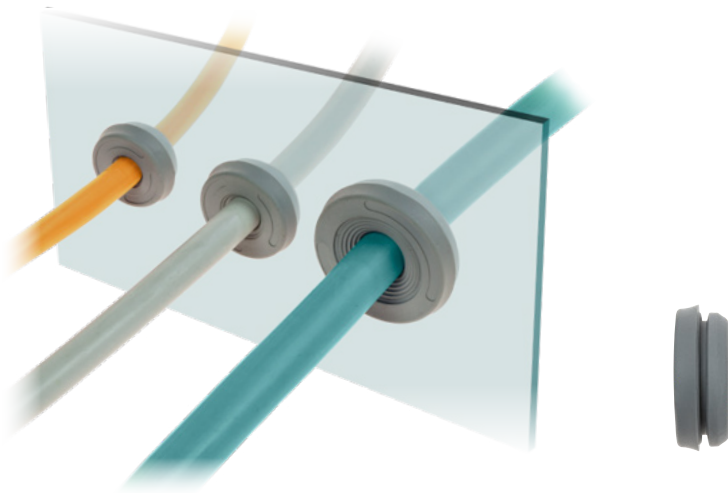
RoHS
COMPLIANT



Round cable entry plates with double membrane for single cable

- ▶ Metric sizes
- ▶ Quick to install
- ▶ Cost efficient solution
- ▶ High IP grade (IP66-67) Nema 4X*
- ▶ Reduced thickness

Double parallel membrane



| Model | Code | Cable nr. - Ø cable [mm] | Dimensions [mm] | | Pcs /pack |
|-------------|------------|-----------------------------|-----------------|---------|--------------|
| | | | Ø Cut-out | Ø Plate | |
| DES PMU 16G | 1732060116 | 1 - max. 10 | 16,5 | 24 | 10 |
| DES PMU 20G | 1732060120 | 1 - max. 13 | 20,5 | 29 | |
| DES PMU 25G | 1732060125 | 1 - max. 15 | 25,4 | 34 | |
| DES PMU 32G | 1732060132 | 1 - max. 22 | 32,5 | 40 | |
| DES PMU 16B | 1732061116 | 1 - max. 10 | 16,5 | 24 | |
| DES PMU 20B | 1732061120 | 1 - max. 13 | 20,5 | 29 | |
| DES PMU 25B | 1732061125 | 1 - max. 15 | 25,4 | 34 | |
| DES PMU 32B | 1732061132 | 1 - max. 22 | 32,5 | 40 | |

The round metric DES PMU is a single cable alternative to standard cable glands on electrical, electronic and telecommunication cabinets and equipment.

The cable is pushed through the front membrane, whilst the second membrane increases the strain relief and liquid resistance.

Technical data

Material: TPE

Flammability: self-extinguishing acc. to UL94-V0

Temperature: -40°C... +110°C (static)

Features: halogens and silicones free

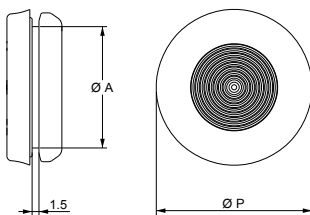
Wall thickness: from 1,5 to 2,5 mm

Related products

HY360 hydraulic punch driver

IFP plugs

Dimensions [mm]



* Indoor only

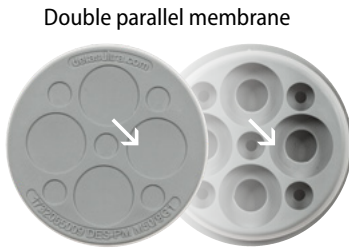


DES PM M



Round cable entry plates with double membrane

- ▶ For large number of cables
- ▶ High retaining force thanks to the double membrane
- ▶ Cost efficient solution
- ▶ High IP grade (IP65)
- ▶ Metric sizes



| Model | Code | Cable nr. - Ø cable [mm] | Dimensions [mm] | | Pcs /pack |
|-----------------|--|--|---------------------------------------|---------|--------------|
| | | | Ø Cut-out | Ø Plate | |
| DES PM M 25/4G | type 1: 1732062504 | 4 - max. 8 | min.: 25 max.: 26 recomm.: 25,5 | 34 | 10 |
| DES PM M 25/6G | type 1: 1732062506 | 4 - max. 5,2 2 - max. 9,4 | | | |
| DES PM M 32/10G | type 1: 1732063210 type 2: 1732263210 | 6 - max. 5,2 2 - max. 6,4 2 - max. 9,4 | min.: 32 max.: 33 recomm.: 32,5 | 40 | 10 |
| DES PM M 40/16B | type 1: 1732064016 | 2 - max. 3,8 10 - max. 5,3 2 - max. 8,3 2 - max. 10,3 | min.: 40 max.: 41 recomm.: 40,5 | 52 | 10 |
| DES PM M 50/9G | type 1: 1732065009 | 5 - max. 7 4 - max. 18,3 | | | |
| DES PM M 50/11G | type 1: 1732065011 | 7 - max. 7 3 - max. 11,4 1 - max. 22 | | | |
| DES PM M 50/12G | type 1: 1732065012 type 2: 1732265012 | 10 - max. 9 2 - max. 11,4 | min.: 50 max.: 51 recomm.: 50,5 | 62 | 10 |
| DES PM M 50/15G | type 1: 1732065015 | 2 - max. 6 4 - max. 7,2 4 - max. 9,7 5 - max. 12 | | | |
| DES PM M 50/17G | type 1: 1732065017 | 5 - max. 5,5 5 - max. 6,5 3 - max. 9,7 4 - max. 11,4 | | | |
| DES PM M 50/20G | type 1: 1732065020 | 16 - max. 6,5 4 - max. 9,7 | | | |

The round metric DES PM M is an alternative to standard cable glands on electrical, electronic and telecommunication cabinets and equipment.

The cable is pushed through the front membrane, whilst the second membrane increases the strain relief and liquid resistance.

Technical data

Material: TPE

Flammability: self-extinguishing acc. to UL94-V0

Temperature: -40°C... +110°C (static)

Features: halogens and silicones free

Type 1: wall thickness from 1,5 to 2,5 mm

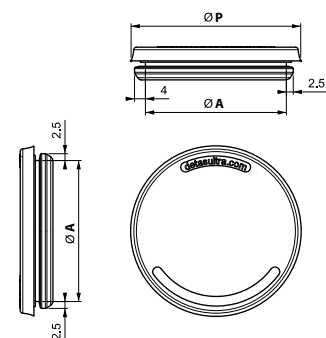
Type 2: wall thickness from 2,8 to 4 mm

Related products

HY360 hydraulic punch driver

IFP plugs

Dimensions [mm]



IP65

NEMA 12

UL TYPE 12



ECOLAB

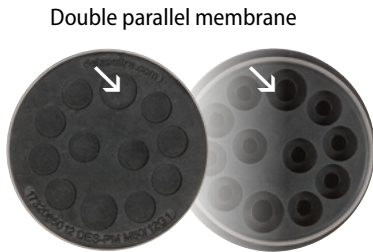


RoHS COMPLIANT



Round cable entry plates with double membrane

- ▶ For large number of cables
- ▶ High retaining force thanks to the double membrane
- ▶ Cost efficient solution
- ▶ High IP grade (IP65)
- ▶ Metric sizes



Type 1 Type 2



| Model | Code | Cable nr. - Ø cable [mm] | Dimensions [mm] | | Pcs /pack |
|--------------------|--|--|---------------------------------------|---------|--------------|
| | | | Ø Cut-out | Ø Plate | |
| DES PM M 25/4B | type 1: 1732063505 | 4 - max. 8 | min.: 25 max.: 26 recomm.: 25,5 | 34 | 10 |
| DES PM M 25/6B | type 1: 1732063507 | 4 - max. 5,2 2 - max. 9,4 | | | |
| DES PM M 32/10B | type 1: 1732064211 type 2: 1732264211 | 6 - max. 5,2 2 - max. 6,4 2 - max. 9,4 | min.: 32 max.: 33 recomm.: 32,5 | 40 | 10 |
| DES PM M 40/16G | type 1: 1732064017 | 2 - max. 3,8 10 - max. 5,3 2 - max. 8,3 2 - max. 10,3 | min.: 40 max.: 41 recomm.: 40,5 | 52 | 10 |
| DES PM M 50/9B | type 1: 1732066010 | 5 - max. 7 4 - max. 18,3 | | | |
| DES PM M 50/11B | type 1: 1732066012 | 7 - max. 7 3 - max. 11,4 1 - max. 22 | | | |
| DES PM M 50/12B | type 1: 1732066013 type 2: 1732266013 | 10 - max. 9 2 - max. 11,4 | min.: 50 max.: 51 recomm.: 50,5 | 62 | 10 |
| DES PM M 50/15B | type 1: 1732066016 | 2 - max. 6 4 - max. 7,2 4 - max. 9,7 5 - max. 12 | | | |
| DES PM M 50/17B | type 1: 1732066018 | 5 - max. 5,5 5 - max. 6,5 3 - max. 9,7 4 - max. 11,4 | | | |
| DES PM M 50/20B | type 1: 1732066021 | 16 - max. 6,5 4 - max. 9,7 | | | |

The round metric DES PM M is an alternative to standard cable glands on electrical, electronic and telecommunication cabinets and equipment.

The cable is pushed through the front membrane, whilst the second membrane increases the strain relief and liquid resistance.

Technical data

Material: TPE

Flammability: self-extinguishing acc. to UL94-V0

Temperature: -40°C... +110°C (static)

Features: halogens and silicones free

Type 1: wall thickness from 1,5 to 2,5 mm

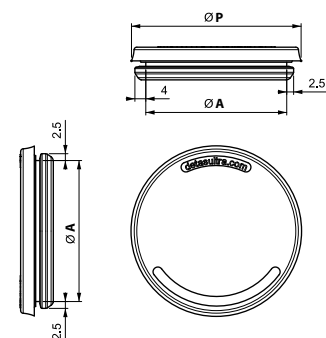
Type 2: wall thickness from 2,8 to 4 mm

Related products

HY360 hydraulic punch driver

IFP plugs

Dimensions [mm]





Plugs for cable entry plates

► Plugs for holes with diameter from 4,5 to 22,5 mm



The IFP inserts fit into the holes of the cable entry plates so that they can be used many times. They range from 4,5 to 22,5 mm diameter.

Technical data

Material: PA6

Flammability: UL94-HB

Temperature: -30°C... +100°C (static)

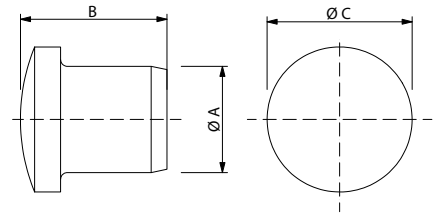
Proprietà: halogens and silicones free

Related products

| | |
|----------------|----------------|
| DES PM | SPP M grommets |
| DES PDM | SPG K grommets |
| SPP K grommets | SPG M grommets |

| Model | Code | Ø Holes [mm] | Dimensions [mm] | | | Pcs /pack |
|---------|------------|--------------|-----------------|------|------|-----------|
| | | | A | B | C | |
| IFP 5G | 1732070002 | 4,5 - 8,0 | 5,5 | 12,5 | 10,0 | 10 |
| IFP 9G | 1732070004 | 8,0 - 12,0 | 9,5 | 16,0 | 13,5 | |
| IFP 12G | 1732070006 | 12,0 - 16,0 | 12,0 | 16,5 | 16,5 | |
| IFP 16G | 1732070008 | 16,0 - 19,0 | 16,0 | 19,5 | 20,5 | |
| IFP 20G | 1732070010 | 20,0 - 22,5 | 20,0 | 21,5 | 24,5 | |
| Model | Code | Ø Holes [mm] | Dimensions [mm] | | | Pcs /pack |
| | | | A | B | C | |
| IFP 5B | 1732070012 | 4,5 - 8,0 | 5,5 | 12,5 | 10,0 | |
| IFP 9B | 1732070014 | 8,0 - 12,0 | 9,5 | 16,0 | 13,5 | |
| IFP 12B | 1732070016 | 12,0 - 16,0 | 12,0 | 16,5 | 16,5 | |
| IFP 16B | 1732070018 | 16,0 - 19,0 | 16,0 | 19,5 | 20,5 | |

Dimensions [mm]



DES PDM CAPS

Caps for cable entry plates

NEW

2

- Caps with convex head
- Available with black color
- For DES PDM cable entry plates



The DES PDM CAPS keeps the product clean from the front, preventing dirt from settling in the screw seats.

Technical data

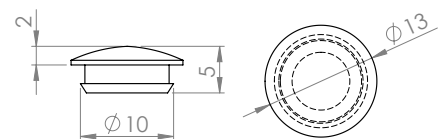
Material: HDPE

Related products

| | |
|---------------|------------|
| DES PDM 24 | DES PDM S |
| DES PDM 24 FT | DES PDM KN |
| DES PDM Q | |

| Model | Code | Ø Hole [mm] | Dimensions [mm] | | | Pcs /pack |
|--------------|------------|-------------|-----------------|----|---|-----------|
| | | | A | B | C | |
| DES PDM CAPS | 1732019980 | 9,5 | 13 | 10 | 5 | 50 |

Dimensions [mm]



Group 3

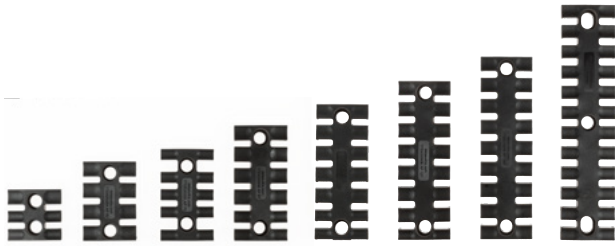
Strain relief modules





Strain relief modules - screw fixing

- ▶ Modules also available with aluminum or brass bushings
- ▶ Strain relief acc. to EN 62444
- ▶ Easy to install
- ▶ Cost efficient solution
- ▶ UL94-V0



| Modules without bushings | | | | | |
|--------------------------|------------|-----------------|-------|-------|-----------|
| Model | Code | Dimensions [mm] | | Teeth | Pcs /pack |
| | | L1 | L2 | | |
| AP 39 | 1733020003 | 38,5 | 19,5 | 3 | 10 |
| AP 60 | 1733020004 | 59,5 | 43,5 | 4 | |
| AP 70 | 1733020005 | 69,1 | 43,5 | 5 | |
| AP 87 | 1733020006 | 86,5 | 68 | 6 | |
| AP 103 | 1733020007 | 102,5 | 84 | 7 | |
| AP 121 | 1733020008 | 121 | 102,5 | 8 | |
| AP 140 | 1733020009 | 139,5 | 121 | 9 | |
| AP 180 | 1733020010 | 180 | 157 | 12 | |

The AP modules are used in electrical switchboards and equipment in order to keep the cables tidy whilst providing strain relief according to EN 62444.

The cables can be fixed with standard plastic ties or reusable velcro ties.

Spacers are available for multi-tier applications.

Technical data

Material: PA

Flammability: self-extinguishing acc. to UL94-V0

Temperature: -40°C... +140°C (static)

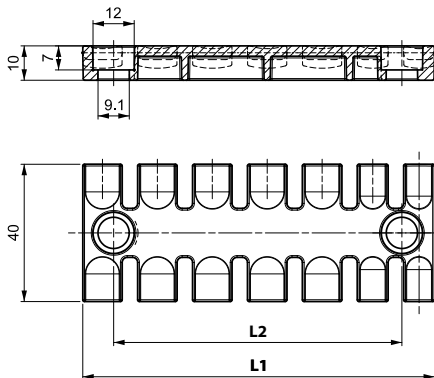
Features: halogens and silicones free

Related products

DZ spacers

FV cable ties

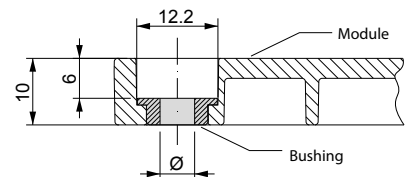
Dimensions [mm]





Strain relief modules - screw fixing

| Modules with aluminum bushings | | | Modules with brass bushings | | | Dimensions [mm] | | Teeth | Pcs /pack |
|--------------------------------|------------|---------|-----------------------------|------------|---------|-----------------|-------|-------|-----------|
| Model | Code | Bushing | Model | Code | Bushing | L1 | L2 | | |
| AP 39 BA4 | 1733021403 | Ø4 | AP 39 BR4 | 1733022403 | Ø4 | 38,5 | 19,5 | 3 | 10 |
| AP 60 BA4 | 1733021404 | | AP 60 BR4 | 1733022404 | | 59,5 | 43,5 | 4 | |
| AP 70 BA4 | 1733021405 | | AP 70 BR4 | 1733022405 | | 69,1 | 43,5 | 5 | |
| AP 87 BA4 | 1733021406 | | AP 87 BR4 | 1733022406 | | 86,5 | 68 | 6 | |
| AP 103 BA4 | 1733021407 | | AP 103 BR4 | 1733022407 | | 102,5 | 84 | 7 | |
| AP 121 BA4 | 1733021408 | | AP 121 BR4 | 1733022408 | | 121 | 102,5 | 8 | |
| AP 140 BA4 | 1733021409 | | AP 140 BR4 | 1733022409 | | 139,5 | 121 | 9 | |
| AP 180 BA4 | 1733021410 | | AP 180 BR4 | 1733022410 | | 180 | 157 | 12 | |
| AP 39 BA5 | 1733021503 | Ø5 | AP 39 BR5 | 1733022503 | Ø5 | 38,5 | 19,5 | 3 | |
| AP 60 BA5 | 1733021504 | | AP 60 BR5 | 1733022504 | | 59,5 | 43,5 | 4 | |
| AP 70 BA5 | 1733021505 | | AP 70 BR5 | 1733022505 | | 69,1 | 43,5 | 5 | |
| AP 87 BA5 | 1733021506 | | AP 87 BR5 | 1733022506 | | 86,5 | 68 | 6 | |
| AP 103 BA5 | 1733021507 | | AP 103 BR5 | 1733022507 | | 102,5 | 84 | 7 | |
| AP 121 BA5 | 1733021508 | | AP 121 BR5 | 1733022508 | | 121 | 102,5 | 8 | |
| AP 140 BA5 | 1733021509 | | AP 140 BR5 | 1733022509 | | 139,5 | 121 | 9 | |
| AP 180 BA5 | 1733021510 | | AP 180 BR5 | 1733022510 | | 180 | 157 | 12 | |
| AP 39 BA6 | 1733021603 | Ø6 | AP 39 BR6 | 1733022603 | Ø6 | 38,5 | 19,5 | 3 | |
| AP 60 BA6 | 1733021604 | | AP 60 BR6 | 1733022604 | | 59,5 | 43,5 | 4 | |
| AP 70 BA6 | 1733021605 | | AP 70 BR6 | 1733022605 | | 69,1 | 43,5 | 5 | |
| AP 87 BA6 | 1733021606 | | AP 87 BR6 | 1733022606 | | 86,5 | 68 | 6 | |
| AP 103 BA6 | 1733021607 | | AP 103 BR6 | 1733022607 | | 102,5 | 84 | 7 | |
| AP 121 BA6 | 1733021608 | | AP 121 BR6 | 1733022608 | | 121 | 102,5 | 8 | |
| AP 140 BA6 | 1733021609 | | AP 140 BR6 | 1733022609 | | 139,5 | 121 | 9 | |
| AP 180 BA6 | 1733021610 | | AP 180 BR6 | 1733022610 | | 180 | 157 | 12 | |



3





Strain relief modules for DIN and Omega rails

- ▶ Strain relief according to EN 62444
- ▶ Easy to install
- ▶ Cost efficient solution
- ▶ UL94-V0



APD 180



APD 39-80-140



| Model | Code | Dimensions [mm] | | Teeth | Pcs /pack |
|---------|------------|-----------------|-------|-------|-----------|
| | | L1 | L2 | | |
| APD 39 | 1733000003 | 38,5 | 28,3 | 3 | 10 |
| APD 80 | 1733000006 | 79,5 | 68 | 6 | |
| APD 140 | 1733000009 | 139,5 | 128,1 | 9 | |
| APD 180 | 1733000012 | 180 | 157 | 12 | |

The APD modules are used in electrical cabinets to organise the cables whilst providing strain relief according to EN 62444.

The cables can be fixed with standard plastic ties or reusable velcro ties.

Technical data

Material: PA

Flammability: self-extinguishing acc. to UL94-V0

Temperature: -40°C... +140°C (static)

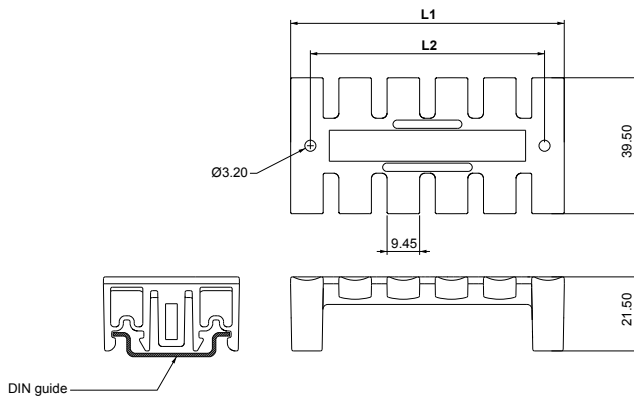
Features: halogens and silicones free

Related products

FV cable ties

3

Dimensions [mm]





Strain relief modules - double comb for screw fixing

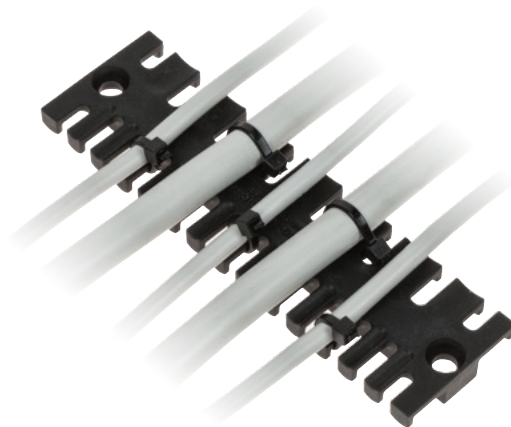
- ▶ Strain relief acc. to EN 62444
- ▶ Easy to install
- ▶ Cost efficient solution
- ▶ UL94-V0



Aluminum bushing



Brass bushing



| Model | Code | Bushing | Dimensions [mm] | | Teeth | Pcs /pack |
|---------------|------------|----------------|-----------------|------|-------|-----------|
| | | | L1 | L2 | | |
| AP-DP 63 | 1733010047 | - | 63,4 | 42 | 4-7 | 10 |
| AP-DP 95 | 1733010611 | - | 95 | 74,5 | 6-11 | |
| AP-DP 119 | 1733010713 | - | 119 | 108 | 7-13 | |
| AP-DP 63-BA4 | 1733011447 | Aluminum Ø4 | 63,4 | 42 | 4-7 | |
| AP-DP 95-BA4 | 1733011411 | | 95 | 74,5 | 6-11 | |
| AP-DP 119-BA4 | 1733011413 | | 119 | 108 | 7-13 | |
| AP-DP 63-BR4 | 1733012447 | Brass Ø4 | 63,4 | 42 | 4-7 | |
| AP-DP 95-BR4 | 1733012411 | | 95 | 74,5 | 6-11 | |
| AP-DP 119-BR4 | 1733012413 | | 119 | 108 | 7-13 | |

The AP-DP modules are used in electrical switchboards and equipment keeping cables of various sizes tidy whilst providing strain relief according to EN 62444.

The cables can be fixed with standard plastic ties or reusable Velcro ties.

Spacers are available for multi-tier applications.

Technical data

Material: PA

Flammability: self-extinguishing acc. to UL94-V0

Temperature: -40°C... +140°C (static)

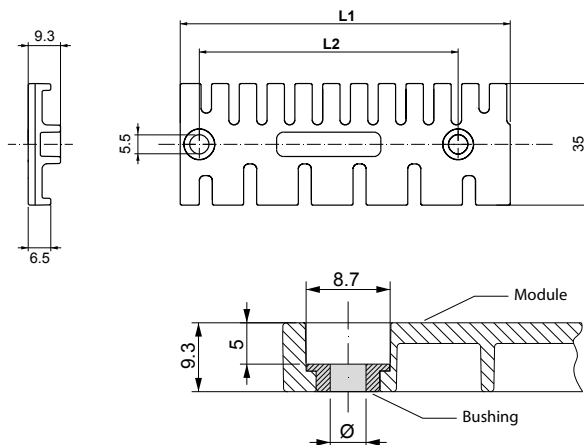
Features: halogens and silicones free

Related products

DZ spacers

FV cable ties

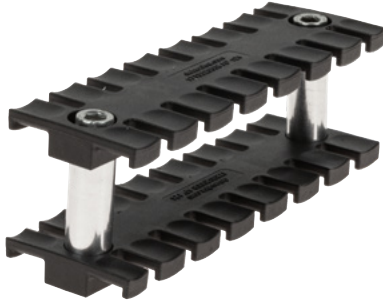
Dimensions [mm]





Spacers

► Increase in cable bundle density



DZ 30



DZ 32

| Model | Code | Suitable for | H [mm] | D1 [mm] | D2 [mm] | Pcs /pack |
|-------|------------|--------------|-----------|------------|------------|--------------|
| DZ 30 | 1733020011 | AP-DP | 30 | 7 | 5,2 | 10 |
| DZ 32 | 1733020012 | AP | 32 | 12 | 6,2 | |

The spacers are used to build a multi-tier system in the case of a large number of cables.

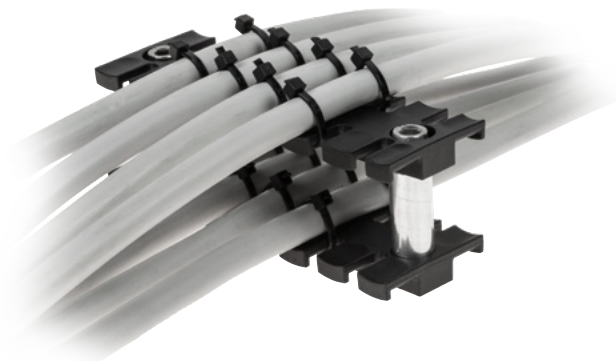
Technical data

Material: Aluminum

Related products

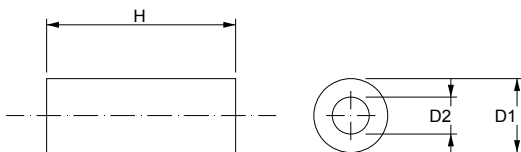
AP strain relief modules

AP-DP double-comb strain relief modules



3

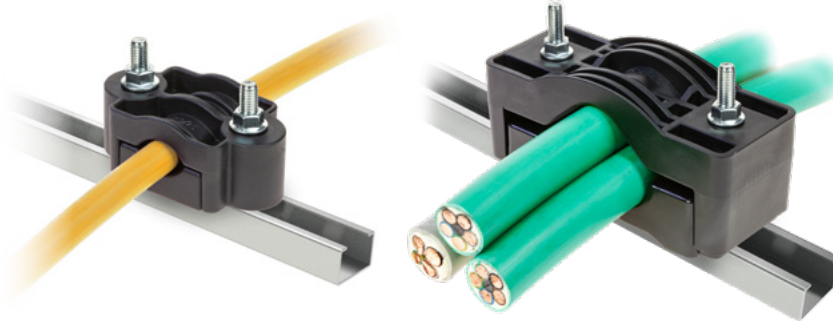
Dimensions [mm]





Cable fixing clamps

- ▶ For cable diameter from 13 to 95 mm
- ▶ Strain relief acc. to EN 62444
- ▶ Fixing screws not included



| Model | Code | Cable nr. - Ø cable min/max [mm] | Dimensions [mm] | | | | Pcs /pack |
|-----------|------------|-------------------------------------|-----------------|------|------|-----|--------------|
| | | | L | B | H | D | |
| MFK 13-25 | 1733030010 | 1 - 13/25 | 87,5 | 47 | 35 | 60 | 1 |
| MFK 20-36 | 1733030015 | 1 - 20/36 | 88 | 58 | 42 | 60 | |
| MFK 36-52 | 1733030020 | 1 - 36/52 | 106,5 | 59 | 49,5 | 75 | |
| MFK 55-75 | 1733030025 | 1 - 55/75 | 113,5 | 59 | 52 | 83 | |
| MFK 75-95 | 1733030030 | 1 - 75/95 | 128 | 59 | 64,5 | 95 | |
| MFY 27-38 | 1733030040 | 3 - 27/38 | 175 | 70 | 73,5 | 125 | 1 |
| MFY 38-51 | 1733030050 | 3 - 38/51 | 189 | 76 | 94 | 144 | |
| MFY 51-69 | 1733030060 | 3 - 51/69 | 214 | 80,5 | 121 | 168 | |

The MFK/MFY cable clamps are used to secure cables with diameters up to 95 mm diameter in safe and strain relief position.

The MFK is used for single cable and the MFY is used up to three cables.

They are normally used in electrical installation to keep the cables in the right position according to EN62444 strain relief standard.

Technical data

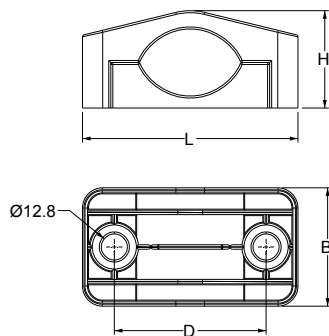
Material: PA

Flammability: self-extinguishing acc. to UL94-V0

Temperature: -40°C... +140°C (static)

Features: halogens and silicones free

Dimensions [mm]





FV OW

Velcro® ONE-WRAP® ties

- ▶ The Velcro® ties can be reusable many times
- ▶ Adaptable to the cable shape
- ▶ Suitable for high vibration scenarios
- ▶ Packed pre-cutted in reels
- ▶ Without glue, no chemical traces
- ▶ Standard color black, other colors on demand



| Model | Code | Dimensions [mm] | | | Pcs /pack |
|-------|------------|-----------------|-----|----|-----------|
| | | A | B | C | |
| OW13 | 1733021012 | 13 | 200 | 7 | 100 |
| OW20 | 1733021013 | 20 | 230 | 13 | |



The Velcro® cable ties allow a large number of cables to be bundled together.

They prevent damage during vibration events and can be reused several times.

The OW series includes already pre-cutted ties conveniently packed in 100 pcs reel.

Technical data

Material: PE + Nylon

Flammability: self-extinguishing acc. to UL94-V2

Temperature: 0°C... + 104°C (static)

Related products

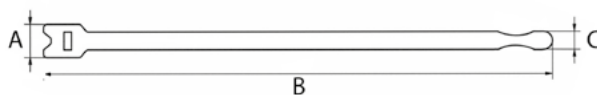
AP strain relief modules

AP-DP double-comb strain relief modules

APD strain relief modules for DIN rails

3

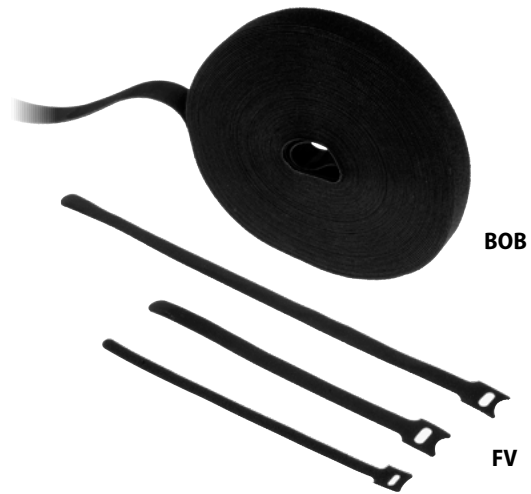
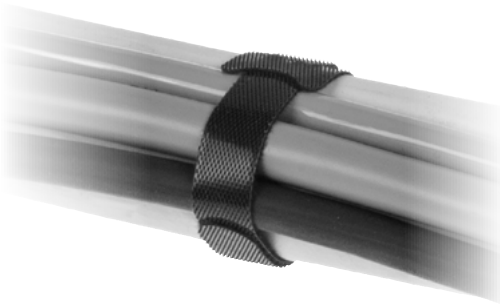
Dimensions [mm]





Hook and loop cable ties

- ▶ The hook and loop cable ties can be reused
- ▶ Adaptable to the shape of the cable bundles
- ▶ Particularly effective in the event of vibration
- ▶ Also available in reels



| Model | Code | Dimensions [mm] | | Pcs /pack |
|-----------|------------|-----------------|----|-----------|
| | | L | W | |
| FV1 | 1733020020 | 200 | 10 | 100 |
| FV2 | 1733020025 | 200 | 13 | |
| FV3 | 1733020030 | 300 | 17 | |
| BOB 10X25 | 1733021010 | 25 m | 10 | 1 |
| BOB 20X25 | 1733021020 | 25 m | 20 | |

Hook and loop cable ties allow a large number of cables to be bundled together. They prevent damage in the event of vibration and can be reused many times.

They are available in 3 different types or in 25 m reels.

Technical data

Material: PE + Nylon

Flammability: self-extinguishing acc. to UL94-V2

Temperature: 0°C... + 104°C (static)

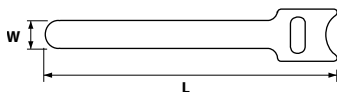
Related products

AP strain relief modules

AP-DP double-comb strain relief modules

APD strain relief modules for DIN rails

Dimensions [mm]





Metal detectable cable ties

- ▶ Especially designed for food and pharma industries
- ▶ Self-extinguishing UL94-V2
- ▶ 4 measures standard, other on request
- ▶ Useable in the HACCP process



| Model | Code | Dimensions [mm] | | Pcs /pack |
|--------|------------|-----------------|-----|-----------|
| | | L | W | |
| FVM100 | 1733021100 | 100 | 2,5 | 100 |
| FVM150 | 1733021150 | 150 | 3,6 | |
| FVM200 | 1733021200 | 200 | 4,8 | |
| FVM300 | 1733021300 | 300 | 4,8 | |

The metal detectable cable ties are FDA compliant for Food & Pharma industries application. A particular production process add a metallic pigment which makes the cable ties detectable by x-rays and metal detectors.

They can be used in the HACCP process reducing the risk of food contamination.

The blue color help the visual recognition.

Technical data

Material: PA66

Flammability: self-extinguishing acc. to UL94-V2

Temperature: -40°C... + 85°C (static)

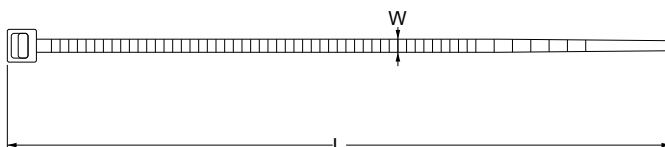
Related products

DES PDM 24 clean

FVM cable ties

3

Dimensions [mm]





Fixing clips for metal detectable cable ties

- ▶ Specific for the food and pharmaceutical industry
- ▶ Self-extinguishing UL94-HB
- ▶ Double fixing system: adhesive or screws
- ▶ Fixing on four sides
- ▶ Can be used in the HACCP process



| Model | Code | Dimensions [mm] | | | | Cable tie max. width | Pcs /pack |
|---------|------------|-----------------|------|-----|------------|-------------------------|--------------|
| | | L | W | H | D | | |
| FVS-Q1 | 1733021305 | 12,8 | 12,8 | 3,4 | - | 3,2 | 100 |
| FVS-Q2 | 1733021310 | 19 | 19 | 4,2 | 3,5 | 4 | |
| FVS-Q3 | 1733021315 | 28,1 | 28,1 | 5,2 | 5,7 | 5,3 | |
| FVS-R8 | 1733021325 | 14,8 | 9,5 | 7,2 | max. M4 | 4,8 | 100 |
| FVS-T10 | 1733021335 | 21,7 | 15,9 | 9,7 | max. M5 | 9 | 100 |

The fixing clips for FVM cable ties are specially designed for the food and pharmaceutical industry. An exclusive manufacturing process includes a metallic pigment that makes them detectable by metal detectors or X-ray devices. The mounting supports allow the fixing of the clamps even in areas with high vibrations, thanks to the 4 direction fixing.

Can be used in the HACCP process reducing the risk of food contamination.

The blue colour facilitates visual recognition.

Technical data

Material: PA66

Flammability: self-extinguishing acc. to UL94-HB

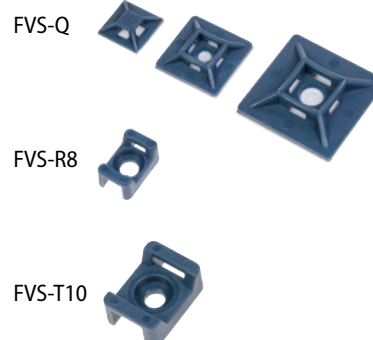
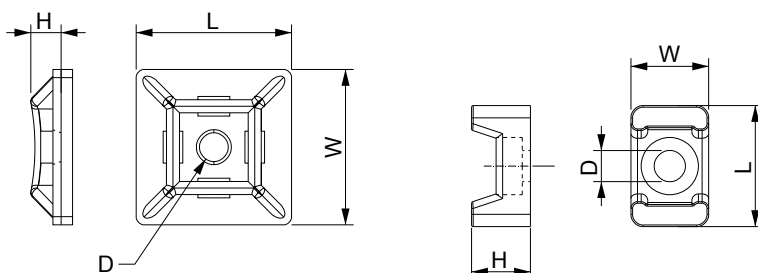
Temperature: -40°C... +85°C (static)

Related products

DES PDM 24 clean

FVM cable ties

Dimensions [mm]



Group 4

EMC shielding





Shield clamps with screw fixing with double cable tie secure

- ▶ Suitable for a range of cables from 1,5 to 30 mm
- ▶ Possibility of obtaining shield grounding and anti-tear functions with a single device
- ▶ Double cable tie secure possible
- ▶ Snap-in assembly, no need to use tools
- ▶ Constant pressure of the spring on the cable sheath without having to run tests and checks
- ▶ Available with hole M5



| Model | Code | Clamping range [mm] | Dimensions [mm] | | | | Pcs /pack |
|------------|------------|------------------------|-----------------|------|------|----|--------------|
| | | | L | B | H | S | |
| MSA 1.5-3 | 1734030010 | 1,5 - 3 | 10 | 11 | 15,5 | 8 | 50 |
| MSA 3-6 | 1734030020 | 3 - 6 | 10 | 11 | 17,5 | 8 | |
| MSA 7-9 | 1734030030 | 7 - 9 | 10 | 11 | 21 | 8 | |
| MSA 9-12 | 1734030040 | 9 - 12 | 10 | 12 | 22,5 | 8 | |
| MSA 11-17 | 1734030050 | 11 - 17 | 10 | 13,5 | 29 | 8 | |
| MSA 18-22 | 1734030060 | 18 - 22 | 10 | 22 | 40 | 8 | |
| MSA 22-30 | 1734030070 | 22 - 30 | 10 | 22,5 | 47 | 12 | |
| MSAL 3-9 | 1734030080 | 3 - 9 | 10 | 16,5 | 24 | 8 | |
| MSAL 10-19 | 1734030090 | 10 - 19 | 10 | 19,5 | 30,5 | 8 | |

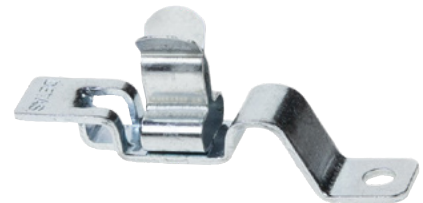
The MSA shield clamps enable the cable shield to be grounded easily and effectively. They secure the anti-tear function on the cable by fixing it with one or two cable ties.

The shield clamp can be fixed with a M4 screw.

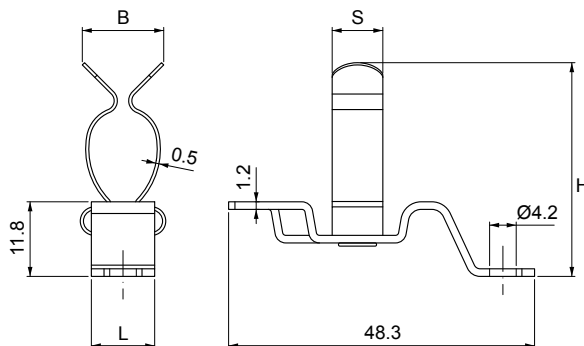
The anti-tear function complies with EN 62444 standards.

Technical data

Material: spring steel, zinc plated



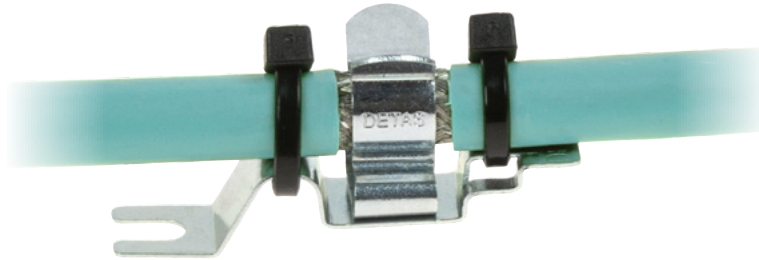
Dimensions [mm]





Shield clamps with screw fixing with double cable tie secure

- ▶ Suitable for a range of cables from 1,5 to 30 mm
- ▶ Possibility of obtaining shield grounding and anti-tear functions with a single device
- ▶ Double cable tie secure possible
- ▶ Snap-in assembly, no need to use tools
- ▶ Constant pressure of the spring on the cable sheath without having to run tests and checks



| Model | Code | Clamping range [mm] | Dimensions [mm] | | | | Pcs /pack |
|------------|------------|---------------------|-----------------|------|------|----|-----------|
| | | | L | B | H | S | |
| MSE 1.5-3 | 1734050010 | 1,5 - 3 | 10 | 11 | 15,5 | 8 | 50 |
| MSE 3-6 | 1734050020 | 3 - 6 | 10 | 11 | 17,5 | 8 | |
| MSE 7-9 | 1734050030 | 7 - 9 | 10 | 11 | 21 | 8 | |
| MSE 9-12 | 1734050040 | 9 - 12 | 10 | 12 | 22,5 | 8 | |
| MSE 11-17 | 1734050050 | 11 - 17 | 10 | 13,5 | 29 | 8 | |
| MSE 18-22 | 1734050060 | 18-22 | 10 | 22 | 37 | 8 | |
| MSE 22-30 | 1734050070 | 22-30 | 10 | 22,5 | 46,5 | 12 | |
| MSEL 3-9 | 1734050080 | 3 - 9 | 10 | 16,5 | 24 | 8 | |
| MSEL 10-19 | 1734050090 | 10 - 19 | 10 | 19,5 | 30,5 | 8 | |

The MSE shield clamps enable the cable shield to be grounded easily and effectively. They secure the anti-tear function on the cable by fixing it with one or two cable ties.

The shield clamp can be fixed with a M4 screw.

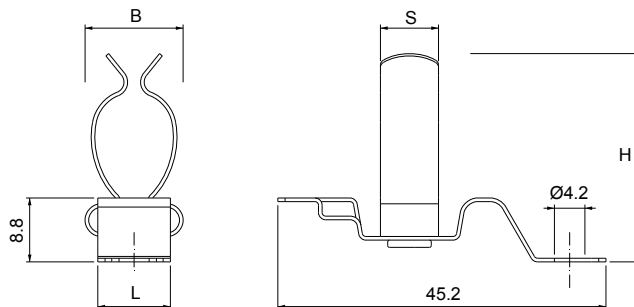
They secure the anti-tear function in compliance with EN62444 by fixing the cable it with one or two cable ties.

Technical data

Material: spring steel, zinc plated



Dimensions [mm]





Shield clamps with screw fixing

NEW

- ▶ Suitable for a cable range from 1,5 to 12 mm diameter
- ▶ Useful in small places
- ▶ Screw fixing hole M4
- ▶ Constant pressure of the spring on the cable sheath



| Model | Code | Clamping range [mm] | Dimensions [mm] | | | | Pcs /pack |
|-----------|------------|---------------------|-----------------|------|------|----|-----------|
| | | | L | B | H | S | |
| MSM 1.5-3 | 1734030110 | 1,5 - 3 | 10 | 11 | 19 | 11 | 50 |
| MSM 3-6 | 1734030120 | 3 - 6 | 10 | 11 | 21.5 | 11 | |
| MSM 7-9 | 1734030130 | 7 - 9 | 10 | 11 | 24 | 11 | |
| MSM 9-12 | 1734030140 | 9 - 12 | 12 | 12 | 27.5 | 12 | |
| MSML 3-9 | 1734030180 | 3 - 9 | 10 | 16.5 | 22 | 8 | |

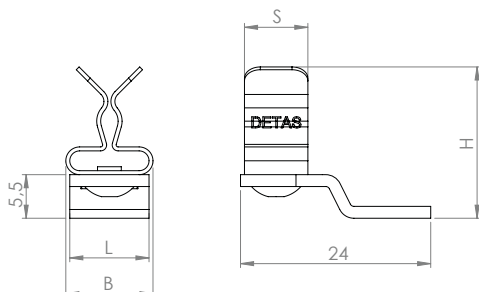
The MSM and MSML shield clamps enable the cable shield to be grounded easily and effectively.

The shield clamp can be fixed with a M4 screw or rivet.

Technical data

Material: spring steel, zinc plated

Dimensions [mm]



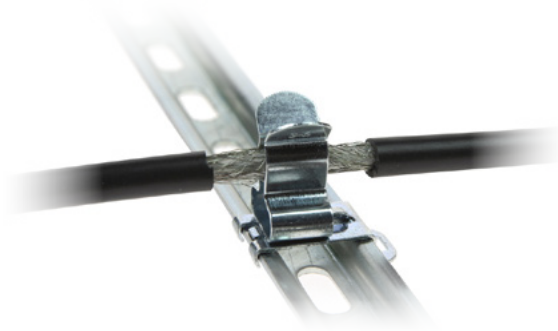
4



Shield clamps for DIN TS15 Rail

NEW

- ▶ Suitable for a cable range from 1,5 to 9 mm diameter
- ▶ Shield grounding and anti-tear functions with a unique device
- ▶ Easy and fast installation without tools
- ▶ Constant pressure of the spring on the cable sheath without having to run tests and checks



| Model | Code | Clamping range [mm] | Dimensions [mm] | | | | Pcs /pack |
|-----------|------------|---------------------|-----------------|----|------|---|-----------|
| | | | L | B | H | S | |
| MSG 1.5-3 | 1734060110 | 1,5 - 3 | 10 | 11 | 15,5 | 8 | 50 |
| MSG 3-6 | 1734060120 | 3 - 6 | 10 | 11 | 17,5 | 8 | |
| MSG 7-9 | 1734060130 | 7 - 9 | 10 | 11 | 21 | 8 | |

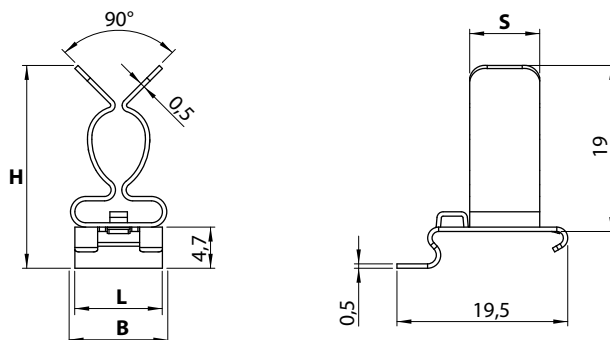
The MSG shield clamps enable the cable shield to be grounded easily and effectively. They secure the anti-tear function on the cable by fixing it with a tie.

The MSD shield clamps can be used on 15 mm DIN rails.

Caratteristiche

Material: spring steel, zinc plated

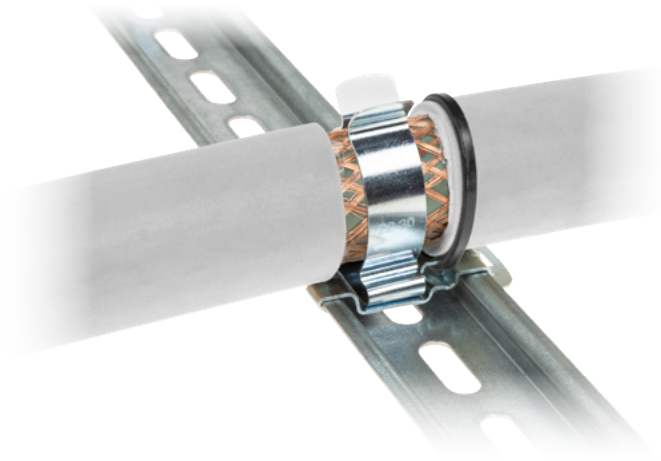
Dimensions [mm]





Shield clamps for DIN and Omega rails

- ▶ Suitable for a wide range of cables from 22 to 74 mm
- ▶ Snap-in assembly, no need to use tools
- ▶ Available with a coupling base in two widths: 14 and 22 mm
- ▶ High vibration resistance
- ▶ Possibility of obtaining shield grounding and anti-tear functions with a single device
- ▶ Ideal adherence to cable shielding
- ▶ Constant pressure of the spring on the cable sheath without having to run tests and checks



| Model | Code | Clamping range [mm] | Dimensions [mm] | | | | Pcs /pack |
|-----------|------------|---------------------|-----------------|------|------|----|-----------|
| | | | L | B | H | S | |
| MSD 22-30 | 1734020070 | 22 - 30 | 22 | 22,5 | 45 | 12 | 50 |
| MSD 30-37 | 1734020080 | 30 - 37 | 22 | 31 | 58 | 12 | 10 |
| MSD 38-48 | 1734020090 | 38 - 48 | 22 | 40 | 68,5 | 12 | 10 |
| MSD 50-60 | 1734021095 | 50-60 | 22 | 50 | 75 | 12 | 10 |
| MSD 62-74 | 1734021098 | 62-74 | 22 | 62 | 89 | 12 | 10 |

The MSD shield clamps enable the cable shield to be grounded easily and effectively. They secure the anti-tear function on the cable by fixing it with a tie.

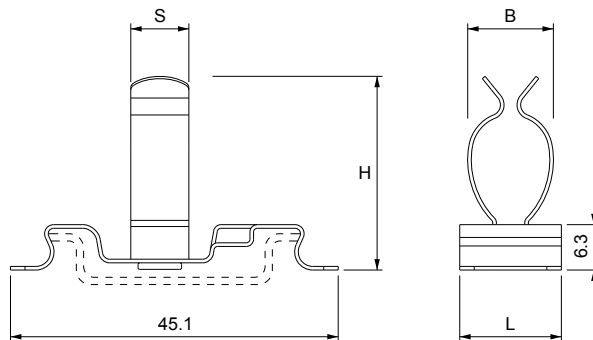
The anti-tear function complies with EN 62444 standards.

The MSD shield clamps can be used on 35 mm DIN/Omega rails.

Technical data

Material: spring steel, zinc plated

Dimensions [mm]



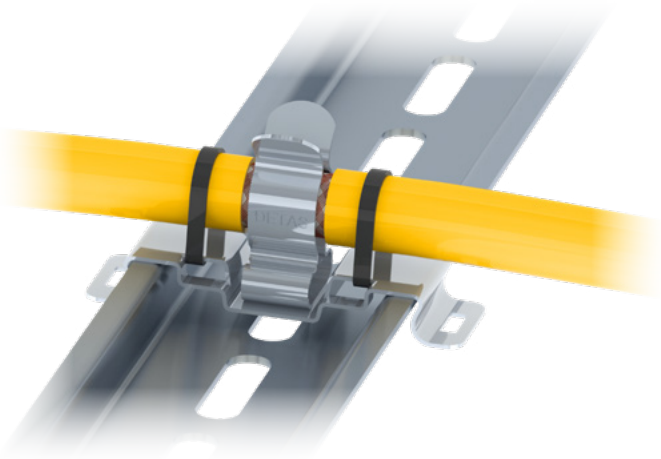
MSD 50-60



MSD2

Shield clamps for DIN and Omega rails with double cable tie secure

- ▶ Suitable for a wide range of cables from 1,5 to 22 mm
- ▶ Snap-in assembly, no need to use tools
- ▶ **Increased wings length for easier cable insertion**
- ▶ Double cable tie secure possible
- ▶ Possibility of obtaining shield grounding and anti-tear functions with a single device
- ▶ Ideal adherence to cable shielding
- ▶ Constant pressure of the spring on the cable sheath without having to run tests and checks



| Model | Code | Clamping range [mm] | Dimensions [mm] | | | | Pcs /pack |
|-------------|------------|---------------------|-----------------|------|------|---|-----------|
| | | | L | B | H | S | |
| MSD2 1.5-3 | 1734021010 | 1,5 - 3 | 14 | 11 | 15 | 8 | 50 |
| MSD2 3-6 | 1734021020 | 3 - 6 | 14 | 11 | 17,5 | 8 | |
| MSD2 7-9 | 1734021030 | 7 - 9 | 14 | 11 | 20 | 8 | |
| MSD2 9-12 | 1734021040 | 9 - 12 | 14 | 12 | 23 | 8 | |
| MSD2 11-17 | 1734021050 | 11 - 17 | 14 | 13,5 | 29 | 8 | |
| MSD2 18-22 | 1734021060 | 18 - 22 | 14 | 22 | 38 | 8 | |
| MSD2L 3-9 | 1734021080 | 3 - 9 | 14 | 16,5 | 22 | 8 | |
| MSD2L 10-19 | 1734021090 | 10 - 19 | 14 | 19,5 | 28,5 | 8 | |

The MSD2 shield clamps enable the cable shield to be grounded easily and effectively. They secure the anti-tear function on the cable by fixing it with one or two cable ties.

The anti-tear function complies with EN 62444 standards.

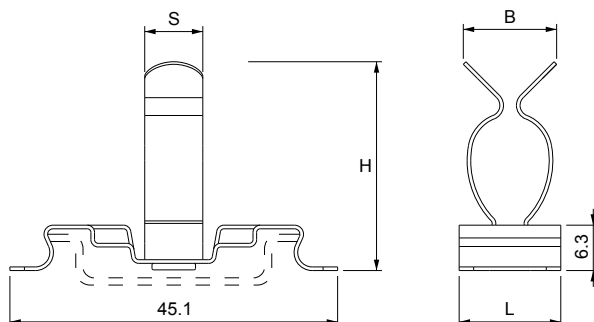
The MSD 2 shield clamps can be used on 35 mm DIN/Omega rails.

Technical data

Material: spring steel, zinc plated



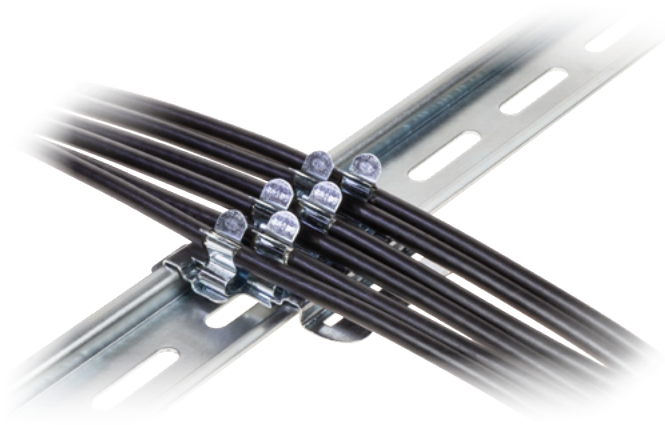
Dimensions [mm]





Double shield clamps for DIN and Omega rails

- ▶ Suitable for a range of cables from 1,5 to 6 mm
- ▶ Snap-in assembly, no need to use tools
- ▶ Space savings compared to conventional models
- ▶ Possibility of obtaining shield grounding and anti-tear functions with a single device
- ▶ Ideal adherence to cable shielding
- ▶ Constant pressure of the spring on the cable sheath without having to run tests and checks



| Model | Code | Clamping range [mm] | Dimensions [mm] | | | Pcs /pack |
|-----------------|------------|---------------------|-----------------|----|------|-----------|
| | | | L | B | H | |
| MSP 1.5 - 3 | 1734010410 | 1,5 - 3 | 52.4 | 20 | 15.5 | 50 |
| MSP 3 - 6 | 1734010420 | 3 - 6 | 52.4 | 20 | 18 | |
| MSP 1.5-3 / 3-6 | 1734010430 | 1,5 - 6 | 52.4 | 20 | 18 | |

The MSP shield clamps enable the cable shield to be grounded easily and effectively. They secure the anti-tear function on the cable by fixing it with a cable tie.

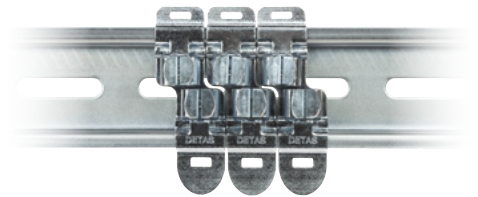
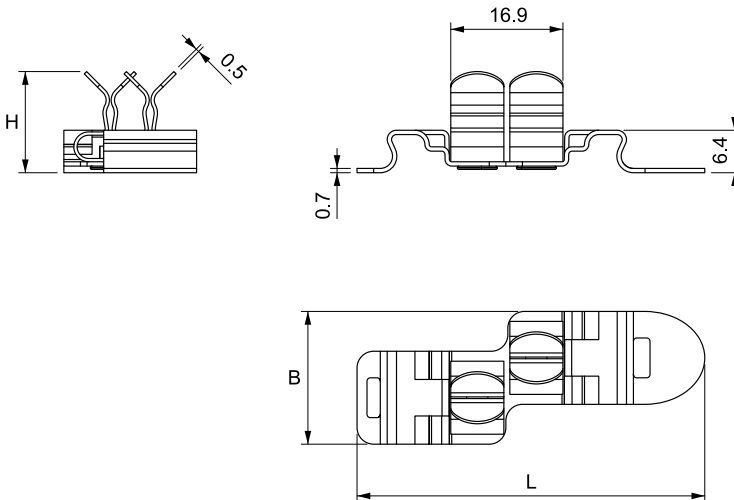
The anti-tear function complies with EN 62444 standards.

The MSD 2 shield clamps can be used on 35 mm DIN/Omega rails.

Technical data

Material: spring steel, zinc plated

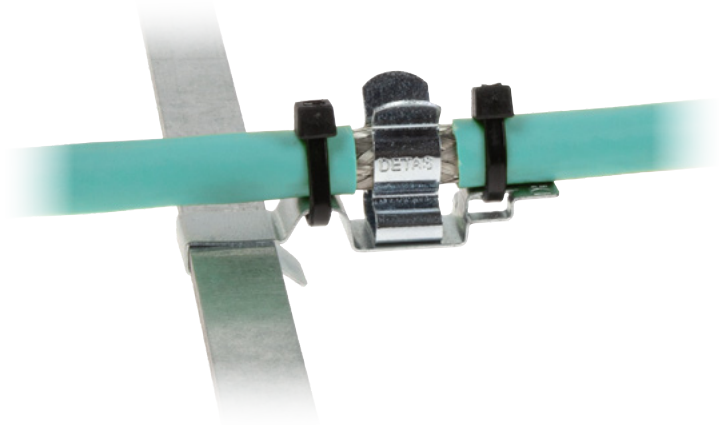
Dimensions [mm]





Shield clamps for 10 x 3 mm bar with double cable tie secure

- ▶ Suitable for a range of cables from 1,5 to 30 mm
- ▶ Possibility of obtaining shield grounding and anti-tear functions with a single device
- ▶ Double cable tie secure possible
- ▶ Snap-in assembly, no need to use tools
- ▶ Constant pressure of the spring on the cable sheath without having to run tests and checks



| Model | Code | Clamping range [mm] | Dimensions [mm] | | | | Pcs /pack |
|------------|------------|---------------------|-----------------|------|------|----|-----------|
| | | | L | B | H | S | |
| MSB 1.5-3 | 1734040010 | 1,5 - 3 | 10 | 11 | 15 | 8 | 50 |
| MSB 3-6 | 1734040020 | 3 - 6 | 10 | 11 | 17 | 8 | |
| MSB 7-9 | 1734040030 | 7 - 9 | 10 | 11 | 20 | 8 | |
| MSB 9-12 | 1734040040 | 9 - 12 | 10 | 12 | 22 | 8 | |
| MSB 11-17 | 1734040050 | 11 - 17 | 10 | 13,5 | 28 | 8 | |
| MSB 18-22 | 1734040060 | 18 - 22 | 10 | 22 | 37 | 8 | |
| MSB 22-30 | 1734040070 | 22 - 30 | 10 | 22,5 | 46,5 | 12 | |
| MSBL 3-9 | 1734040080 | 3 - 9 | 10 | 16,5 | 23,5 | 8 | |
| MSBL 10-19 | 1734040090 | 10 - 19 | 10 | 19,5 | 30 | 8 | |

The MSB shield clamps enable the cable shield to be grounded easily and effectively. They secure the anti-tear function on the cable by fixing it with one or two cable ties.

The MSB shield clamps can be used on 10x3 bars.

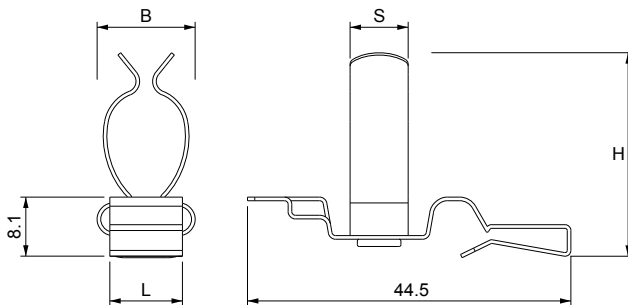
The anti-tear function complies with EN 62444 standards.

Technical data

Material: spring steel, zinc plated



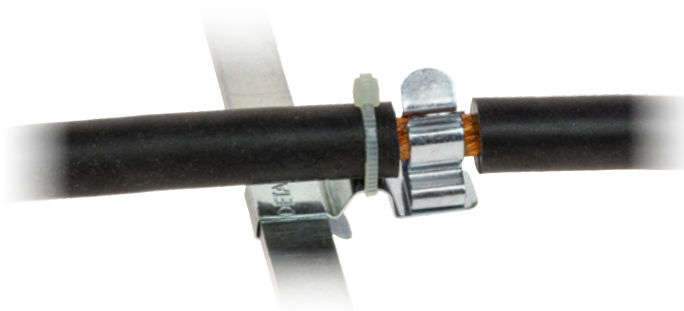
Dimensions [mm]



Shield clamps for 10 x 3 mm bar

NEW

- ▶ Suitable for a range of cables from 1,5 to 30 mm
- ▶ Possibility of obtaining shield grounding and anti-tear functions with a single device
- ▶ Snap-in assembly, no need to use tools
- ▶ Constant pressure of the spring on the cable sheath without having to run tests and checks



| Model | Code | Clamping range [mm] | Dimensions [mm] | | | | Pcs /pack |
|-----------|------------|---------------------|-----------------|------|------|----|-----------|
| | | | L | B | H | S | |
| MSR 1.5-3 | 1734040310 | 1,5 - 3 | 10 | 11 | 16,5 | 8 | 50 |
| MSR 3-6 | 1734040320 | 3 - 6 | 10 | 11 | 19 | 8 | |
| MSR 7-9 | 1734040330 | 7 - 9 | 10 | 11 | 21,5 | 8 | |
| MSR 9-12 | 1734040340 | 9 - 12 | 10 | 12 | 24,5 | 8 | |
| MSR 11-17 | 1734040350 | 11 - 17 | 10 | 13,5 | 30 | 8 | |
| MSR 18-22 | 1734040360 | 18 - 22 | 10 | 22 | 39,5 | 8 | |
| MSR 22-30 | 1734040370 | 22 - 30 | 10 | 22,5 | 46,5 | 12 | |

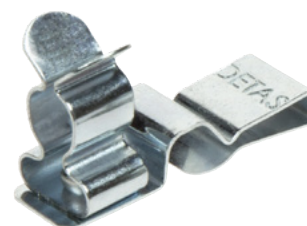
The MSB shield clamps enable the cable shield to be grounded easily and effectively. They secure the anti-tear function on the cable by fixing it with a cable tie.

The MSB shield clamps can be used on 10x3 bars.

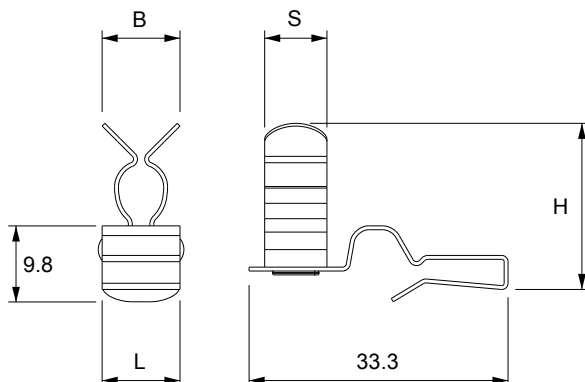
The anti-tear function complies with EN 62444 standards.

Technical data

Material: spring steel, zinc plated



Dimensions [mm]





Shield clamps without foot

- ▶ Suitable for a wide range of cables from 1,5 to 74 mm
- ▶ Ideal adherence to cable shielding
- ▶ Possibility to mount the springs easily, no need to use tools
- ▶ Constant pressure of the spring on the cable sheath without having to run tests and checks
- ▶ High vibration resistance, maintenance free



| Model | Code | Clamping range [mm] | Dimensions [mm] | | | Pcs /pack |
|-----------|--------------|---------------------|-----------------|------|----|-----------|
| | | | B | H | S | |
| MSS 1.5-3 | 1734010010 | 1,5 - 3 | 11 | 12 | 8 | 50 |
| MSS 3-6 | → MSS2 3-6 | | | | | |
| MSS 7-9 | → MSS2 7-9 | | | | | |
| MSS 9-12 | 1734010040 | 9 - 12 | 12 | 19 | 8 | 50 |
| MSS 11-17 | → MSS2 11-17 | | | | | |
| MSS 17-22 | → MSS2 18-22 | | | | | |
| MSS 22-30 | → MSS2 22-30 | | | | | |
| MSS 30-37 | 1734010080 | 30 - 37 | 40 | 55 | 12 | 10 |
| MSS 38-48 | 1734010090 | 38 - 48 | 40 | 64 | 12 | 10 |
| MSS 50-60 | 1734010095 | 50 - 60 | 50 | 74,5 | 12 | 10 |
| MSS 62-74 | 1734010100 | 62 - 74 | 62 | 88 | 12 | 10 |

The MSS shield clamps enable the cable shield to be grounded easily and effectively.

The MSS shield clamps can be fixed with screws or rivets.

Technical data

Material: spring steel, zinc plated

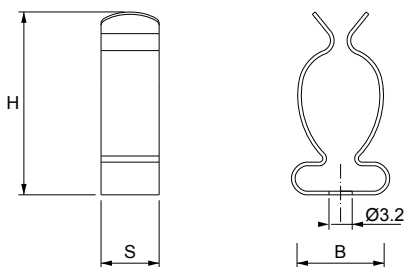
Related products

MB DIN rail bases



4

Dimensions [mm]





Shield clamps without foot

- ▶ Suitable for a wide range of cables from 1,5 to 22 mm
- ▶ Ideal adherence to cable shielding
- ▶ **Increased wings length for easier cable insertion**
- ▶ Constant pressure of the spring on the cable sheath without having to run tests and checks
- ▶ High vibration resistance



| Model | Code | Clamping range [mm] | Dimensions [mm] | | | Pcs /pack |
|------------|------------|---------------------|-----------------|------|----|-----------|
| | | | B | H | S | |
| MSS2 1.5-3 | 1734010210 | 1,5 - 3 | 11 | 13,5 | 8 | 50 |
| MSS2 3-6 | 1734010220 | 3 - 6 | 11 | 16 | 8 | 50 |
| MSS2 7-9 | 1734010230 | 7 - 9 | 11 | 18,5 | 8 | 50 |
| MSS2 9-12 | 1734010240 | 9 - 12 | 12 | 22 | 8 | 50 |
| MSS2 11-17 | 1734010250 | 11 - 17 | 13,5 | 27 | 8 | 50 |
| MSS2 18-22 | 1734010260 | 18 - 22 | 22 | 36,5 | 8 | 50 |
| MSS2 22-30 | 1734010270 | 22 - 30 | 22 | 43 | 12 | 10 |

The MSS2 shield clamps enable the cable shield to be grounded easily and effectively.

The MSS2 shield clamps can be fixed with screws or rivets.

Technical data

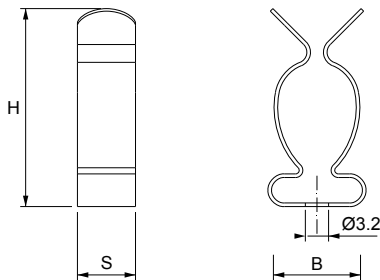
Material: spring steel, zinc plated

Related products

MB DIN rail bases



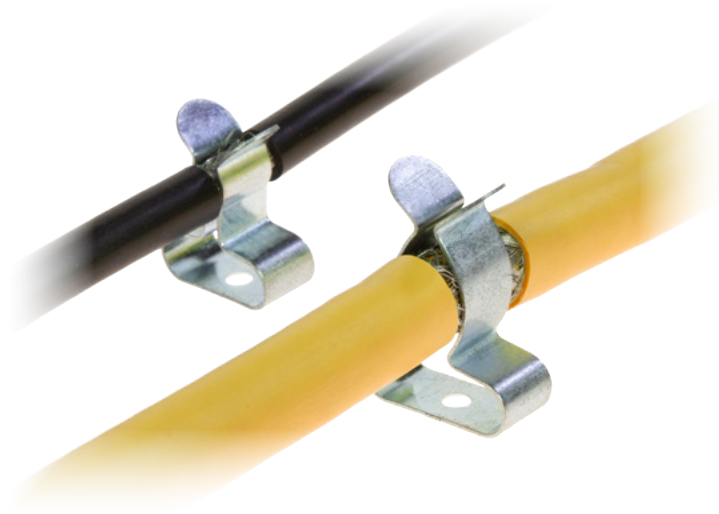
Dimensions [mm]





Extended range shielding clamps without foot

- ▶ Suitable for a wide range of cables from 3 to 19 mm
- ▶ Snap-in assembly, no need to use tools
- ▶ Ideal adherence to cable shielding
- ▶ Constant pressure of the spring on the cable sheath without having to run tests and checks
- ▶ High vibration resistance, maintenance free



| Model | Code | Clamping range [mm] | Dimensions [mm] | | | Pcs /pack |
|-----------|------------|---------------------|-----------------|------|---|-----------|
| | | | B | H | S | |
| MSL 3-9 | 1734010310 | 3 - 9 | 16,5 | 20,6 | 8 | 50 |
| MSL 10-19 | 1734010320 | 10 - 19 | 19,5 | 27 | 8 | |

The MSL shield clamps enable the cable shield to be grounded easily and effectively.

The MSL shield clamps can be fixed with screws or rivets.

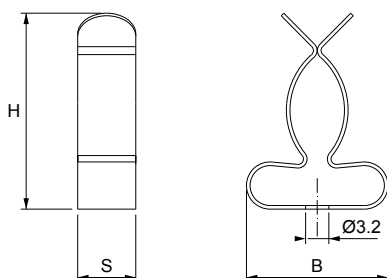
Technical data

Material: spring steel, zinc plated

Related products

MB DIN rail bases

Dimensions [mm]





Multiple EMC shielding

- ▶ Suitable for cable ranges from 1,5 to 12 mm
- ▶ Snap-in assembly, no need to use tools
- ▶ **Increased wings length for easier cable insertion**
- ▶ Constant pressure of the spring on the cable sheath without having to run tests and checks
- ▶ Saving installation time and money



| Model | Code | Cable nr. | Clamping range [mm] | Dimensions [mm] | | | Pcs /pack |
|---------------|------------|-----------|---------------------|-----------------|-----|------|-----------|
| | | | | B | L | H | |
| MSU 3x 1,5-3 | 1734030310 | 3 | 1,5 - 3 | 46 | 30 | 19,1 | 1 |
| MSU 3x 3-6 | 1734030320 | 3 | 3 - 6 | 46 | 30 | 21,6 | |
| MSU 3x 7-9 | 1734030330 | 3 | 7 - 9 | 46 | 30 | 24,0 | |
| MSU 3x 9-12 | 1734030340 | 3 | 9 - 12 | 46 | 30 | 27,2 | |
| MSU 4x 1,5-3 | 1734030410 | 4 | 1,5 - 3 | 61 | 30 | 19,1 | |
| MSU 4x 3-6 | 1734030420 | 4 | 3 - 6 | 61 | 30 | 21,6 | |
| MSU 4x 7-9 | 1734030430 | 4 | 7 - 9 | 61 | 30 | 24,0 | |
| MSU 4x 9-12 | 1734030440 | 4 | 9 - 12 | 61 | 30 | 27,2 | |
| MSU 5x 1,5-3 | 1734030510 | 5 | 1,5 - 3 | 72 | 46 | 19,1 | |
| MSU 5x 3-6 | 1734030520 | 5 | 3 - 6 | 72 | 46 | 21,6 | |
| MSU 5x 7-9 | 1734030530 | 5 | 7 - 9 | 72 | 46 | 24,0 | |
| MSU 5x 9-12 | 1734030540 | 5 | 9 - 12 | 72 | 46 | 27,2 | |
| MSU 6x 1,5-3 | 1734030610 | 6 | 1,5 - 3 | 88 | 62 | 19,1 | |
| MSU 6x 3-6 | 1734030620 | 6 | 3 - 6 | 88 | 62 | 21,6 | |
| MSU 6x 7-9 | 1734030630 | 6 | 7 - 9 | 88 | 62 | 24,0 | |
| MSU 6x 9-12 | 1734030640 | 6 | 9 - 12 | 88 | 62 | 27,2 | |
| MSU 7x 1,5-3 | 1734030710 | 7 | 1,5 - 3 | 104 | 78 | 19,1 | |
| MSU 7x 3-6 | 1734030720 | 7 | 3 - 6 | 104 | 78 | 21,6 | |
| MSU 7x 7-9 | 1734030730 | 7 | 7 - 9 | 104 | 78 | 24,0 | |
| MSU 7x 9-12 | 1734030740 | 7 | 9 - 12 | 104 | 78 | 27,2 | |
| MSU 8x 1,5-3 | 1734030810 | 8 | 1,5 - 3 | 120 | 94 | 19,1 | |
| MSU 8x 3-6 | 1734030820 | 8 | 3 - 6 | 120 | 94 | 21,6 | |
| MSU 8x 7-9 | 1734030830 | 8 | 7 - 9 | 120 | 94 | 24,0 | |
| MSU 8x 9-12 | 1734030840 | 8 | 9 - 12 | 120 | 94 | 27,2 | |
| MSU 9x 1,5-3 | 1734030910 | 9 | 1,5 - 3 | 140 | 116 | 19,1 | |
| MSU 9x 3-6 | 1734030920 | 9 | 3 - 6 | 140 | 116 | 21,6 | |
| MSU 9x 7-9 | 1734030930 | 9 | 7 - 9 | 140 | 116 | 24,0 | |
| MSU 9x 9-12 | 1734030940 | 9 | 9 - 12 | 140 | 116 | 27,2 | |
| MSU 10x 1,5-3 | 1734031010 | 10 | 1,5 - 3 | 150 | 126 | 19,1 | |
| MSU 10x 3-6 | 1734031020 | 10 | 3 - 6 | 150 | 126 | 21,6 | |
| MSU 10x 7-9 | 1734031030 | 10 | 7 - 9 | 150 | 126 | 24,0 | |
| MSU 10x 9-12 | 1734031040 | 10 | 9 - 12 | 150 | 126 | 27,2 | |
| MSU 11x 1,5-3 | 1734031110 | 11 | 1,5 - 3 | 166 | 140 | 19,1 | |
| MSU 11x 3-6 | 1734031120 | 11 | 3 - 6 | 166 | 140 | 21,6 | |
| MSU 11x 7-9 | 1734031130 | 11 | 7 - 9 | 166 | 140 | 24,0 | |
| MSU 11x 9-12 | 1734031140 | 11 | 9 - 12 | 166 | 140 | 27,2 | |
| MSU 12x 1,5-3 | 1734031210 | 12 | 1,5 - 3 | 182 | 156 | 19,1 | |
| MSU 12x 3-6 | 1734031220 | 12 | 3 - 6 | 182 | 156 | 21,6 | |
| MSU 12x 7-9 | 1734031230 | 12 | 7 - 9 | 182 | 156 | 24,0 | |
| MSU 12x 9-12 | 1734031240 | 12 | 9 - 12 | 182 | 156 | 27,2 | |

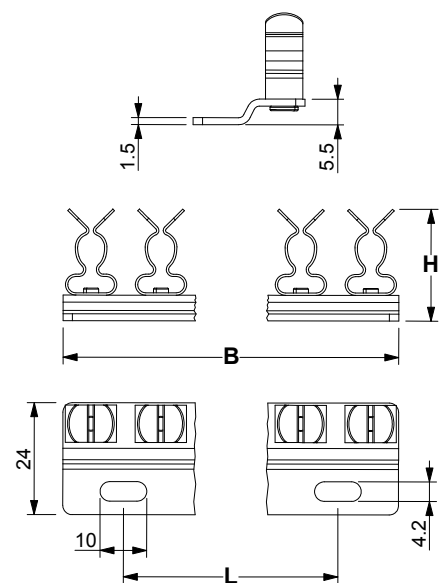
The multiple EMC shielding clamps can shorten the mounting time and space of a multitude of single clips.

The base of the clips is fixed with two M4 screws. Custom solutions are welcome.

Technical data

Material: SS304 stainless steel (base)
- spring steel, zinc plated (clips)

Dimensions [mm]



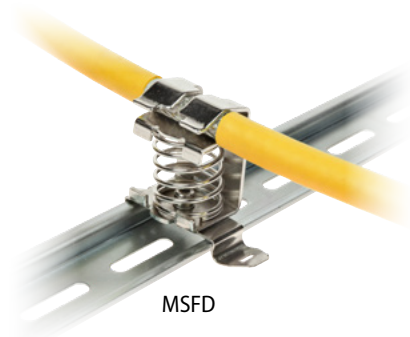
4



MSF / MSFD

Spring shield clamps

- ▶ Suitable for a range of cables from 3 to 32 mm
- ▶ MSFD: version with base for DIN/Omega rail
- ▶ Constant pressure of the spring on the cable sheath without having to run tests and checks



MSFD



MSF

| Model | Code | Clamping range [mm] | Dimensions [mm] | | | Pcs /pack |
|-------------|------------|---------------------|-----------------|------|------|-----------|
| | | | H | L | B | |
| MSFD 3-8 | 1734020310 | 3-8 | 26,0 | 50,0 | 14,5 | 1 |
| MSF 4-13,5 | 1734020315 | 4-13,5 | 30,0 | 18,0 | 15,0 | |
| MSFD 4-13,5 | 1734020320 | 4-13,5 | 30,0 | 50,5 | 20,5 | |
| MSF 10-20 | 1734020325 | 10-20 | 40,0 | 26,0 | 25,0 | |
| MSFD 10-20 | 1734020330 | 10-20 | 40,0 | 50,5 | 25,0 | |
| MSF 15-32 | 1734020335 | 15-32 | 64,0 | 32,0 | 36,0 | |
| MSFD 15-32 | 1734020340 | 15-32 | 64,0 | 50,5 | 34,5 | |

The MSF/MSFD shield clamps enable the cable shield to be grounded easily and effectively. They secure the strain relief function thanks to the spring which maintains constant pressure on the cable braid.

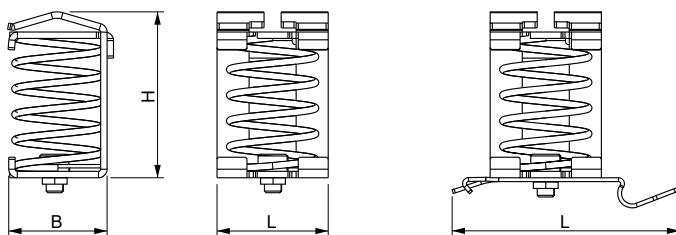
Technical data

Material: steel



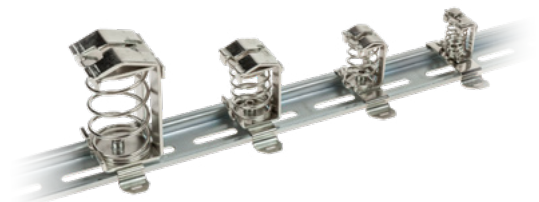
4

Dimensions [mm]



MSF

MSFD





Shield clamps for printed circuit boards

- ▶ Suitable for a cable ranges from 1,5 to 9 mm
- ▶ Direct mounting on PCB
- ▶ **Increased wings length for easier cable insertion**
- ▶ Constant pressure of the spring on the cable sheath without having to run tests and checks



| Model | Code | Clamping range [mm] | Clamp dimensions H [mm] | Pcs /pack |
|-----------|------------|---------------------|-------------------------|-----------|
| MSC 1.5-3 | 1734060001 | 1,5 - 3 | 18 | 50 |
| MSC 3-6 | 1734060003 | 3 - 6 | 20,5 | |
| MSC 7-9 | 1734060006 | 7 - 9 | 23 | |

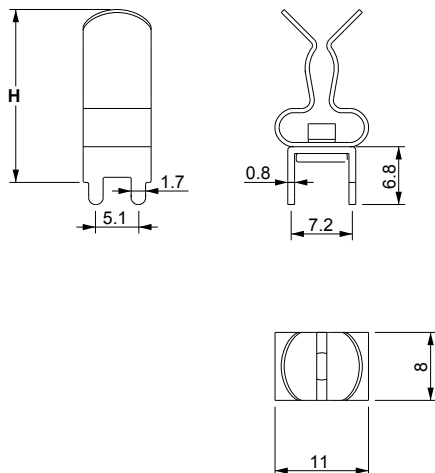
The MSC shield clamps enable the cable shield to be grounded easily and effectively. They secure the anti-tear function on the cable.

The MSC shield clamp is fixed and soldered directly on the PCB.

Technical data

Material: spring steel, zinc plated, base in tinned brass

Dimensions [mm]

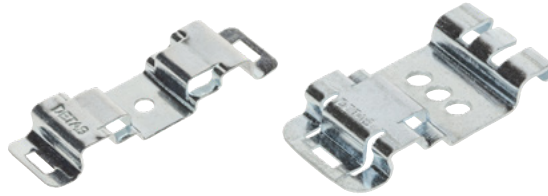




MB

35 mm DIN RAIL bases

- ▶ Steel clips for installation of several devices on DIN 35mm rail
- ▶ Quick installation with rivets
- ▶ Strong and secure fixing



| Model | Code | Dimensions [mm] | | | Pcs /pack |
|-------|------------|-----------------|------|-----|-----------|
| | | B | H | S | |
| MB14 | 1734000150 | 14 | 45,1 | 6,2 | 50 |
| MB22 | 1734000100 | 22 | 42,6 | 6,3 | |

The MB DIN rail bases are used as quick and solid installation of any kind of device on the 35mm DIN rail. Any device can be fixed to the base with rivets.

Technical data

Material: spring steel, zinc plated

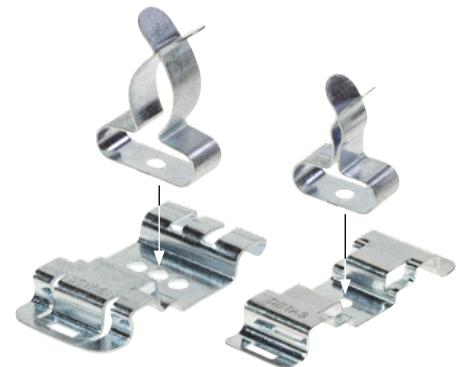
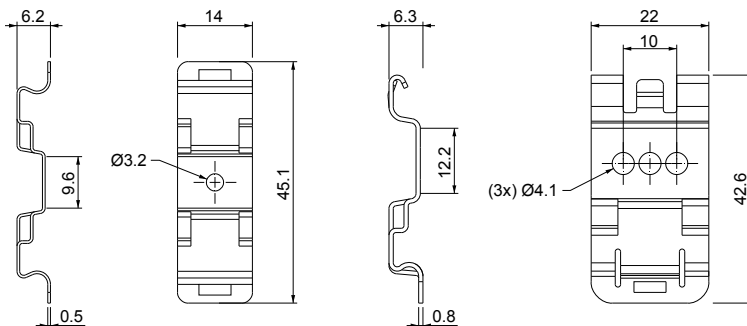
Related products

MSS shield clamps

MSS2 shield clamps

MSL shield clamps

Dimensions [mm]





Box with shield clamp samples

- ▶ 163 shield clamps
- ▶ Wide choice of models with different fixings
- ▶ Price savings compared to separate purchase of each part
- ▶ Practical, transportable box



| Model | Code | Dimensions [mm] | Pcs |
|---------------------|------------|--------------------|-----|
| Engineering Box EMC | 1734090100 | 370 x 300 x 90 | 1 |

Practical box containing 163 shield clamps, various dimensions and fixing methods are available.

Thanks to the wide choice it is possible to select the most suitable model for the specific application.

| BOX CONTENT | |
|-------------|-------------|
| Pcs | Model |
| 10 | MB14 |
| 10 | MB22 |
| 20 | MSL 3-9 |
| 20 | MSL 10-19 |
| 5 | MSS 22-30 |
| 5 | MSS 30-37 |
| 4 | MSS 38-48 |
| 3 | MSD 22-30 |
| 3 | MSD 30-37 |
| 3 | MSD 38-48 |
| 10 | MSD2L 3-9 |
| 10 | MSD2L 10-19 |
| 10 | MSBL 3-9 |
| 10 | MSBL 10-19 |
| 10 | MSAL 3-9 |
| 10 | MSAL 10-19 |
| 10 | MSEL 3-9 |
| 10 | MSEL 10-19 |



Earthing straps

- ▶ Sections from 6 to 25 mm²
- ▶ Custom solutions available
- ▶ Sections up to 95 mm² on request
- ▶ High conductivity



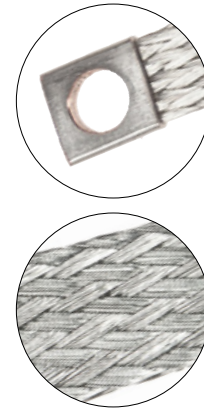
| Model | Code | Section [mm ²] | Dimensions [mm] | | | |
|----------------|------------|-------------------------------|-----------------|----|----|----|
| | | | L | W | X | D |
| CTX-6/200/M6 | 1734080010 | 6 | 200 | 11 | 13 | 7 |
| CTX-6/250/M6 | 1734080015 | 6 | 250 | 11 | 13 | 7 |
| CTX-6/300/M6 | 1734080020 | 6 | 300 | 11 | 13 | 7 |
| CTX-6/400/M6 | 1734080025 | 6 | 400 | 11 | 13 | 7 |
| CTX-6/500/M6 | 1734080030 | 6 | 500 | 11 | 13 | 7 |
| CTX-10/100/M6 | 1734080035 | 10 | 100 | 17 | 23 | 7 |
| CTX-10/100/M8 | 1734080040 | 10 | 100 | 17 | 23 | 9 |
| CTX-10/150/M8 | 1734080045 | 10 | 150 | 17 | 23 | 9 |
| CTX-10/200/M6 | 1734080050 | 10 | 200 | 17 | 23 | 7 |
| CTX-10/200/M8 | 1734080055 | 10 | 200 | 17 | 23 | 9 |
| CTX-10/250/M6 | 1734080060 | 10 | 250 | 17 | 23 | 7 |
| CTX-10/300/M6 | 1734080065 | 10 | 300 | 17 | 23 | 7 |
| CTX-10/300/M8 | 1734080070 | 10 | 300 | 17 | 23 | 9 |
| CTX-10/400/M6 | 1734080075 | 10 | 400 | 17 | 23 | 7 |
| CTX-10/400/M8 | 1734080080 | 10 | 400 | 17 | 23 | 9 |
| CTX-10/500/M6 | 1734080085 | 10 | 500 | 17 | 23 | 7 |
| CTX-16/100/M6 | 1734080090 | 16 | 100 | 17 | 23 | 7 |
| CTX-16/100/M8 | 1734080095 | 16 | 100 | 17 | 23 | 9 |
| CTX-16/150/M6 | 1734080100 | 16 | 150 | 17 | 23 | 7 |
| CTX-16/150/M8 | 1734080105 | 16 | 150 | 17 | 23 | 9 |
| CTX-16/200/M6 | 1734080110 | 16 | 200 | 17 | 23 | 7 |
| CTX-16/200/M8 | 1734080115 | 16 | 200 | 17 | 23 | 9 |
| CTX-16/250/M8 | 1734080120 | 16 | 250 | 17 | 23 | 9 |
| CTX-16/300/M6 | 1734080125 | 16 | 300 | 17 | 23 | 7 |
| CTX-16/300/M8 | 1734080130 | 16 | 300 | 17 | 23 | 9 |
| CTX-16/350/M8 | 1734080135 | 16 | 350 | 17 | 23 | 9 |
| CTX-16/400/M8 | 1734080140 | 16 | 400 | 17 | 23 | 9 |
| CTX-16/500/M8 | 1734080145 | 16 | 500 | 17 | 23 | 9 |
| CTX-16/600/M8 | 1734080150 | 16 | 600 | 17 | 23 | 9 |
| CTX-25/100/M10 | 1734080155 | 25 | 100 | 23 | 23 | 11 |
| CTX-25/150/M10 | 1734080160 | 25 | 150 | 23 | 23 | 11 |
| CTX-25/200/M8 | 1734080165 | 25 | 200 | 23 | 23 | 9 |
| CTX-25/200/M10 | 1734080170 | 25 | 200 | 23 | 23 | 11 |
| CTX-25/250/M8 | 1734080175 | 25 | 250 | 23 | 23 | 9 |
| CTX-25/300/M8 | 1734080180 | 25 | 300 | 23 | 23 | 9 |
| CTX-25/300/M10 | 1734080185 | 25 | 300 | 23 | 23 | 11 |
| CTX-25/350/M10 | 1734080190 | 25 | 350 | 23 | 23 | 11 |
| CTX-25/400/M8 | 1734080195 | 25 | 400 | 23 | 23 | 9 |
| CTX-25/500/M8 | 1734080200 | 25 | 500 | 23 | 23 | 9 |
| CTX-25/600/M8 | 1734080205 | 25 | 600 | 23 | 23 | 9 |

The CTX flexible earthing straps are made of tinned copper braided wires.

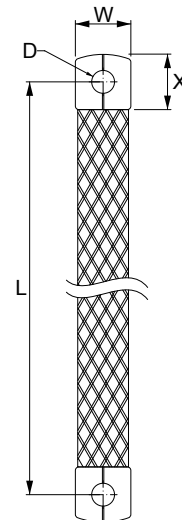
Pure Cu-ETP - ASTM C11000 copper enables an excellent ground connection.

Technical data

Material: tinned copper >99,95%



Dimensions [mm]



Splittable frames for cable shielding

- ▶ Multiple configurations with small and large grommets
- ▶ Frame screws in AISI304 Stainless Steel
- ▶ Sturdy construction IK10
- ▶ High levels of EMI shielding
- ▶ Anti-static protection
- ▶ Threaded inserts version on request



| Model | Code | Dimensions [mm] | Max. cut-out [mm] | Pcs /pack |
|------------|------------|-----------------|-------------------|-----------|
| DES 24 EMC | 1734014024 | 146 x 61 | 112 x 39 | 10 |
| DES 16 EMC | 1734014016 | 120 x 61 | 86 x 39 | |
| DES 10 EMC | 1734014010 | 99 x 61 | 63 x 39 | |
| DES Q EMC | 1734014008 | 74 x 61 | 40 x 39 | |
| DES L2 EMC | 1734014002 | 74 x 41 | 40 x 18 | |
| DES L3 EMC | 1734014003 | 99 x 41 | 63 x 18 | |
| DES L4 EMC | 1734014004 | 120 x 41 | 86 x 18 | |
| DES L5 EMC | 1734014005 | 146 x 41 | 112 x 18 | |

The DES EMC splittable frames are used when is necessary to ground shielded cables in fast and efficient way.

The cable outer sheath is removed and directly connected to the EMI acrylic coating which is in contact with the metal panel thanks to the fixing screws.

Technical data

Material: PP+GF, EMI acrylic coating

Flammability: self-extinguishing acc. to UL94-V0

Temperature: -40°C... +155°C (static)

Features: halogens and silicones free

Related products

SPG EMC grommets

SPP EMC grommets

DES Cover

DES Flap

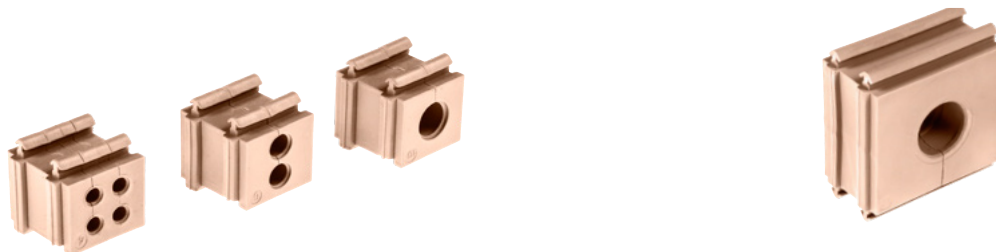
HY360 hydraulic punch driver

PF cable entry system plates



Cable grommets small and large

- ▶ Grommets for cables from 2 to 35 mm diameter
- ▶ "Blind" version available
- ▶ UL94-V0



| Model | Code | Ø Cable [mm] | Pcs /pack |
|-------------|------------|--------------|-----------|
| | | | |
| SPP 0 EMC | 1734024100 | "blind" | 10 |
| SPP 2 EMC | 1734024102 | 2-3 | |
| SPP 3 EMC | 1734024103 | 3-4 | |
| SPP 4 EMC | 1734024104 | 4-5 | |
| SPP 5 EMC | 1734024105 | 5-6 | |
| SPP 6 EMC | 1734024106 | 6-7 | |
| SPP 7 EMC | 1734024107 | 7-8 | |
| SPP 8 EMC | 1734024108 | 8-9 | |
| SPP 9 EMC | 1734024109 | 9-10 | |
| SPP 10 EMC | 1734024110 | 10-11 | |
| SPP 11 EMC | 1734024111 | 11-12 | |
| SPP 12 EMC | 1734024112 | 12-13 | |
| SPP 13 EMC | 1734024113 | 13-14 | |
| SPP 14 EMC | 1734024114 | 14-15 | |
| SPP 15 EMC | 1734024115 | 15-16 | |
| SPP 16 EMC | 1734024116 | 16-17 | |
| | | | |
| SPP 2x2 EMC | 1734024304 | 2 x 2 | 10 |
| SPP 2X3 EMC | 1734024306 | 2 x 3 | |
| SPP 2X4 EMC | 1734024308 | 2 x 4 | |
| SPP 2X5 EMC | 1734024310 | 2 x 5 | |
| SPP 2X6 EMC | 1734024312 | 2 x 6 | |
| SPP 2X7 EMC | 1734024314 | 2 x 7 | |
| SPP 2X8 EMC | 1734024316 | 2 x 8 | |
| | | | |
| SPP 4X2 EMC | 1734024318 | 4 x 2 | 10 |
| SPP 4X3 EMC | 1734024320 | 4 x 3 | |
| SPP 4X4 EMC | 1734024322 | 4 x 4 | |
| SPP 4X5 EMC | 1734024324 | 4 x 5 | |
| SPP 4X6 EMC | 1734024326 | 4 x 6 | |

| Model | Code | Ø Cable [mm] | Pcs /pack |
|------------|------------|--------------|-----------|
| | | | |
| SPG 0 EMC | 1734024000 | "blind" | 10 |
| SPG 17EMC | 1734024117 | 17-18 | |
| SPG 18 EMC | 1734024118 | 18-19 | |
| SPG 19 EMC | 1734024119 | 19-20 | |
| SPG 20 EMC | 1734024120 | 20-21 | |
| SPG 21 EMC | 1734024121 | 21-22 | |
| SPG 22 EMC | 1734024122 | 22-23 | |
| SPG 23 EMC | 1734024123 | 23-24 | |
| SPG 24 EMC | 1734024124 | 24-25 | |
| SPG 25 EMC | 1734024125 | 25-26 | |
| SPG 26 EMC | 1734024126 | 26-27 | |
| SPG 27 EMC | 1734024127 | 27-28 | |
| SPG 28 EMC | 1734024128 | 28-29 | |
| SPG 29 EMC | 1734024129 | 29-30 | |
| SPG 30 EMC | 1734024130 | 30-31 | |
| SPG 31 EMC | 1734024131 | 31-32 | |
| SPG 32 EMC | 1734024132 | 32-33 | |
| SPG 33 EMC | 1734024133 | 33-34 | |
| SPG 34 EMC | 1734024134 | 34-35 | |

4

The EMC grommets enable several cables from 2 to 35 mm diameter to be installed in the DES EMC splittable frame.

The 2X and 4X versions allow multiple cables in the same grommet.

Technical data

Material: TPE, EMI acrylic coating

Flammability: self-extinguishing acc. to UL94-V0

Temperature: -40°C... +110°C (static)

Features: halogens and silicones free

Related products

DES EMC

IP66

NEMA 12, 4X

HL3
EN 45545-2



ECOLAB

UL94-V0

UV
ISO 4892-2A

RoHS COMPLIANT

Group 5

Splittable corrugated pipes





Splittable corrugated pipes

- ▶ Splittable double pipes
- ▶ Suitable for cables with connectors
- ▶ Easy openable during maintenance procedure



| Model | Code | Pipe [mm] | | Clip compatible | Pcs /pack |
|-------|------------|------------|------------|-----------------|-----------------|
| | | Ø external | Ø internal | | |
| FL 10 | 1735010010 | 10 | 6 | FW 10 | multiple of 5 m |
| FL 14 | 1735010014 | 14 | 9 | FW 14 | |
| FL 16 | 1735010016 | 16 | 11 | FW 16 | |
| FL 19 | 1735010020 | 19 | 13 | FW 19 | |
| FL 22 | 1735010022 | 22 | 16 | FW 22 | |
| FL 26 | 1735010026 | 26 | 19,5 | FW 26 | |
| FL 32 | 1735010032 | 31,3 | 23,7 | FW 32 | |
| FL 35 | 1735010035 | 35,5 | 27,3 | FW 35 | |
| FL 42 | 1735010042 | 41,4 | 31 | FW 42 | |
| FL 54 | 1735010054 | 54 | 43 | FW 54 | |
| FL 80 | 1735010080 | 80 | 66 | -- | |

The splittable corrugated pipes FL can be used for cables with and without connectors.

The double pipe allow maintenance operation or changes easily and saving times, especially with pre-terminated cables.

Technical data

Material: PP

Flammability: self-extinguishing acc. to UL94-V2

Temperature: -40°C... +110°C (static)

Features: halogens and silicones free

Related products

FW Clips for corrugated tubes



Clips for corrugated pipes

- ▶ Easy installation, tool free
- ▶ V2 Self-extinguishing



| Model | Code | Ø [mm] | Pcs /pack |
|-------|------------|-----------|--------------|
| FW 10 | 1735030010 | 10 | 10 |
| FW 14 | 1735030013 | 13 | |
| FW 16 | 1735030015 | 15,8 | |
| FW 19 | 1735030018 | 18,5 | |
| FW 22 | 1735030021 | 21,2 | |
| FW 26 | 1735030025 | 25 | |
| FW 32 | 1735030028 | 28,8 | |
| FW 35 | 1735030034 | 34,5 | |
| FW 42 | 1735030042 | 42,5 | |
| FW 54 | 1735030054 | 54,5 | |

The FW holders are use for the corrugated pipes fixing.

They can be used with or without cover which ensures more stability to the pipe in case of curves or vibrations.

Technical data

Material: PA

Flammability: self-extinguishing acc. to UL94-V2

Temperature: -40°C... +110°C (static)

Features: halogens and silicones free

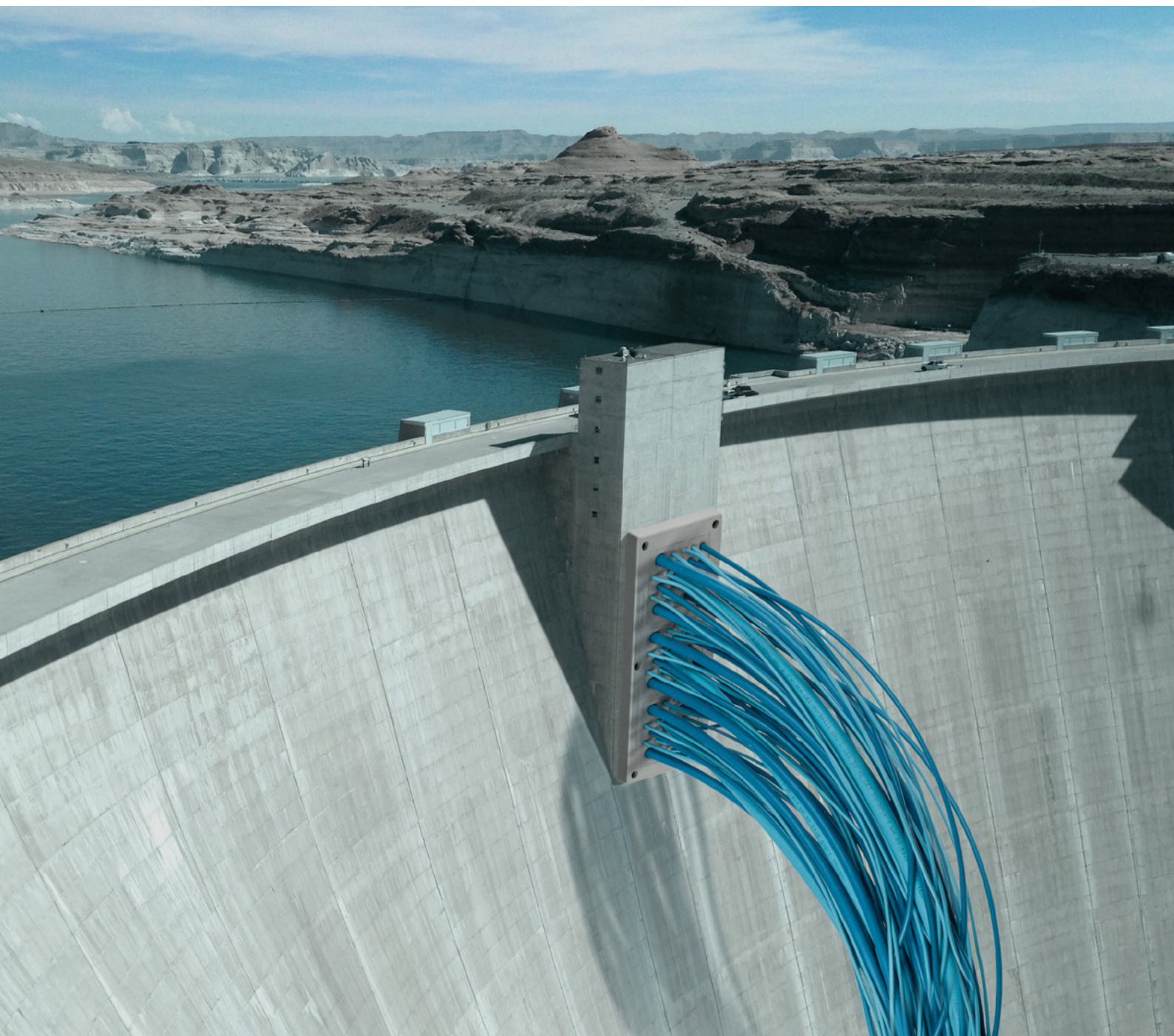
Related products

FL Splittable corrugated tubes



Group 6

Accessories





Hydraulic punch driver for round and rectangular cut-outs

- ▶ Hand punch driver with rotating 360° head
- ▶ Thanks to its low weight, the punch driver can be used by one person only
- ▶ The punch driver produces a hydraulic power of 120 kN and can be used for stainless steel walls with a maximum thickness of 3,5 mm
- ▶ All the available punches are compatible with our products



| Model | Code | Dimensions [mm] | Pcs /pack |
|--|------------|-----------------|-----------|
| Hydraulic punch driver HY360 | 1736010100 | | 1 |
| Rectangular punch for DES 24 | 1736010024 | 108 x 39 | 1 |
| Rectangular punch for DES 16 | 1736010016 | 86 x 39 | |
| Rectangular punch for DES 10 | 1736010010 | 63 x 39 | |
| Rectangular punch for DES Q | 1736010008 | 40 x 39 | |
| Rectangular punch for DES L2 | 1736010002 | 40 x 22 | |
| Rectangular punch for DES L3 | 1736010003 | 63 x 22 | |
| Rectangular punch for DES L4 | 1736010004 | 86 x 22 | |
| Rectangular punch for DES L5 | 1736010005 | 108 x 22 | |
| Rectangular punch for DES PM 24 and DES PDM 24 | 1736010124 | 112 x 36 | |
| Rectangular punch for DES PDM Q | 1736010108 | 46 x 46 | |
| Round punch M22 | 1736010022 | Ø 22.5 | 1 |
| Round punch M25 | 1736010025 | Ø 25.5 | |
| Round punch M32 | 1736010032 | Ø 32.5 | |
| Round punch M40 | 1736010040 | Ø 40.5 | |
| Round punch M50 | 1736010050 | Ø 50.5 | |
| Round punch M63 | 1736010063 | Ø 63.5 | |

Technical data

Material: Aluminum alloy, steel punches

Hydraulic power: 120 kN

Weight: 2,5 kg



Rectangular punch



Round punch



Cable entry system plates

- ▶ Compatible with Rittal AE cabinets
- ▶ Type 16 and 24 holes

The PF adapter plates are compatible with Rittal cabinets and are equipped with 24 and 16 poles heavy connectors opening. They are fixed with screws and can be provided according to the quantity of the cables that need to be routed inside the cabinet.

Technical data

Material: Painted zinc plated steel

Related products

DES 24 DES FLAP DES Z
 DES 16 DES COVER DES ZZ
 DES PDM 24



| Model | Code | Dimensions [mm] | Appearance | Type | Pcs /pack |
|-------|------------|-----------------|------------|------|-----------|
| PF 2 | 1736020020 | 330 x 90 x 2,5 | | 2x24 | 1 |
| PF 3 | 1736020030 | 339 x 149 x 2,5 | | 2x24 | |
| PF 4 | 1736020040 | 339 x 149 x 2,5 | | 4x24 | |
| PF 5 | 1736020050 | 534 x 149 x 2,5 | | 4x16 | |
| PF 6 | 1736020060 | 534 x 149 x 2,5 | | 3x24 | |
| PF 7 | 1736020070 | 534 x 149 x 2,5 | | 6x24 | |



Cable entry system plates

- ▶ Compatible with Rittal AE cabinets
- ▶ Holes for DES 24MX and DES 380



The PF cable entry system are compatible with AE Rittal cabinets and can be equipped with DES 24MX and DES 380M spittable cable entry system frames.

Technical data

Material: Painted
zinc plated steel

Prodotti correlati

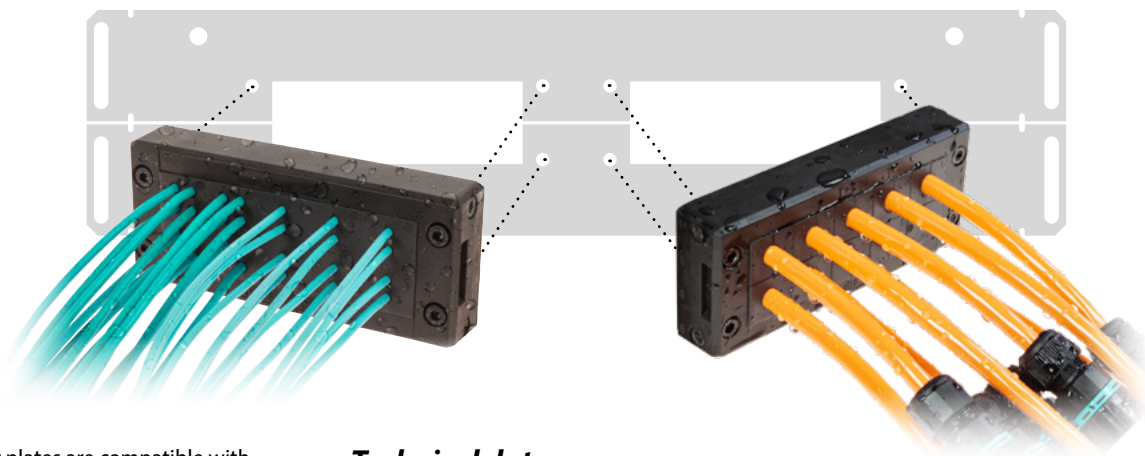
DES 24MX2 DES 380M
DES 380MX3

| Model | Code | Dimensions [mm] | Appearance | Type | Pcs /pack |
|-------|------------|--------------------|------------|-------------------------------|--------------|
| PFD1 | 1736020080 | 339 x 149 x 2,5 | | 2x DES 24MX2 | 1 |
| PFD2 | 1736020090 | 339 x 149 x 2,5 | | 1x DES 380M 1x DES 24MX2 | |
| PFD3 | 1736020100 | 339 x 149 x 2,5 | | 1x DES 380MX3 | |
| PFD4 | 1736020110 | 534 x 149 x 2,5 | | 3x DES 24MX2 | |
| PFD5 | 1736020120 | 534 x 149 x 2,5 | | 1x DES 380M 2x DES 24MX2 | |
| PFD6 | 1736020130 | 534 x 149 x 2,5 | | 1x DES 380MX3 1x DES 24MX2 | |



Splittable cable entry plates

- ▶ Compatible with Rittal VX 25 cabinets
- ▶ Type 24 cut-out
- ▶ Threaded hole for rapid mounting of cable entry systems



The PFX adapter plates are compatible with Rittal cabinets and are equipped with 24 holes heavy connectors opening.

After they are placed on the bottom panel, the cable entry systems can be mounted thanks to the threaded holes.

The overmolded gasket on DES series guarantees faster installation times.

Technical data

Material: Painted zinc plated steel

Related products

| | |
|------------|--------------|
| DES 24 | DES FLAP 24 |
| DES 24M | DES COVER 24 |
| DES 24-90 | DES Z 24 |
| DES PDM 24 | DES ZZ 24 |

| Model | Code | Dimensions [mm] | Hole distance [mm] | Appearance | Pcs /pack |
|-------------|------------|-----------------|--------------------|------------|-----------|
| PFX-600 | 1736020600 | 488 x 100 x 1,5 | 475 | | 1 |
| PFX-800 | 1736020800 | 688 x 100 x 1,5 | 675 | | |
| PFX-1000-2* | 1736021000 | 438 x 100 x 1,5 | 425 | | |

* for double door models.



Brushes for Rittal cabinets

- ▶ Snap-in assembly
- ▶ Compatible with Rittal cabinet
- ▶ For sheet metal thickness from 1 to 2 mm
- ▶ Customizations for a few pieces
- ▶ The brushes allow the passage of a high number of cables



| Model | Code | Length [L] [mm] | Pcs /pack |
|----------|------------|--------------------|--------------|
| SQZ 600 | 1736030006 | 600 | 1 |
| SQZ 800 | 1736030008 | 800 | |
| SQZ 1000 | 1736030010 | 1000 | |
| SQZ 1200 | 1736030012 | 1200 | |

The SQZ brushes are compatible with the main models of Rittal cabinets.

Cables can come out throughout the length of the bottom panel.

Easy snap-in assembly.

For sheet metal thickness from 1 to 2 mm.

Technical data

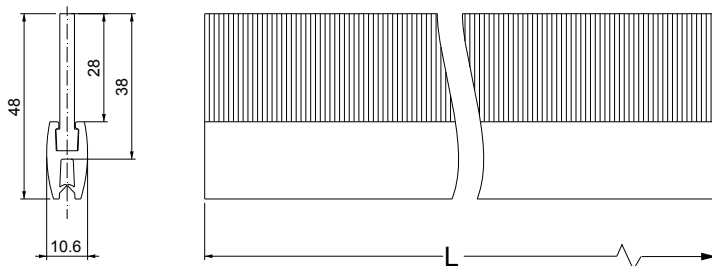
Material: PA

Flammability: self-extinguishing acc. to UL94-V0

Temperature: -25°C... +80°C (static)

Features: halogens and silicones free

Dimensions [mm]





DemoBox Deluxe

DemoBox for DetasUltra products

- ▶ Updated with the latest products
- ▶ Dedicated to customers and distributors: it shows the quality and the variety of the DetasUltra solutions



| Model | Code | Dimensions [mm] | Pcs |
|----------------|------------|-----------------|-----|
| DemoBox Deluxe | 1736999840 | 460 x 360 x 90 | 1 |

| BOX CONTENT | |
|--------------------|---|
| Pcs | Model |
| 3 | Splittable frames |
| 4 | Splittable cable glands |
| 2 | Splittable frames with brush |
| 10 | SPP single grommets |
| 4 | SPP multiple grommets |
| 2 | SPG large grommets |
| 1 | Snap-in connection |
| 1 | Closing plate |
| 5 | Cable entry plates without internal frame |
| 5 | Cable entry plates with internal frame |
| 3 | Strain relief modules |
| 5 | Shield clamps |
| 1 | M5 screwdriver |
| DetasUltra gadgets | |



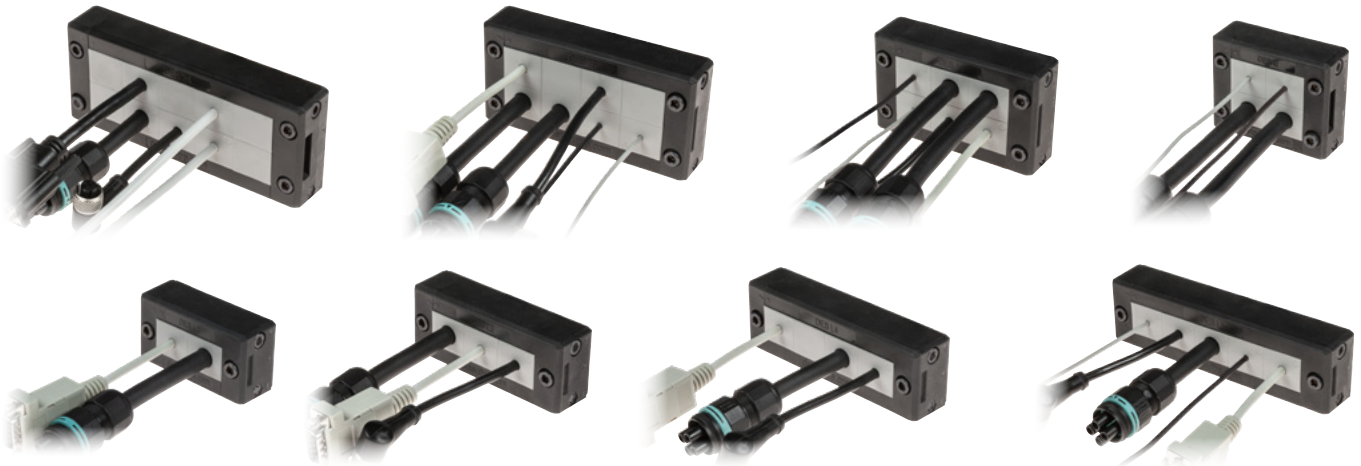
Group 7

Frames and plates ATEX





Splittable frames for cables with and without connectors



| Model | Code | Dimensions [mm] | Cut-out [mm] | Pcs /pack |
|---------------|------------|---|-----------------|--------------|
| DES 24A | 1731310024 | 146 x 61 | 112 x 39 | 1 |
| DES 16A | 1731310016 | 120 x 61 | 86 x 39 | |
| DES 10A | 1731310010 | 99 x 61 | 63 x 39 | |
| DES QA | 1731310008 | 74 x 61 | 40 x 39 | |
| DES L2A | 1731310002 | 74 x 41 | 40 x 18 | |
| DES L3A | 1731310003 | 99 x 41 | 63 x 18 | |
| DES L4A | 1731310004 | 120 x 41 | 86 x 18 | |
| DES L5A | 1731310005 | 146 x 41 | 112 x 18 | |
| Upon request: | 1731991020 | Set of 4 mounting screws in AISI304 with Black Dacromet finishing | | |

The DES cable entry system consists of a splittable frame designed to accommodate small (SPP), multiple (X) or large (SPG) grommets for cables with and without connectors. The grommets can be freely positioned into the frame.

The overmolded gasket guarantees faster installation times and the complete V0 self-extinguishing of the system.

DES ATEX series can be used in zone 2 and 22 according to IEC 60079-10.

Technical data

Material: PP+GF

Flammability: self-extinguishing acc. to UL94-V0

Temperature: -40°C... +155°C (static)

Features: halogens and silicones free

Related products

SPP grommets (from page 40)

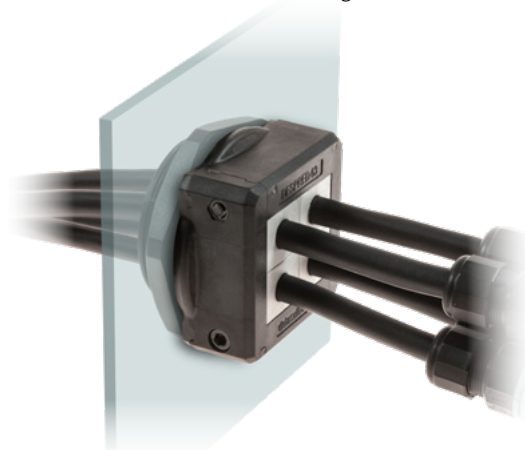
SPG grommets (from page 47)

HY360 hydraulic punch driver

PF cable entry system plates

Divisible cable gland with locknut

- ▶ Frame screws in AISI304 Stainless Steel with Black Dacromet finishing
- ▶ M25, M32 and M63 metric sizes
- ▶ IP66 and Nema 4X* certified
- ▶ Strain relief according to EN 62444
- ▶ Sturdy construction IK10
- ▶ Integrated gasket



| Model | Code | Some possible configurations | Cut-out Ø [mm] | Pcs /pack |
|-------------|------------|------------------------------|-------------------|--------------|
| DESPRED 25A | 1731350025 | | 25,5 | 10 |
| DESPRED 32A | 1731350032 | | 32,5 | |
| DESPRED 63A | 1731350063 | | 63,5 | |

The DESPRED series are divisible cable glands for metric threads.

The 63 model can be used with small, multiple and large grommets for cables up to 34 mm diameter. With multiple grommets it is possible to accommodate up to 16 cables. Future cable size changes can also be easily accommodated using various grommets.

DESPRED ATEX series can be used in zone 2 and 22 according to IEC 60079-10.

Technical data

Material: PP+GF

Flammability: self-extinguishing acc. to UL94-V0

Temperature: -40°C... +155°C (static)

Features: halogens and silicones free

Related products

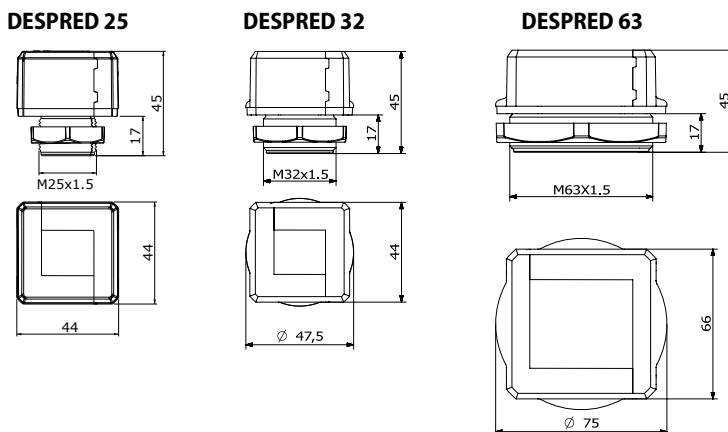
SPP grommets (from page 40)

SPG grommets (from page 47)

HY360 hydraulic punch driver

Divisible locknuts (page 35-36)

Dimensions [mm]



* Indoor only



DES grommets - small: single, double and quadruple

- ▶ Grommets for cables from 2 to 17 mm diameter
- ▶ "Blind" version available
- ▶ Grey and black colours available
- ▶ UL94-V0 for both colours



| Model | Code | Ø Cable [mm] | Model | Code | Pcs /pack |
|-----------|------------|--------------|-----------|------------|-----------|
| | | ◻ | | | |
| SPP 0GA | 1731320100 | "blind" | SPP 0BA | 1731320200 | 10 |
| SPP 2GA | 1731320102 | 2-3 | SPP 2BA | 1731320202 | |
| SPP 3GA | 1731320103 | 3-4 | SPP 3BA | 1731320203 | |
| SPP 4GA | 1731320104 | 4-5 | SPP 4BA | 1731320204 | |
| SPP 5GA | 1731320105 | 5-6 | SPP 5BA | 1731320205 | |
| SPP 6GA | 1731320106 | 6-7 | SPP 6BA | 1731320206 | |
| SPP 7GA | 1731320107 | 7-8 | SPP 7BA | 1731320207 | |
| SPP 8GA | 1731320108 | 8-9 | SPP 8BA | 1731320208 | |
| SPP 9GA | 1731320109 | 9-10 | SPP 9BA | 1731320209 | |
| SPP 10GA | 1731320110 | 10-11 | SPP 10BA | 1731320210 | |
| SPP 11GA | 1731320111 | 11-12 | SPP 11BA | 1731320211 | |
| SPP 12GA | 1731320112 | 12-13 | SPP 12BA | 1731320212 | |
| SPP 13GA | 1731320113 | 13-14 | SPP 13BA | 1731320213 | |
| SPP 14GA | 1731320114 | 14-15 | SPP 14BA | 1731320214 | |
| SPP 15GA | 1731320115 | 15-16 | SPP 15BA | 1731320215 | |
| SPP 16GA | 1731320116 | 16-17 | SPP 16BA | 1731320216 | |
| | | ◻◻ | | | |
| SPP 2x2GA | 1731320304 | 2 x 2 | SPP 2x2BA | 1731320404 | 10 |
| SPP 2x3GA | 1731320306 | 2 x 3 | SPP 2x3BA | 1731320406 | |
| SPP 2x4GA | 1731320308 | 2 x 4 | SPP 2x4BA | 1731320408 | |
| SPP 2x5GA | 1731320310 | 2 x 5 | SPP 2x5BA | 1731320410 | |
| SPP 2x6GA | 1731320312 | 2 x 6 | SPP 2x6BA | 1731320412 | |
| SPP 2x7GA | 1731320314 | 2 x 7 | SPP 2x7BA | 1731320414 | |
| SPP 2x8GA | 1731320316 | 2 x 8 | SPP 2x8BA | 1731320416 | |
| | | ◻◻◻ | | | |
| SPP 4x2GA | 1731320318 | 4 x 2 | SPP 4x2BA | 1731320418 | 10 |
| SPP 4x3GA | 1731320320 | 4 x 3 | SPP 4x3BA | 1731320420 | |
| SPP 4x4GA | 1731320322 | 4 x 4 | SPP 4x4BA | 1731320422 | |
| SPP 4x5GA | 1731320324 | 4 x 5 | SPP 4x5BA | 1731320424 | |
| SPP 4x6GA | 1731320326 | 4 x 6 | SPP 4x6BA | 1731320426 | |

The SPP grommets enable several cables from 2 to 17 mm diameter to be installed in the DES splittable frame.

The 2X and 4X* versions allow multiple cables in the same grommet.

SPP ATEX series can be used in zone 2 and 22 according to IEC 60079-10.

Technical data

Material: TPE

Flammability: self-extinguishing acc. to UL94-V0 (grey or black)

Temperature: -40°C... +110°C (static)

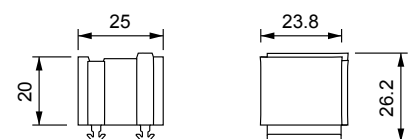
Features: halogens and silicones free

Related products

| | | |
|--------|-----------|----------|
| DES 24 | DESPRED | DES 16M |
| DES 16 | DESCCLICK | DES 16MX |
| DES 10 | DES 24M | |
| DES Q | DES 24MX | |



Dimensions [mm]



* Indoor only

7

DES grommets with extended range - for cables without connectors

- ▶ Diameters from 2,5 to 16,5 mm
- ▶ "Blind" pierceable grommets
- ▶ Grey and black colours available
- ▶ UL94-V0 for both colours



Double parallel membrane



| Model | Code | Ø Cable min/max [mm] | Model | Code | Pcs /pack |
|----------|------------|----------------------|----------|------------|-----------|
| | | "blind" | | | |
| SPP K0GA | 1731321100 | "blind" | SPP K0BA | 1731323100 | 10 |
| SPP K1GA | 1731321110 | 2,5/7 | SPP K1BA | 1731323110 | |
| SPP K2GA | 1731321115 | 4,5/10 | SPP K2BA | 1731323115 | |
| SPP K3GA | 1731321120 | 7,5/12,5 | SPP K3BA | 1731323120 | |
| SPP K4GA | 1731321125 | 9/14 | SPP K4BA | 1731323125 | |

The SPP K grommets have a dual function: they can be used as "blind" grommets for future application of single cable without connector or they can be used as single grommet for one cable without connector. The cable size can be chosen between 4 solutions from 2,5 a 16,5 mm diameter.

The double membrane ensures the highest water and dust protection.

SPP K ATEX series can be used in zone 2 and 22 according to IEC 60079-10.

Technical data

Material: TPE

Flammability: self-extinguishing acc. to UL94-V0 (grey or black)

Temperature: -40°C... +110°C (static)

Features: halogens and silicones free

Related products

| | | |
|--------|----------|----------|
| DES 24 | DESPRED | DES 16M |
| DES 16 | DESCLICK | DES 16MX |
| DES 10 | DES 24M | |
| DES Q | DES 24MX | |

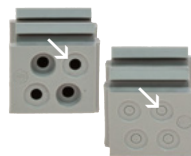
SPP M ATEX

DES multiple grommets with extended range for cables without connectors

- ▶ Cable diameter max. 7 mm
- ▶ "Blind" pierceable grommets
- ▶ Grey and black colours available
- ▶ UL94-V0 for both colours

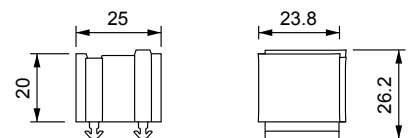


Double parallel membrane



| Model | Code | Cable nr. - Ø cable [mm] | Model | Code | Pcs /pack |
|-----------|------------|--------------------------|-----------|------------|-----------|
| | | | | | |
| SPP M4GA | 1731320504 | 4 – max. 6 | SPP M4BA | 1731320604 | 10 |
| SPP M4bGA | 1731320505 | 2 – max. 3 2 – max. 7 | SPP M4bBA | 1731320605 | |

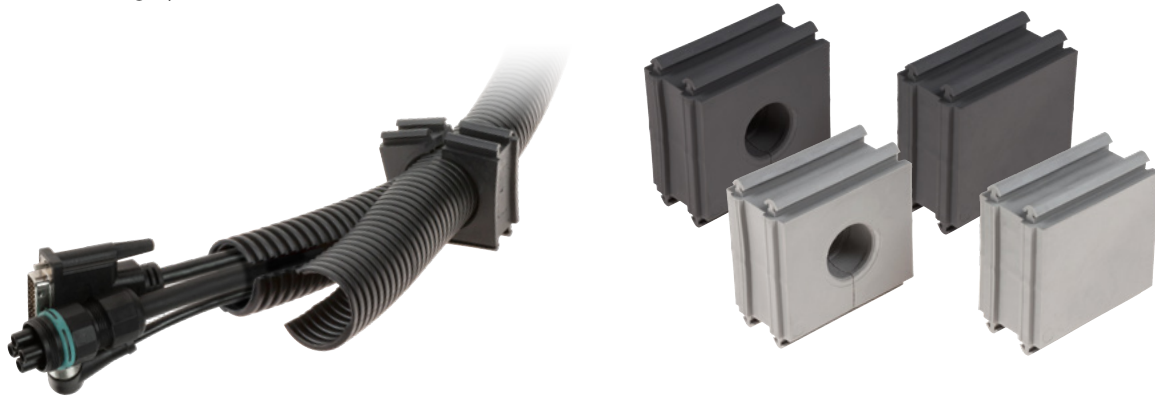
Dimensions [mm]





DES grommets - large

- ▶ Grommets for cables with and without connectors or for corrugated pipes from 17 to 35 mm diameter
- ▶ 2 blind versions available
- ▶ UL94-V0 for both grey and black



| Model | Code | Ø Cable [mm] | Model | Code | Pcs /pack |
|----------|------------|--------------|----------|------------|-----------|
| | | | | | |
| SPG 0GA | 1731322000 | "blind" | SPG 0BA | 1731322020 | 10 |
| SPG 17GA | 1731322117 | 17-18 | SPG 17BA | 1731322217 | |
| SPG 18GA | 1731322118 | 18-19 | SPG 18BA | 1731322218 | |
| SPG 19GA | 1731322119 | 19-20 | SPG 19BA | 1731322219 | |
| SPG 20GA | 1731322120 | 20-21 | SPG 20BA | 1731322220 | |
| SPG 21GA | 1731322121 | 21-22 | SPG 21BA | 1731322221 | |
| SPG 22GA | 1731322122 | 22-23 | SPG 22BA | 1731322222 | |
| SPG 23GA | 1731322123 | 23-24 | SPG 23BA | 1731322223 | |
| SPG 24GA | 1731322124 | 24-25 | SPG 24BA | 1731322224 | |
| SPG 25GA | 1731322125 | 25-26 | SPG 25BA | 1731322225 | |
| SPG 26GA | 1731322126 | 26-27 | SPG 26BA | 1731322226 | |
| SPG 27GA | 1731322127 | 27-28 | SPG 27BA | 1731322227 | |
| SPG 28GA | 1731322128 | 28-29 | SPG 28BA | 1731322228 | |
| SPG 29GA | 1731322129 | 29-30 | SPG 29BA | 1731322229 | |
| SPG 30GA | 1731322130 | 30-31 | SPG 30BA | 1731322230 | |
| SPG 31GA | 1731322131 | 31-32 | SPG 31BA | 1731322231 | |
| SPG 32GA | 1731322132 | 32-33 | SPG32BA | 1731322232 | |
| SPG 33GA | 1731322133 | 33-34 | SPG33BA | 1731322233 | |
| SPG 34GA | 1731322134 | 34-35 | SPG34BA | 1731322234 | |

The SPG grommets are designed for cables with or without connectors or for corrugated pipes with diameter from 17 to 35mm.

SPG ATEX series can be used in zone 2 and 22 according to IEC 60079-10.

Technical data

Material: TPE

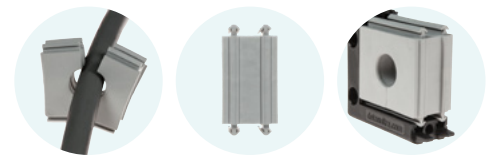
Flammability: self-extinguishing acc. to UL94-V0 (grey or black)

Temperature: -40°C... +110°C (static)

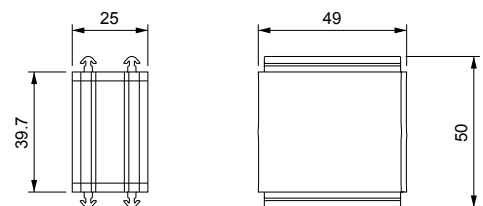
Features: halogens and silicones free

Related products

| | | |
|--------|-----------|----------|
| DES 24 | DESPRED | DES 16M |
| DES 16 | DESCCLICK | DES 16MX |
| DES 10 | DES 24M | |
| DES Q | DES 24MX | |



Dimensions [mm]



IP66

NEMA 12, 4X

UL TYPE 12, 4X



ECOLAB



RoHS COMPLIANT



DES grommets - large - for cables without connectors - double membrane

- ▶ K1, K2 e K3 for sigle cables with diameters from 16 to 30 mm
- ▶ K0 blind grommet
- ▶ IP66 for SPG K1, K2 and K3



| Model | Code | Ø Cable [mm] | Model | Code | Pcs /pack |
|----------|------------|--------------|----------|------------|-----------|
| | | | | | |
| SPG K0GA | 1731322300 | max. 32 | SPG K0BA | 1731322400 | 10 |
| SPG K1GA | 1731322310 | 16-22 | SPG K1BA | 1731322410 | |
| SPG K2GA | 1731322320 | 23 - 26 | SPG K2BA | 1731322420 | |
| SPG K3GA | 1731322330 | 26 - 30 | SPG K3BA | 1731322430 | |

The SPG K are blind grommets which can be also used for cables without connectors with diameter from 16 to 30mm.

The SPG K0 can be perforated but the IP protection is not guaranteed.

Thanks to the double membrane in the SPG K1-K2-K3 grommets an optimal dust and water protection are achieved.

SPG K ATEX series can be used in zone 2 and 22 according to IEC 60079-10.

Technical data

Material: TPE

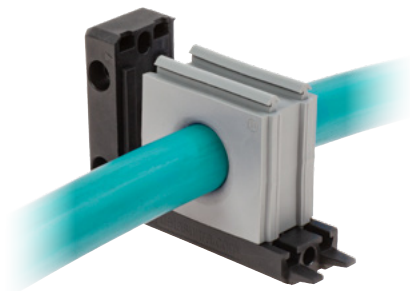
Flammability: self-extinguishing acc. to UL94-V0 (grey or black)

Temperature: -40°C... +110°C (static)

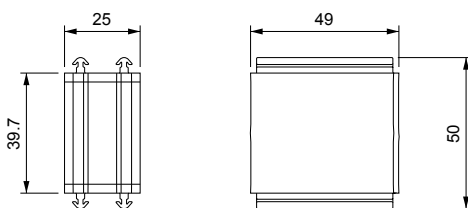
Features: halogens and silicones free

Related products

| | | |
|--------|----------|----------|
| DES 24 | DESPRED | DES 16M |
| DES 16 | DESLICK | DES 16MX |
| DES 10 | DES 24M | |
| DES Q | DES 24MX | |



Dimensions [mm]

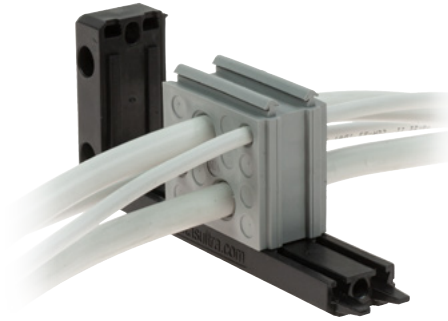
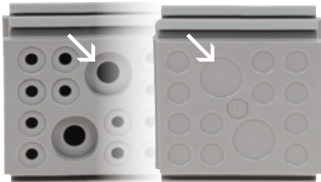




DES grommets - large - for cables without connectors - double membrane

- ▶ Multiple grommets for high number of cables without connectors
- ▶ Grey and black colours available
- ▶ UL94-V0 for both colours
- ▶ Strain relief according to EN 62444

Double parallel membrane



| Model | Code | Cable nr. - Ø cable [mm] | Pcs /pack |
|-----------|------------|-----------------------------|--------------|
| SPG M7GA | 1731322307 | 4 - max. 13,5 | 10 |
| SPG M7BA | 1731322407 | 2 - max. 5 1 - max. 9,5 | |
| SPG M9GA | 1731322309 | 9 - max. 8,8 | |
| SPG M9BA | 1731322409 | | |
| SPG M14GA | 1731322314 | 12 - max. 6,5 | |
| SPG M14BA | 1731322414 | 2 - max. 12 | |
| SPG M15A | 1731322315 | 15 - max. 7 | |
| SPG M15BA | 1731322415 | | |

The SPG M grommets enable a high number of cables to be installed in the DES splittable frames.

The cable is pushed through the front membrane, whilst the second membrane increases the strain relief and liquid resistance.

SPG M ATEX series can be used in zone 2 and 22 according to IEC 60079-10.

Technical data

Material: TPE

Flammability: self-extinguishing acc. to UL94-V0 (grey or black)

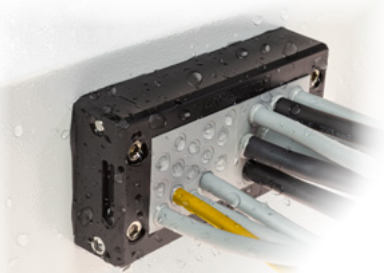
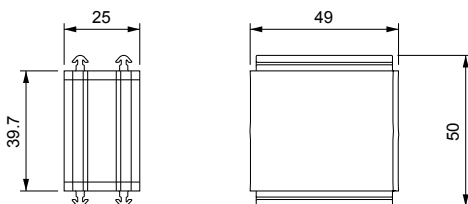
Temperature: -40°C... +110°C (static)

Features: halogens and silicones free

Related products

| | | |
|--------|----------|----------|
| DES 24 | DESPRED | DES 16M |
| DES 16 | DESCLICK | DES 16MX |
| DES 10 | DES 24M | |
| DES Q | DES 24MX | |

Dimensions [mm]



IP66

NEMA 12, 4X

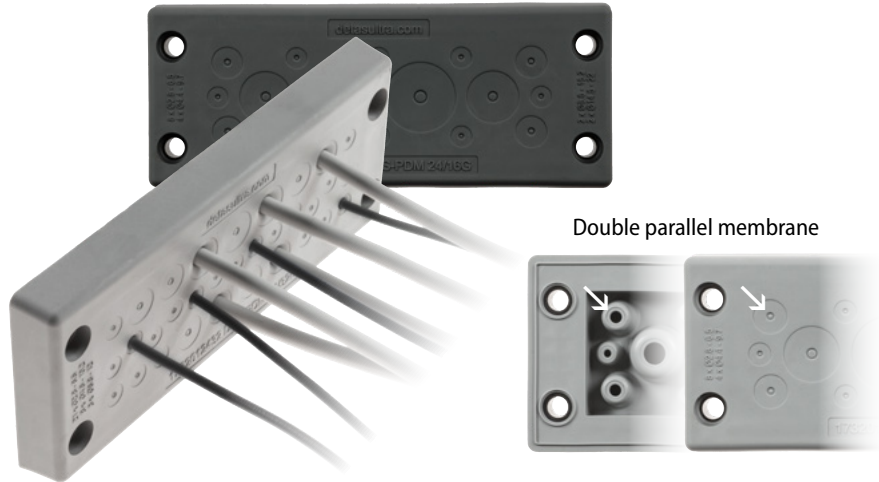


ECOLAB



Cable entry plates with internal frame and double membrane

- ▶ For large number of cables without connectors
- ▶ High strain relief thanks to the double membrane
- ▶ Cost efficient solution
- ▶ IP66 and Nema 4X* certified
- ▶ Threaded inserts or plastic rivets version on request



| Model | Code | Cable nr. - Ø cable min/max [mm] | Dimensions [mm] | | Pcs /pack |
|------------------|------------|-------------------------------------|-----------------|-----------------|--------------|
| | | | Cut-out | Plate | |
| DES PDM 24A/14G | 1732312414 | 10 - 2,8 / 6,5 | 112 x 36 | 148,6 x 59,6 | 10 |
| DES PDM 24A/14B | 1732313414 | 4 - 14,5 / 22 | | | |
| DES PDM 24A/15G | 1732312415 | 15 - 6,8 / 12 | | | |
| DES PDM 24A/15B | 1732313415 | | | | |
| DES PDM 24A/16G | 1732312416 | 8 - 2,8 / 6,5 4 - 4,4 / 9,7 | | | |
| DES PDM 24A/16B | 1732313416 | 2 - 8,6 / 16,2 2 - 14,5 / 22 | | | |
| DES PDM 24A/17G | 1732312417 | 6 - 2,8 / 6,5 6 - 4,6 / 10,2 | | | |
| DES PDM 24A/17B | 1732313417 | 5 - 8,6 / 16,2 | | | |
| DES PDM 24A/25G | 1732312425 | 12 - 2,8 / 6,5 7 - 4,4 / 9,7 | | | |
| DES PDM 24A/25B | 1732313425 | 6 - 6,8 / 12 | | | |
| DES PDM 24A/32G | 1732312432 | 21 - 2,8 / 6,5 8 - 4,6 / 10,2 | | | |
| DES PDM 24A/32B | 1732313432 | 3 - 6,8 / 12 | | | |
| DES PDM 24A/42G | 1732312442 | 42 - 2,8 / 6,5 | | | |
| DES PDM 24A/42B | 1732313442 | | | | |
| DES PDM 24A/124G | 1732312445 | 120- 1,75/4,7 4- 2,3/6 | | | |

The DES PDM 24 is an innovative alternative to standard cable glands on electrical, electronic and telecommunication cabinets and equipment.

The cable is pushed through the front membrane, whilst the second membrane increases the strain relief and liquid resistance.

DES PDM 24 ATEX series can be used in zone 2 and 22 according to IEC 60079-10.

Technical data

Material: TPE

Flammability: self-extinguishing acc. to UL94-V0

Temperature: -40°C... +110°C (static)

Features: halogens and silicones free

Related products

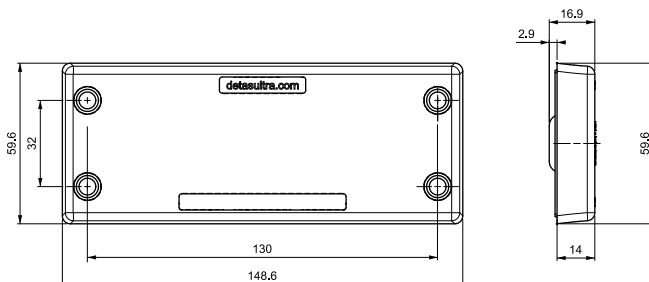
HY360 hydraulic punch driver

IFP plugs

PF/PFX cable entry system plates

DES PDM caps

Dimensions [mm]



* Indoor only



DES PDM S ATEX



Cable entry plates with internal frame and double membrane

- ▶ For several number of cables in a limited space
- ▶ High strain relief thanks to the double membrane
- ▶ Cost efficient solution
- ▶ High IP grade (IP66)
- ▶ Threaded inserts or plastic rivets version on request



Double parallel membrane



| Model | Code | Cable nr. - Ø cable min/max [mm] | Dimensions [mm] | | Pcs /pack |
|--------------------|------------|-------------------------------------|-----------------|--------|--------------|
| | | | Cut-out | Plate | |
| DES PDM S 112A/7G | 1732321127 | 7 - 6,8 / 12 | 112x18 | 150x32 | 10 |
| DES PDM S 112A/22G | 1732321122 | 22 - 3,2 / 6,5 | | | |
| DES PDM S 112A/7B | 1732322127 | 7 - 6,8 / 12 | | | |
| DES PDM S 112A/22B | 1732322122 | 22 - 3,2 / 6,5 | | | |

The DES PDM S is an innovative alternative to standard cable glands on electrical, electronic and telecommunication cabinets and equipment.

The cable is pushed through the front membrane, whilst the second membrane increases the strain relief and liquid resistance.

DES PDM S ATEX series can be used in zone 2 and 22 according to IEC 60079-10.

Technical data

Material: TPE

Flammability: self-extinguishing acc. to UL94-V0

Temperature: -40°C... +110°C (static)

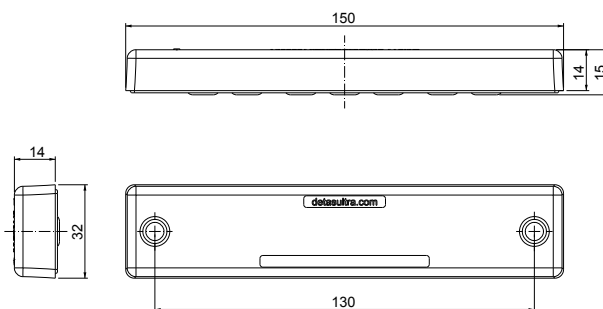
Features: halogens and silicones free

Related products

IFP plugs

DES PDM caps

Dimensions [mm]



IP66

NEMA 12

UL TYPE 12



ECOLAB

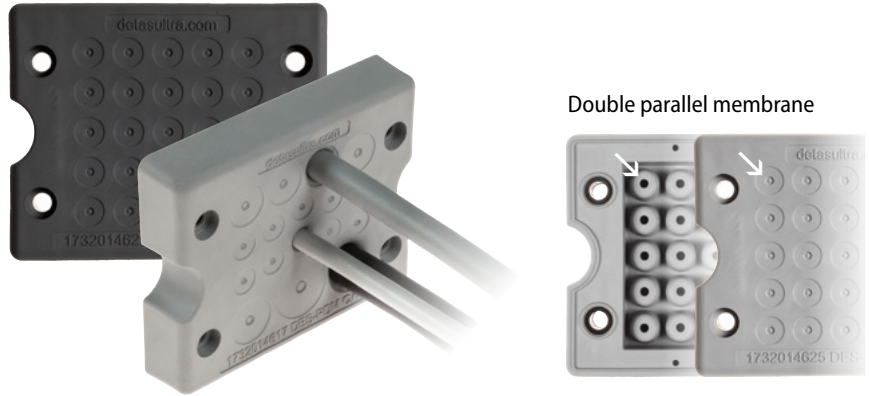


RoHS COMPLIANT



Cable entry plates with internal frame and double membrane

- ▶ For large number of cables without connectors
- ▶ High strain relief thanks to the double membrane
- ▶ Cost efficient solution
- ▶ IP66 and Nema 4X* certified
- ▶ Threaded inserts or plastic rivets version on request



| Model | Code | Cable nr. - Ø cable min/max [mm] | Dimensions [mm] | | Pcs /pack |
|----------------|------------|--|-----------------|-------|--------------|
| | | | Cut-out | Plate | |
| DES PDM Q 13GA | 1732314613 | 8 - 2,8 / 6,5 4 - 4,6 / 10,2 1 - 14,5 / 22 | 46 x 46 | 74x60 | 10 |
| DES PDM Q 17GA | 1732314617 | 10 - 2,8 / 6,5 4 - 4,6 / 10,2 2 - 6,8 / 12 1 - 8,6 / 16,2 | | | |
| DES PDM Q 25GA | 1732314625 | 25 - 2,8 / 6,5 | | | |
| DES PDM Q 13BA | 1732315614 | 8 - 2,8 / 6,5 4 - 4,6 / 10,2 1 - 14,5 / 22 | | | |
| DES PDM Q 17BA | 1732315618 | 10 - 2,8 / 6,5 4 - 4,6 / 10,2 2 - 6,8 / 12 1 - 8,6 / 16,2 | | | |
| DES PDM Q 25BA | 1732315626 | 25 - 2,8 / 6,5 | | | |

The DES PDM Q is an innovative alternative to standard cable glands on electrical, electronic and telecommunication cabinets and equipment.

The cable is pushed through the front membrane, whilst the second membrane increases the strain relief and liquid resistance.

DES PDM Q ATEX series can be used in zone 2 and 22 according to IEC 60079-10.

Technical data

Material: TPE

Flammability: self-extinguishing acc. to UL94-V0

Temperature: -40°C... +110°C (static)

Features: halogens and silicones free

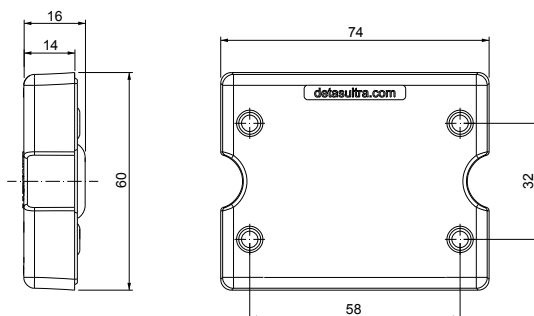
Related products

HY360 hydraulic punch driver

IFP plugs

DES PDM caps

Dimensions [mm]



* Indoor only

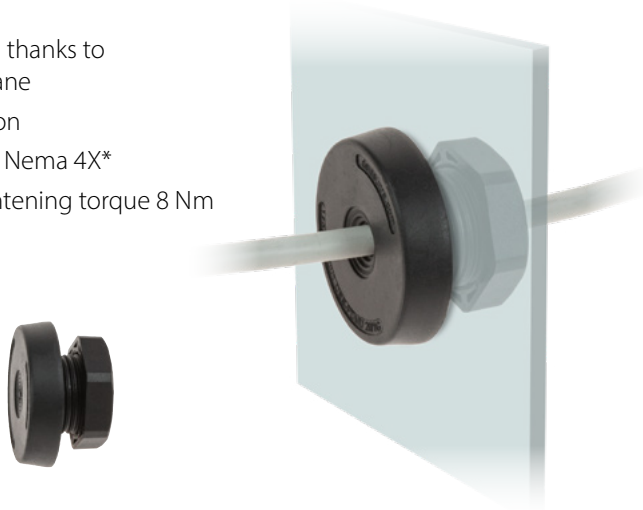


DES PDMU ATEX



Round cable entry plates for single cable - internal frame and double membrane

- ▶ Metric sized
- ▶ High retaining force thanks to the double membrane
- ▶ Cost efficient solution
- ▶ High IP grade (IP66) Nema 4X*
- ▶ Recommended tightening torque 8 Nm



Double parallel membrane



| Model | Code | Cable nr. - Ø cable [mm] | Dimensions [mm] | | | Pcs /pack |
|---------------|------------|-----------------------------|-----------------|-----------|---------|--------------|
| | | | Thread | Ø Cut-out | Ø Plate | |
| DES PDMU 20GA | 1732330120 | 1 - max. 10,5 | M20 | 20,5 | 36 | 10 |
| DES PDMU 25GA | 1732330125 | 1 - max. 16 | M25 | 25,5 | 40 | |
| DES PDMU 32GA | 1732330132 | 1 - max. 22 | M32 | 32,5 | 46 | |
| DES PDMU 20BA | 1732331120 | 1 - max. 10,5 | M20 | 20,5 | 36 | |
| DES PDMU 25BA | 1732331125 | 1 - max. 16 | M25 | 25,5 | 40 | |
| DES PDMU 32BA | 1732331132 | 1 - max. 22 | M32 | 32,5 | 46 | |

The cable entry plates series DES PDMU are used to save space and time as alternative to cable glands. They use the metric holes on cabinets or machinery and the nutlock guarantees a strong strain relief and highest water and dust protection.

The cable is pushed through the front membrane, whilst the second membrane increases the strain relief and liquid resistance.

DES PDMU ATEX series can be used in zone 2 and 22 according to IEC 60079-10.

Technical data

Material: TPE

Flammability: self-extinguishing acc. to UL94-V0

Temperature: -40°C... +110°C (static)

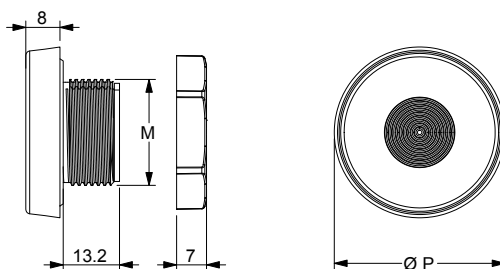
Features: halogens and silicones free

Related products

HY360 hydraulic punch driver

IFP plugs

Dimensions [mm]



7

* Indoor only



IP66

up to
NEMA
12, 4X

UL TYPE
12, 4X



ECOLAB

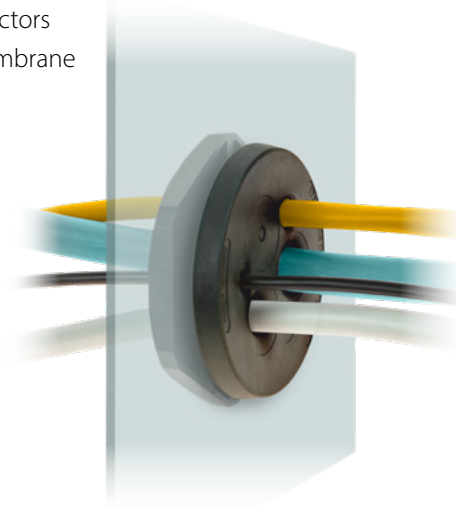


ROHS
COMPLIANT



Round cable entry plates with internal frame and double membrane

- ▶ For large number of cables without connectors
- ▶ High strain relief thanks to the double membrane
- ▶ Cost-effective solution
- ▶ High IP grade (IP66-68), Nema 4X*
- ▶ Recommended tightening torque 8Nm



Double parallel membrane



| Model | Code | Cable nr. - Ø cable min/max [mm] | Thread x1.5 | Dimensions Ø P [mm] | Pcs /pack |
|---------------------|------------|-------------------------------------|----------------|------------------------|--------------|
| ● DES PDM M32A/4G | 1732333204 | 3 - 2,6 / 6,5 | M32 | 46 | 10 |
| ● DES PDM M32A/4B | 1732334205 | 1 - 5,5 / 12,5 | | | |
| ● DES PDM M32A/4-2G | 1732333242 | 4 - 3,5 / 8,8 | | | |
| ● DES PDM M32A/4-2B | 1732334252 | | | | |
| ● DES PDM M32A/7G | 1732333207 | 7 - 2,6 / 6,5 | M40 | 54 | |
| ● DES PDM M32A/7B | 1732334208 | | | | |
| ● DES PDM M40A/8G | 1732334008 | 4 - 2,6 / 6,5 | M40 | 54 | |
| ● DES PDM M40A/8B | 1732335009 | 4 - 4 / 10,2 | | | |
| ● DES PDM M50A/8G | 1732335008 | 5 - 4,6 / 10,2 | M50 | 64 | |
| ● DES PDM M50A/8B | 1732336009 | 3 - 6,8 / 12,5 | | | |
| ● DES PDM M50A/10G | 1732335010 | 7 - 2,8 / 6,5 | | | |
| ● DES PDM M50A/10B | 1732336011 | 2 - 4,6 / 10,2 1 - 14,5 / 22 | | | |
| ● DES PDM M50A/12G | 1732335012 | 4 - 2,8 / 6,5 | M50 | 64 | |
| ● DES PDM M50A/12B | 1732336013 | 8 - 4,6 / 10,2 | | | |
| ● DES PDM M50A/19G | 1732335019 | 19 - 2,8 / 6,5 | M50 | 64 | |
| ● DES PDM M50A/19B | 1732336020 | | | | |
| ● DES PDM M63A/6G | 1732336306 | 3 - 4,6 / 10,2 | M63 | 77 | |
| ● DES PDM M63A/6B | 1732337307 | 3 - 10,9 / 20 | | | |
| ● DES PDM M63A/9G | 1732336309 | 1 - 2,6 / 6 3 - 4,6 / 10,2 | | | |
| ● DES PDM M63A/9B | 1732337310 | 4 - 8,6 / 16,2 1 - 10,9 / 20 | | | |
| ● DES PDM M63A/13G | 1732336313 | 4 - 2,8 / 6 | M63 | 77 | |
| ● DES PDM M63A/9B | 1732337310 | 4 - 4,6 / 10,2 5 - 9,5 / 16,2 | | | |
| ● DES PDM M63A/14G | 1732336314 | 14 - 5 / 10 | M63 | 77 | |
| ● DES PDM M63A/14B | 1732337315 | | | | |
| ● DES PDM M63A/35G | 1732336335 | 35 - 2,6 / 5,5 | M63 | 77 | |
| ● DES PDM M63A/35B | 1732337336 | | | | |

The cable entry plates series DES PDMU are used to save space and time as alternative to cable glands. They use the metric holes on cabinets or machinery and the nutlock guarantees a strong strain relief and highest water and dust protection.

The cable is pushed through the front membrane, whilst the second membrane increases the strain relief and liquid resistance.

DES PDM M ATEX series can be used in zone 2 and 22 according to IEC 60079-10.

Technical data

Material: TPE

Flammability: self-extinguishing acc. to UL94-V0

Temperature: -40°C... +110°C (static)

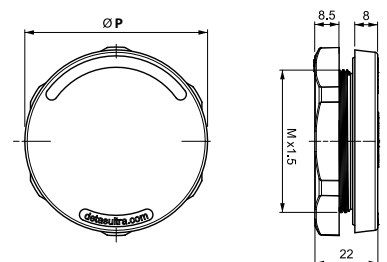
Features: halogens and silicones free

Related products

HY360 hydraulic punch driver

IFP plugs

Dimensions [mm]



* Indoor only



IP66
IP68

NEMA
12, 4X

UL TYPE
12, 4X



ECOLAB



ROHS
COMPLIANT



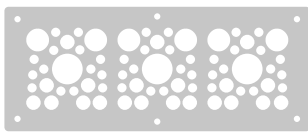


DES PDM KN ATEX

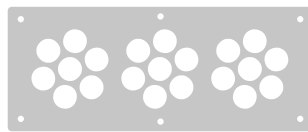


Cable entry plate - large frame and double membrane

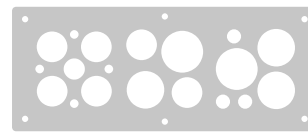
- ▶ For up to 72 cables without connectors
- ▶ High strain relief thanks to the double membrane
- ▶ Internal reinforcing frame
- ▶ Cost efficient solution
- ▶ High IP grade (IP66)



KN/72



KN/21



KN/19

| Model | Code | Cable nr. - Ø cable min/max [mm] | Dimensions [mm] | | Pcs /pack |
|-----------------|------------|---|-----------------|----------|--------------|
| | | | Cut-out | Plate | |
| DES PDM KN/72GA | 1732340072 | 42 - 2,8 / 6,5 21 - 4,6 / 10,2 | 192 x 62 | 221 x 90 | 1 |
| DES PDM KN/72BA | 1732341073 | 6 - 8,6 / 16,2 3 - 14,5 / 22 | | | |
| DES PDM KN/21GA | 1732340021 | 21 - 9,5 / 17 | | | |
| DES PDM KN/21BA | 1732341022 | | | | |
| DES PDM KN/19GA | 1732340019 | 4 - 3 / 6 3 - 5 / 10 1 - 9 / 15 | | | |
| DES PDM KN/19BA | 1732341020 | 6 - 14 / 22 3 - 19 / 27 2 - 22 - 30 | | | |

The DES PDM KN are multi cable entry plates suitable for cabinet side or bottom. According to cable size and quantities it is possible to find the right model.

The fixing holes are for Rittal cabinets.

The cable is pushed through the front membrane, whilst the second membrane increases the strain relief and liquid resistance.

DES PDM KN ATEX series can be used in zone 2 and 22 according to IEC 60079-10.

Technical data

Material: TPE

Flammability: self-extinguishing acc. to UL94-V0

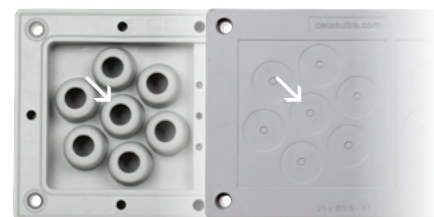
Temperature: -40°C... +110°C (static)

Features: halogens and silicones free

Related products

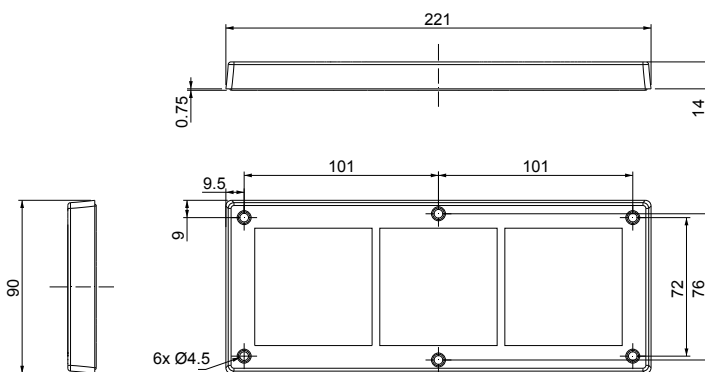
IFP plugs

DES PDM caps



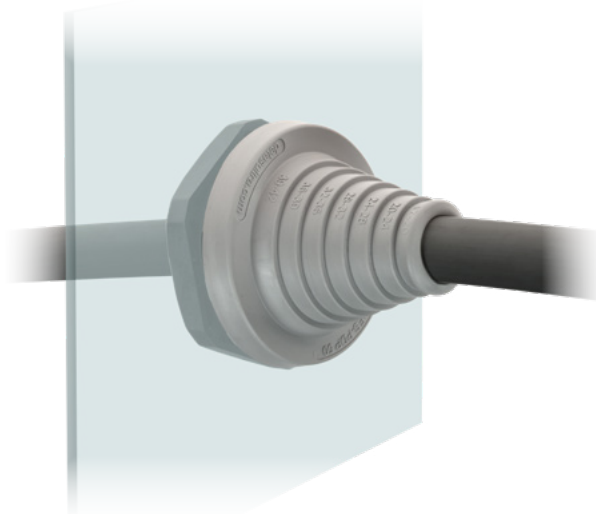
Double parallel membrane

Dimensions [mm]



Round base, cone-shaped cable entry plate with locknut

- ▶ For diameters from 2,5 to 64 mm
- ▶ Reinforcing base plate
- ▶ Cost efficient solution
- ▶ UL94-V0 for grey and black



| Model | Code | Cable nr. - Ø cable min/max [mm] | Thread x 1,5 | Dimensions [mm] | | | Pcs /pack |
|------------------|------------|-------------------------------------|-----------------|-----------------|-----|------|--------------|
| | | | | Cut-out | Ø P | H | |
| NEW DES PDP 25GA | 1732350025 | 1 - 2.5 / 17 | M25 | 25,5 | 39 | 46.5 | 10 |
| NEW DES PDP 32GA | 1732350032 | 1 - 5 / 23 | M32 | 32,5 | 46 | 55.2 | |
| DES PDP 40GA | 1732350040 | 1 - 8 / 29 | M40 | 40,5 | 54 | 62 | |
| DES PDP 50GA | 1732350050 | 1 - 17 / 42 | M50 | 50,5 | 64 | 50 | |
| DES PDP 63GA | 1732350063 | 1 - 23 / 55 | M63 | 63,5 | 77 | 62 | |
| NEW DES PDP 75GA | 1732350075 | 1 - 38 / 64 | M75 | 75,5 | 89 | 64 | |
| | | | | | | | |
| NEW DES PDP 25BA | 1732352025 | 1 - 2.5 / 17 | M25 | 25,5 | 39 | 46.5 | 10 |
| NEW DES PDP 32BA | 1732352032 | 1 - 5 / 23 | M32 | 32,5 | 46 | 55.2 | |
| DES PDP 40BA | 1732352040 | 1 - 8 / 29 | M40 | 40,5 | 54 | 62 | |
| DES PDP 50BA | 1732352050 | 1 - 17 / 42 | M50 | 50,5 | 64 | 50 | |
| DES PDP 63BA | 1732352063 | 1 - 23 / 55 | M63 | 63,5 | 77 | 62 | |
| NEW DES PDP 75BA | 1732352075 | 1 - 38 / 64 | M75 | 75,5 | 89 | 64 | |

The DES PDP is available in M25, M32, M40, M50, M63 and M75 sizes, enabling non-terminated cables with diameter from 2,5 to 64 mm to pass through the walls of the electrical cabinets.

The reinforcing base plate increases the stability when large cables are used.

DES PDP ATEX series can be used in zone 2 and 22 according to IEC 60079-10.

Technical data

Material: TPE

Flammability: self-extinguishing acc. to UL94-V0

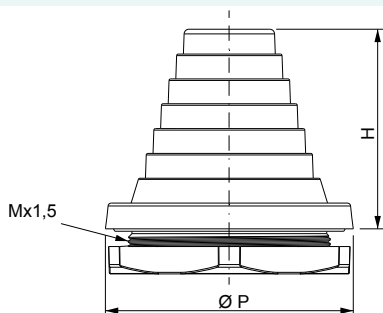
Temperature: -40°C... +110°C (static)

Features: halogens and silicones free

Related products

HY360 hydraulic punch driver

Dimensions [mm]



up to IP66

up to NEMA 12, 4X

UL TYPE 12



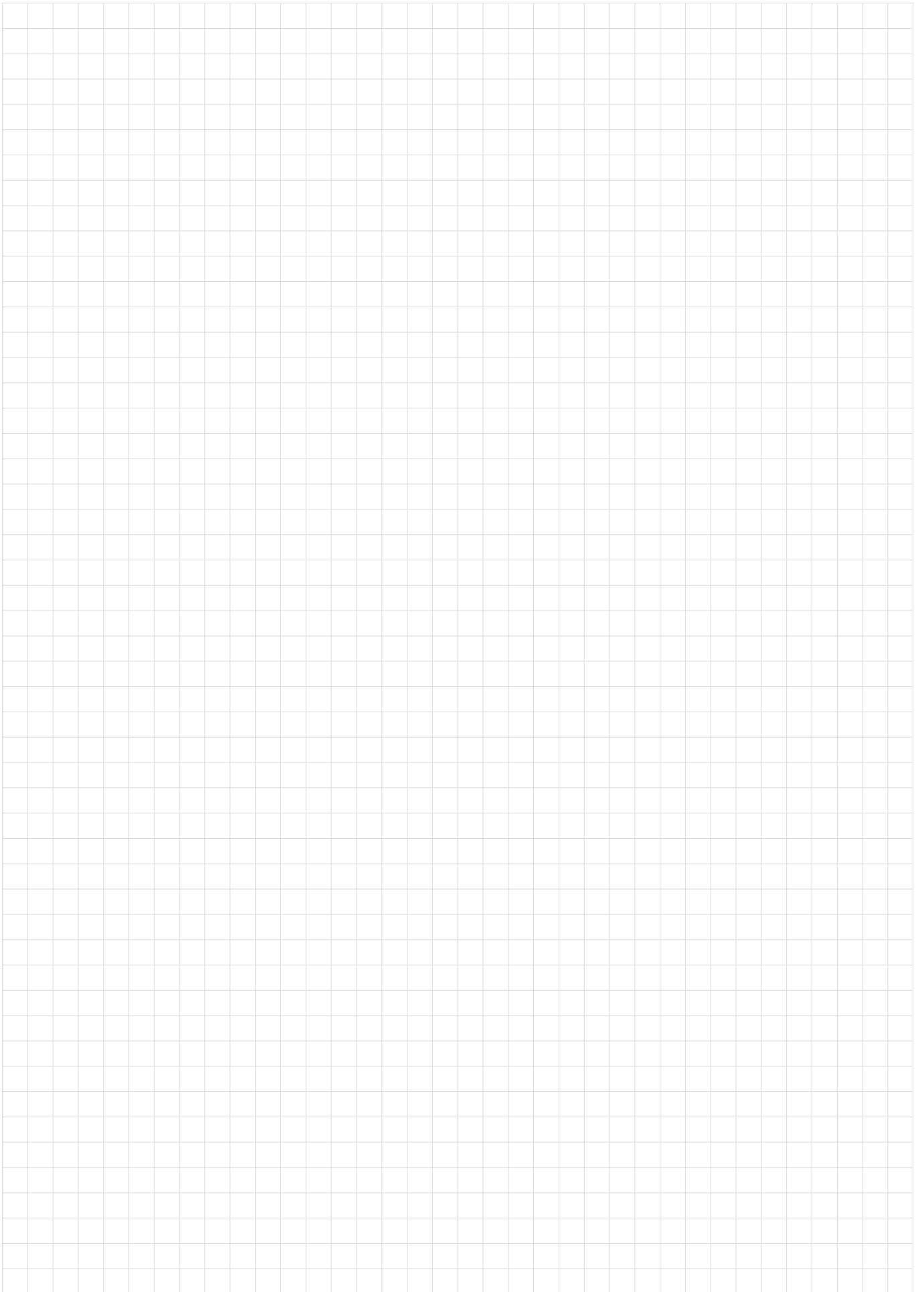
ECOLAB



ROHS COMPLIANT



NOTES



detasultra.com



DetasUltra is a division of

DETAS SpA

Via Treponti, 29

25086 Rezzato (BS)

Tel. +39 030 2594120

info@detasultra.com

ISO9001 / ISO14001 certified company

**SOLUTIONS AROUND
THE CABLE**